

RDX™ Series

Two-way Radios

User Guide



en-US

fr-CA

RDU4160d & RDU4163d Display Model

Open Source Software Legal Notices:

This Motorola Solutions product contains Open Source Software. For information regarding licenses, acknowledgements, required copyright notices and other usage terms, refer to the documentation for this Motorola Solutions product at:

<http://businessonline.motorolasolutions.com>

Go to: Resource Center > Product Information > Manual > Accessories.

Informations juridiques relatives aux logiciels libres :

Ce produit Motorola Solutions contient des logiciels libres. Pour obtenir des renseignements relatifs aux licences, aux attestations, aux avis de droits d'auteur requis et à d'autres conditions d'utilisation, reportez-vous à la documentation concernant ce produit Motorola Solutions à l'adresse suivante :

<http://businessonline.motorolasolutions.com>

Allez à l'adresse Resource Center > Product Information > Manual > Accessories.

CONTENTS

Contents	1
Product Safety	5
Introduction	6
Package Contents	6
FCC Licensing Information	7
Interference Information	7
Canada Licensing Information	9
General Information	9
The License Application	9
Batteries and Chargers Safety Information	10
Operational Safety Guidelines	11
Radio Overview	12
Parts Of The Radio	12
On/Off/Volume Knob	13
Channel Selector Knob	13
Accessory Connector	13
Model Label	13
Microphone	13
Antenna	13
LED Indicator	13

Front Buttons	13
Side Buttons	14
The Lithium-Ion (Li-Ion) Battery	14
Battery Features	15
About the Li-Ion Battery	15
Battery Recycling and Disposal	16
Installing the Lithium-Ion (Li-Ion) Battery	17
Removing the Lithium-Ion (Li-Ion) Battery	17
Attaching the Antenna	18
Removing the Antenna	18
Installing Spring Action Belt clip	19
Power Supply, Adaptor and Drop-in Tray Charger	19
Battery Life Information	20
Charging the Battery	21
Drop-in Tray Charger LED Indicators	23
Estimated Charging Time	25
Multi-Unit Charger LED Indicators	27
Getting Started	28
Turning radio ON/OFF	28
Adjusting Volume	28

READING THE DISPLAY	28	Programming RX (Reception) codes (CTCSS/ DPL)	37
Selecting a Channel	28	Programming Scramble	38
Talking and Monitoring	29	Programming Maximum Number of Channels	38
Receiving a Call	29	Programming Call Tones	39
Signal strength indicator and channel busy indicators	29	Programming Microphone Gain Level	39
Talk Range	30	Programming Microphone Accessory Gain Level	40
Radio LED Indicators	31	Other Programming Features	41
Hands-Free Use/VOX	32	Scan	41
With Compatible VOX Accessories	32	Programming Scan List	41
Hands Free without Accessories (iVOX)	32	Programming Weather Channel (Not allowed on RDX4163)	42
Toggle Voice Prompt in User Mode	33	Editing Channel Alias Name	42
Power Up - Tone Mode	33	Nuisance Channel Delete	43
Reset to Factory Defaults	33	Customer Programming Software (CPS)	44
Keypad Beeps	33	Time-Out Timer	44
Keypad Lock/Unlock	33	Power Select	44
Menu Options	34	Call Tones	45
Setting VOX/iVOX Sensitivity	34	Scramble	45
Microphone Gain	35	Reverse Burst	45
Programming Features	36	Text-to-Speech (Changing Pre-Defined Voice	
Advanced Configuration Mode	36		
Entering Advanced Configuration Mode	36		
Programming RX (Reception) Frequencies	37		

Aliases)	45	Block Event	50
Enable User Pre-Defined Voice Prompt		Event Code	50
(VP) Checkbox	45	The Critical Events Table	50
User Pre-Defined Voice Prompt (VP) Text .		Geographic Filter	52
45		State	52
Import Voice File	45	County	52
Listen to User Customized Voice Prompt		FIPS	53
(VP) Text	46	Cloning Radios	53
Weather Feature (Not for RDU4163)	46	Cloning with a Multi Unit Charger	
Weather Alert Mode	47	(MUC)	53
Weather Channel Frequencies Table	47	Cloning Radio using the Radio to Radio	
The Weather Alert has two modes of operations		(R2R) Cloning Cable (Optional	
47		Accessory)	54
EOM Enabled	48	Cloning using the Customer Programming	
New Alert Tone Timer	48	Software (CPS)	57
Event Type Filter	48	Troubleshooting	58
All Events	49	Use and Care	62
Alert Test Event	49	Frequency and Code Charts	63
Warning	49	RDX UHF Frequencies Chart	63
Watch	49	RDU4163 – UHF Default Frequencies	
Emergency	49	Chart	63
Statement	50	RDX UHF Frequencies Chart	65
Event Code Filter	50	RDU4160 – UHF Default Frequencies	

Chart	68
Programming Customized Frequencies On RDU4160	69
CTCSS and PL/DPL Codes	70
Accessories	75
Antenna	75
Audio Accessories	75
Battery	75
Cables	75
Chargers	76
Carry Accessories	76
Software Applications	76
Power supplies ac pin adapters	76
Power supplies	76
Motorola Solutions Limited Warranty for the United States and Canada	77

PRODUCT SAFETY

PRODUCT SAFETY AND RF EXPOSURE COMPLIANCE



Caution

Before using this product, read the operating instructions and RF energy awareness information contained in the Product Safety and RF Exposure booklet enclosed with your radio.

ATTENTION!

This radio is restricted to occupational use only to satisfy FCC RF energy exposure requirements.

For a list of Motorola Solutions-approved antennas, batteries and other accessories, visit the following website which lists approved accessories:

www.motorolasolutions.com/RDX

INTRODUCTION

Thank you for purchasing the Motorola Solutions® RDX Series™ Radio. This radio is a product of Motorola Solutions' 80 plus years of experience as a world leader in the designing and manufacturing of communications equipment. The RDX Series radios provide cost-effective communications for businesses such as retail stores, restaurants, schools, construction sites, manufacturing, property and hotel management and more. Motorola Solutions professional two-way radios are the perfect communications solution for all of today's fast-paced industries.

Note: Read this user guide carefully to ensure you know how to properly operate the radio before use

PACKAGE CONTENTS

- Radio
- Antenna
- Lithium-Ion Battery
- Belt Clip
- Power Supply

- Quick Reference Guide
- Drop-in Tray Charger
- Product Safety & RF Exposure Booklet

For a copy of a large-print version of this user guide or for product-related questions, contact

1-800-448-6686 in the USA

1-800-461-4575 in Canada

1-888-390-6456 on TTY (Text Telephone)

For product related information, visit us at:

www.motorolasolutions.com/RDX

Or

Business Radios

RPSD 1C15, Motorola

8000 West Sunrise Boulevard

Plantation, Florida 33322

FCC LICENSING INFORMATION

INTERFERENCE INFORMATION

This device complies with Part 15 of the FCC Rules. Operation is subject to the condition that this device does not cause harmful interference.

RDX Series Business two-way radios operate on radio frequencies that are regulated by the Federal Communications Commission (FCC).

To transmit on these frequencies, you are required to have a license issued by the FCC. Application is made available on FCC Form 601 and Schedules D, H, and Remittance Form 159.

To obtain these FCC forms, request document 000601 which includes all forms and instructions. If you wish to have the document faxed, mailed or have questions, use the following contact information.

**Faxed contact the
Fax-On- Demand
system at:**

1-202-418-0177

Mailed call the FCC forms hotline at:

1-800-418-FORM
1-800-418-3676

**Questions regarding FCC
license contact the FCC at:**

1-888-CALL-FCC
1-888-225-5322
Or: <http://www.fcc.gov>

Before filling out your application, you must decide which frequency(ies) you can operate on. See “Frequencies and Code Charts”. For questions on determining the radio frequency, call Motorola Solutions Product Services at:

1-800-448-6686

Changes or modifications not expressly approved by Motorola Solutions may void the user’s authority granted by the FCC to operate this radio and should not be made. To comply with FCC requirements, transmitter adjustments should be made only by or under the supervision of a person certified as technically qualified to perform transmitter maintenance and repairs in the private land mobile and fixed services as certified by an organization representative of the user of those services.

Replacement of any transmitter component (crystal, semiconductor and more.) not authorized by the FCC equipment authorization for this radio could violate FCC rules.

Use of this radio outside the country where it was intended to be distributed is subject to government regulations and may be prohibited.

CANADA LICENSING INFORMATION

GENERAL INFORMATION

The operation of your Motorola Solutions radio is subject to the Radiocommunications Act and must comply with rules and regulations of the Federal Government's department of Industry Canada. Industry Canada requires that all operators using Private Land Mobile frequencies obtain a radio license before operating their equipment.

An application for your Industry Canada license is made on the form included with your radio. Additional forms and latest license application versions can be obtained from the nearest Industry Canada District office. A list of these offices is included for your information.

This device complies with Industry Canada's licence-exempt RSSs. Operation is subject to the following two conditions:

1. This device may not cause interference; and
2. This device must accept any interference, including interference that may cause undesired operation of the device.

THE LICENSE APPLICATION

General Instructions

1. Fill in the items as per the instructions. If you need additional space for any item use the reverse side of the application.
2. Be sure to use a typewriter or print legibly.
3. Make a copy for your files.
4. Prepare a cheque or money order made out to the "Receiver General for Canada", for an amount, which is on the following schedule, for each radio purchased. (License is valid until April 1st of each year, and the renewed.
5. Mail your completed application, along with your cheque or money order to the closest Industry Canada District office, according to the list on pages.

To obtain the latest Canadian License Application form, please go to:

www.ic.gc.ca

BATTERIES AND CHARGERS SAFETY INFORMATION

This document contains important safety and operating instructions. Read these instructions carefully and save them for future reference.

Before using the battery charger, read all the instructions and cautionary markings on

- the charger,
 - the battery, and
 - the radio using the battery
1. To reduce risk of injury, charge only the rechargeable Motorola Solutions-authorized batteries. Other batteries may explode, causing personal injury and damage.
 2. Use of accessories not recommended by Motorola Solutions may result in risk of fire, electric shock, or injury.

3. To reduce risk of damage to the electric plug and cord, pull by the plug rather than the cord when disconnecting the charger.
4. An extension cord should not be used unless absolutely necessary. Use of an improper extension cord could result in risk of fire and electric shock. If an extension cord must be used, make sure that the cord size is 18AWG for lengths up to 100 ft (30.48 m), and 16AWG for lengths up to 150 ft (45.72 m).
5. To reduce risk of fire, electric shock, or injury, do not operate the charger if it has been broken or damaged in any way. Take it to a qualified Motorola service representative.
6. Do not disassemble the charger; it is not repairable and replacement parts are not available. Disassembly of the charger may result in risk of electrical shock or fire.
7. To reduce risk of electric shock, unplug the charger from the AC outlet before attempting any maintenance or cleaning

OPERATIONAL SAFETY GUIDELINES

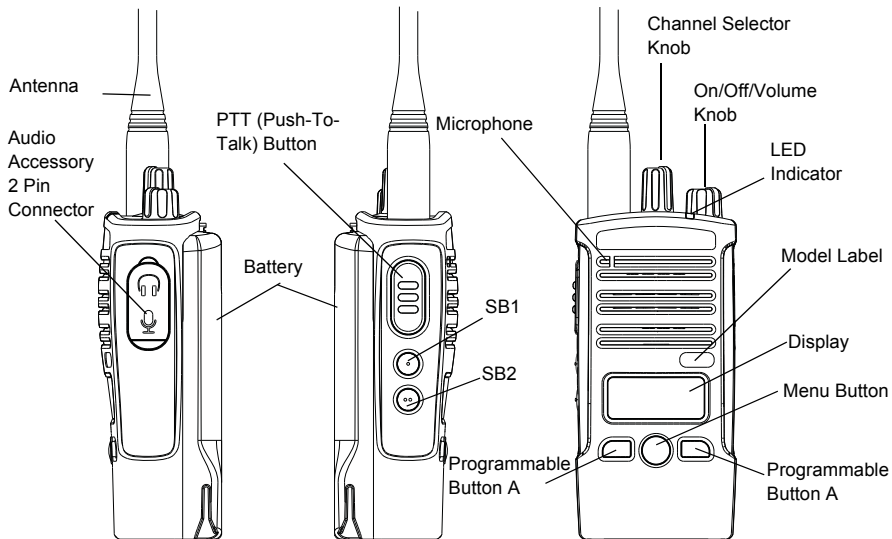
- Turn the radio OFF when charging battery.
- The charger is not suitable for outdoor use. Use only in dry locations/conditions.
- Connect charger only to an appropriately fused and wired supply of the correct voltage (as specified on the product).
- Disconnect charger from line voltage by removing main plug.
- The outlet to which this equipment is connected should be nearby and easily accessible.
- In equipment using fuses, replacements must comply with the type and rating specified in the equipment instructions.
- Maximum ambient temperature around the power supply equipment must not exceed 40 °C (104 °F).
- Power output from the power supply unit must not

exceed the ratings stated on the product label located at the bottom of the charger.

- Make sure that the cord is located where it will not be stepped on, tripped over, or subjected to water, damage, or stress.

RADIO OVERVIEW

PARTS OF THE RADIO



On/Off/Volume Knob

Used to turn the radio ON or OFF and to adjust the radio's volume.

Channel Selector Knob

Used to switch the radio to different channels.

Accessory Connector

Used to connect compatible audio accessories.

Model Label

Indicates the model of the radio.

Microphone

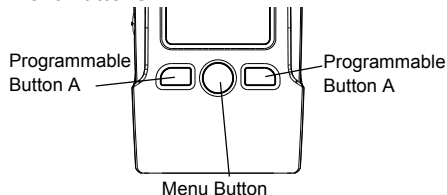
Speak clearly into the microphone when sending a message.

Antenna

For models **RDX4160** and **RDX4163** the antennas are removable.

LED Indicator

Used to give battery status, power-up status, radio call information and scan status.

Front Buttons**Menu Button**

- Gives access to set up features like VOX/iVOX levels, etc. It also allows you to move through all the features while in Programming Mode. Default set to preset Channel 1.

Programmable Button A

- Allows you to choose level or toggle options for features the Menu is on. Default set to generate current programmed call tone.

Programmable Button B

- Allows you to choose level or toggle options for features the Menu is on. Default set to Backlight Mode.

Note: A short press of either Programmable Button (A or B) tunes the radio to the preset

channel and the radio will play a good chirp. You can assign different functions to these buttons via the CPS. For example: Backlight Time Out, Reverse Burst, Scan/Nuisance Channel Delete, Monitor and Call Tones. To learn more about how to program these buttons, refer to “Advanced Configuration Mode” on page 36 and “Customer Programming Software (CPS)” on page 44.

SIDE BUTTONS

Push-to-Talk (PTT) Button

- Press and hold down this button to talk, release it to listen.

Side Button 1 (SB1)

- The Side Button 1 is a general button that can be configured by the Customer Programming Software - CPS. The default setting of SB1 is ‘Monitor’.

Side Button 2 (SB2)

- The Side Button 2 is a general button that can be configured by the CPS. The SB2 default setting is ‘Scan/Nuisance Channel Delete’.

The Lithium-Ion (Li-Ion) Battery

RDX Series comes with a Standard Capacity Li-Ion battery. Other batteries may be available. For more information, see “Battery Features” on page 15.

This User Guide covers multiple RDX Series models, and may detail some features your radio does not have. The radio’s model is shown on the bottom of the radio and provides the following information:

Table 1: RDX Series Radio Specifications

Model	Frequency Band	Transmit Power (W)	Number of Channels	Antenna
RDU4160	UHF	4	16	Removable
RDU4163	UHF	4	16	Removable

BATTERY FEATURES

RDX Series radios provide Lithium-Ion batteries that come in different capacities that defines the battery life.

About the Li-Ion Battery

The RDX Series radio comes equipped with a rechargeable Li-Ion battery. This battery should be fully charged before initial use to ensure optimum capacity and performance.

Battery life is determined by several factors. Among the more critical are the regular

overcharge of batteries and the average depth of discharge with each cycle. Typically, the greater the overcharge and the deeper the average discharge, the fewer cycles a battery will last. For example, a battery which is overcharged and discharged 100% several times a day, lasts fewer cycles than a battery that receives less of an overcharge and is discharged to 50% per day. Further, a battery which receives minimal overcharging and averages only 25% discharge, lasts even longer.

Motorola Solutions batteries are designed specifically to be used with a Motorola Solutions charger and vice versa. Charging in non-Motorola Solutions equipment may lead to battery damage and void the battery warranty. The battery should be at about 77 °F (25 °C) (room temperature), whenever possible. Charging a cold battery (below 50 °F [10 °C]) may result in leakage of electrolyte and ultimately in failure of the battery. Charging a hot battery (above 95 °F [35 °C]) results in reduced discharge capacity, affecting the performance of the radio. Motorola Solutions rapid-rate battery chargers contain a temperature-sensing circuit to ensure that batteries are charged within the temperature limits stated above.

Battery Recycling and Disposal

Li-Ion rechargeable batteries can be recycled. However, recycling facilities may not be available in all areas. Under various U.S. state laws and the laws of several other countries,

batteries must be recycled and cannot be disposed of in landfills or incinerators. Contact your local waste management agency for specific requirements and information in your area. Motorola Solutions fully endorses and encourages the recycling of Li-Ion batteries. In the U.S. and Canada, Motorola Solutions participates in the nationwide Rechargeable Battery Recycling Corporation (RBRC) program for Li-Ion battery collection and recycling.

Many retailers and dealers participate in this program. For the location of the drop-off facility closest to you, access RBRC's Internet web site at:

<http://www.call2recycle.org>

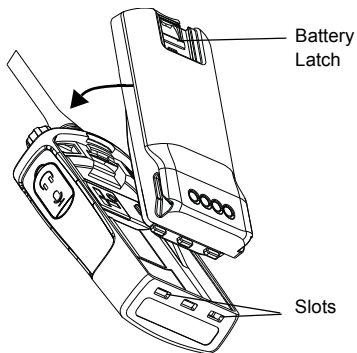
or call:

(877)723-1297

This internet site and telephone number also provides other useful information concerning

recycling options for consumers, businesses, and governmental agencies.

Installing the Lithium-Ion (Li-Ion) Battery

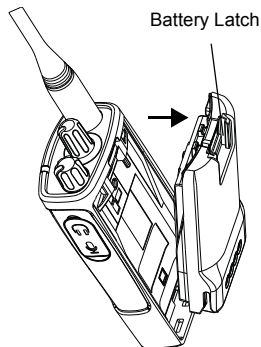


1. Turn OFF the radio.
2. With the Motorola Solutions logo side up on the battery pack, fit the tabs at the bottom of the battery into the slots at the bottom of the radio's body.
3. Press the top part of the battery towards the

radio until a click is heard.

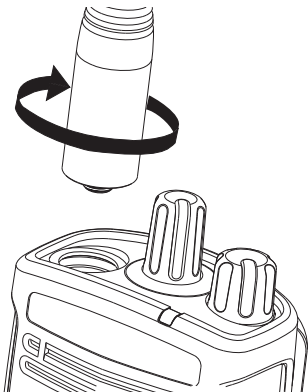
Note: To learn about the Li-Ion Battery Life features, refer to “About the Li-Ion Battery” on page 15

Removing the Lithium-Ion (Li-Ion) Battery



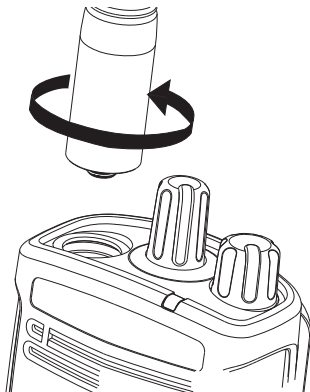
1. Turn OFF the radio.
2. Push down the battery latch and hold it while removing the battery.
3. Pull the battery away from the radio.

Attaching the Antenna



1. Align the threaded end of the antenna with the radio's antenna connector.
2. Turn the antenna clockwise to fasten it.

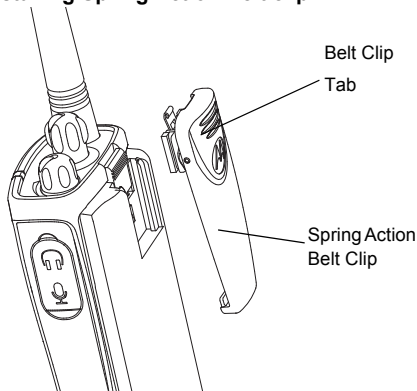
Removing the Antenna



1. Turn the antenna counter-clockwise until you can remove it.

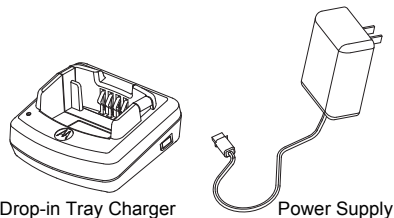
Note: These instructions apply **ONLY** to models RDU4100 and RDV5100. Do not attempt to remove the antenna if your radio is not one of these models.

Installing Spring Action Belt clip.



1. Slide the spring action belt clip rails into the belt clip grooves on the back of the battery pack and slide it down until the belt clip tab snaps into place.
2. To remove, pull back the metal release tab on the belt clip tab and push the spring action belt clip upward to remove.

Power Supply, Adaptor and Drop-in Tray Charger



The radio is equipped with one Drop-in Tray Charger and one Power Supply with Adaptor. For more information, refer to “Chargers” on page 76.

Battery Life Information

When the Battery Save feature is set to ON (enabled by default), the battery life lasts

longer. The following table summarizes battery life estimations:

Table 2: Li-Ion Battery Life with Battery Save feature ON

Battery Type	5 W	4 W
High Capacity	15 hr	15 hr

Note: Battery life is estimated based on 5% transmit / 5% receive / 90% standby standard duty cycle.

Charging the Battery

The RDX Series radio offers two types of Chargers:

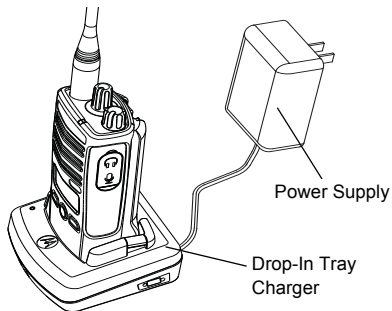
- Standard Charger and,
- Rapid Charger

Note: The radio comes with a Standard Power Supply.

To charge the battery (with the radio attached), place it in a Motorola Solutions-approved Drop-in Tray Single Unit Charger or Drop-in Tray Multi Unit Charger.

Note: When acquiring additional chargers or power supplies, make sure you have similar drop-in tray chargers and power supplies sets (all “rapid” or all “standard”). For part number details, refer to “Chargers” on page 76.

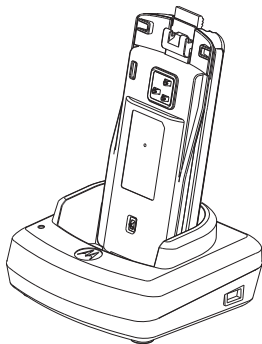
Charging with the Drop-in Tray Single Unit Charger (SUC)



1. Place the Drop-in Tray Charger on a flat surface.
2. Insert the connector of the Power Supply into the charger port on the back of the Drop-in Tray Charger.
3. Plug the AC Adaptor into a power outlet.
4. Insert the radio into the Drop-in Tray Single Unit Charger with the radio facing the front, as shown.

Note: When charging a battery attached to the radio, turn the radio OFF to ensure a full charge. See “Operational Safety Guidelines” on page 11 for more information.

Charging A Stand-Alone Battery



To charge only the battery - at step 4 on page 21, insert the battery into the tray, with the inside surface of the battery facing the front of the Drop-in Tray Single Unit Charger as shown above. Align the slots in the battery with the alignment ribs in the Drop-in Tray Single Unit Charger.

Note: Ensure that the bracket in the charger is adjusted to the correct position for either Standard or High capacity battery. See “Charging a Standard Battery” on the right.

Drop-in Tray Charger LED Indicators

Table 3: Standard Charger LED Indicator

Status	LED Indicator	Comments
Power On	Steady red indication for 3 s	The charger has powered up
Charging	Blinking red (slow)	The charger is currently charging
Charging Complete	Steady red indication	Battery is fully charged
Battery Fault (*)	Blinking red (fast)	Battery had a fault when battery was inserted

(*) Normally, re-positioning the battery pack will correct this issue.

Table 4: Rapid Charger LED Indicator

Status	LED Indicator	Comments
Power On	Steady green indication for 3 s	The charger has powered up
Charging	Blinking green	The charger is currently charging
Top-off Charging	Blinking green (slow)	Battery is near fully charged
Charging Complete	Steady green indication	Battery is fully charged
Battery Fault (*)	Blinking red (fast)	Battery had a fault when battery was inserted
Waiting to Charge (**)	Double-blink yellow indications	Battery charging conditions not suitable

(*) Normally, re-positioning the battery pack will correct this issue.

(**) Battery temperature is too warm or too cold or wrong power voltage is being used.

Estimated Charging Time

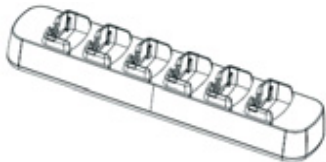
The following table provides the estimated charging time of the battery. For more

information, see “Audio Accessories” on page 75.

Table 5: Battery Estimated Charging Time

Charging Solutions	Estimated Charging Time
	High Capacity Battery
Standard	12 hr
Rapid	3 hr

Charging a Radio and Battery using a Multi Unit-Charger - MUC (Optional Accessory)



The Multi-Unit Charger (MUC) allows drop-in charging of up to six radios or batteries. Batteries can be charged with the radios or removed and placed in the MUC separately. Each of the six charging pockets can hold a radio (with or without the Holster) or battery, but not both.

1. Place the Multi-Unit Charger on a flat surface.
2. Insert the power cord plug into the MUC's dual pin connector .
3. Plug the power cord into an AC outlet.
4. Turn the radio OFF.
5. Set removable bracket for battery type

6. Insert the radio or battery into the charging pocket with the radio.

Note:

- This Multi-Unit Charger clones up to three radios (three Source radios and three Target radios). Refer to “Cloning with a Multi Unit Charger (MUC)” on page 53 for more information.
- More information on the Multi-Unit Charger's operation is available in the Instruction Sheets provided with the MUC. For more information on the parts and their part numbers, refer to Chapter “Accessories” on page 75.

Multi-Unit Charger LED Indicators

Table 6: MUC Charger LED Indicator

Status	LED Indicator	Comments
Charging	Steady Red Indication	The charger is currently charging
Charging Complete	Steady Green Indication	Battery is fully charged
Battery Fault (*)	Blinking red (fast)	Battery was faulty when inserted

(*) Normally, re-positioning the battery pack will correct this issue.

GETTING STARTED

For the following explanations, refer to “Parts Of The Radio” on page 12.

TURNING RADIO ON/OFF

To turn ON the radio, rotate the On/Off/Volume Knob clockwise. The radio plays one of the following:

- Power up tone and channel number announcement, or
- Battery level and channel number announcements, or
- Silent (Audible tones disabled)

The LED blinks red briefly.

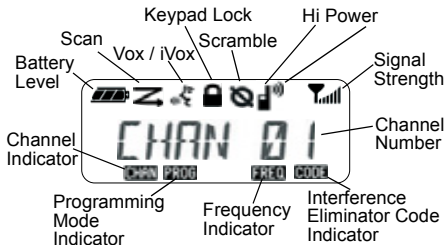
To turn the radio OFF, rotate the On/Off/Volume Knob counterclockwise until you hear a ‘click’ and the radio LED Indicator turns OFF.

ADJUSTING VOLUME

Turn the On/Off/Volume Knob clockwise to increase the volume, or counterclockwise to decrease the volume.

Note: Do not hold the radio too close to the ear when the volume is high or when adjusting the volume

READING THE DISPLAY



Note: The radio display shown here is for icon location only. Each radio display may appear different (channel and code) based on the pre-programmed radio defaults and features available in the model or region. Pressing any button, except the PTT button, will turn on the backlight.

SELECTING A CHANNEL

To select a channel, turn the Channel Selector Knob until you reach the desired channel. An audible voice indicates the selected channel.

Each channel has its own Frequency, Interference Eliminator Code and Scan Settings.

TALKING AND MONITORING

It is important to monitor for traffic before transmitting to avoid 'talking over' someone who is already transmitting

To monitor, long press and hold the SB1(*) button to access channel traffic. If no activity is present, you will hear 'static'. To release, press SB1 again. Once channel traffic has cleared, proceed with your call by pressing the PTT button. When transmitting, the LED Indicator stays solid red.

- To listen to all activity on a current channel, short press the SB1 to set the CTCSS/DPL code to 0. This feature is called 'CTCSS/DPL Defeat (Squelch set to SILENT)'.
- (*) This assumes SB1 is not being programmed for a different mode.

RECEIVING A CALL

1. Select a channel by rotating the Channel Selector Knob until you reach the desired channel. An audible voice indicates the selected channel.
2. Make sure the PTT button is released and listen for voice activity.

3. The LED Indicator stays solid red when the radio is receiving a call.
4. To respond, hold the radio vertically 1 to 2 inches (2.5 to 5cm) from mouth. Press the PTT button to talk; release it to listen.

SIGNAL STRENGTH INDICATOR AND CHANNEL BUSY INDICATORS

When there is activity on a frequency, the radio displays the Signal Strength Indicator icon and the radio LED blinks faster. When your radio is receiving (Rx) and there is activity on the same frequency and code as your radio, the radio Signal Strength Indicator icon can change from 1 (weakest) to 6 (strongest) depending on the radio reception coverage. This helps you to determine if your radio is moving out of range.

Note: Obstacles blocking the signal path affects the strength of incoming signal.



TALK RANGE

TALK RANGE		
Model	Industrial	Multi-Level
		Inside steel/ concrete Industrial buildings
UHF 4W	Up to 350,000 ft2	Up to 30 Floors

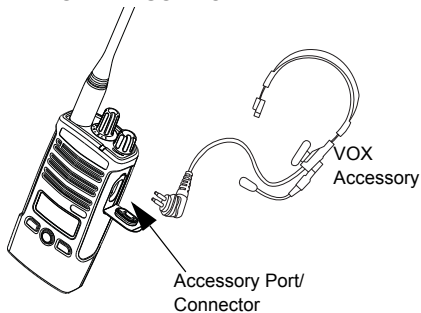
To establish a proper two-way communication, the channel, frequency, and interference eliminator codes must be the same on both radios. This depends on the stored profile that has been preprogrammed on the radio:

1. **Channel:** Current channel that the radio is using, depending on radio model.
2. **Frequency:** The frequency the radio uses to transmit/receive.
3. **Interference Eliminator Code:** These codes help minimize interference by providing a choice of code combinations.
4. **Scramble Code:** Codes that make the transmissions sound garbled to anyone listening who is not set to that specific code.
5. **Bandwidth:** Some frequencies have selectable channel spacing, which must match other radios for optimum audio quality.

For details on how to set up frequencies and CTCSS/DPL codes in the channels, refer to "Advanced Configuration Mode" on page 36.

RADIO LED INDICATORS

RADIO STATUS	LED INDICATION
Channel Busy	Solid Orange
Cloning Mode	Double Orange Heartbeats
Cloning In Progress	Solid Orange
Fatal Error at Power up	One Green Blink, One Orange Blink, One Green Blink, then repeat for 4 seconds
Low Battery	Orange Heartbeat
Low Battery Shutdown	Fast Orange Heartbeat
Monitor	LED is OFF
Power-Up	Solid Red for 2 s
'Idle' Programming Mode / Channel Mode	Green Heartbeat
Scan Mode	Fast Red Heartbeat
Transmit (TX)/Receive (RX)	Solid Red
Transmit in Low Power Select	Solid Orange
VOX/iVOX Mode	Double Red Heartbeats

HANDS-FREE USE/VOX

Motorola Solutions RDX Series radios can operate hands-free (VOX) when used with compatible VOX accessories.

With Compatible VOX Accessories

The default factory setting for VOX sensitivity level is OFF (level '0'). Before using VOX, set VOX level to a level different from '0' via the Customer Programming Software (CPS). Then, perform the following steps:

1. Turn the radio OFF.
2. Open accessory cover.

3. Insert the audio accessory's plug firmly into accessory port.
4. Turn radio ON. The LED Indicator will blink double red
5. Lower radio volume BEFORE placing accessory near ear.
6. To transmit, speak into accessory microphone and to receive, stop talking.
7. VOX can be temporarily disabled by pressing the PTT button or by removing the audio accessory.

VOX can also be activated using the (Menu) button without using the CPS.

Note: To order accessories, refer to: www.motorolasolutions.com/RDX, call 1 (800) 448-6686, or contact your Motorola Solutions point of purchase.

Hands Free without Accessories (iVOX)

- Press the PTT button while turning ON the radio to enable iVOX. The icon blinks.
- iVOX can be temporarily disabled by pressing the

PTT button.

- A short press of the PTT Button re-enables iVOX

Note:

- There is a short delay between the time when you start talking and when the radio transmits.
- For more information on setting VOX/iVOX sensitivity, refer to “Setting VOX/iVOX Sensitivity” on page 34.

TOGGLE VOICE PROMPT IN USER MODE

Short press the SB1 Button while turning ON the radio to enable/disable the Voice Prompt in User Mode. (Default is set to ON).

POWER UP - TONE MODE

To enable/disable power up tone mode, press SB1 and SB2 buttons simultaneously for 2-3 seconds while powering up the radio until you hear the pre-programmed power up tone. Three different power-up tones are available.

- Power up tone and channel number announcement, or
- Battery level and channel number announcements, or

- Silent (Audible tones disabled)

RESET TO FACTORY DEFAULTS

Reset to Factory Defaults will set back all radio features to the original factory default settings. To do so, press PTT, SB2 and SB1 simultaneously while turning ON the radio until you hear a high tone chirp.

KEYPAD BEEPS

To enable/disable Keypad Beeps, short press the SB2 button while turning ON the radio until you hear ‘chirp’ tone.

KEYPAD LOCK/UNLOCK

You can lock the keypad to avoid accidentally changing your radio settings. To lock the radio keypad, press and hold the (Menu) button for 4 seconds.

- Note:** The PTT Button and Programmable Button A (if Call Tone feature has been assigned) cannot be locked using this feature.



Keypad Lock icon

MENU OPTIONS

To access the radio MENU, short press the (Menu) button. The radio displays the feature options. For each options, use the and buttons to navigate. After selecting your desired option settings, you can:

- Press (Menu) button to save and go to the next option, or
- Long press the PTT button to save and exit, or
- Turn OFF the radio to exit without saving the changes.

The MENU mode times out automatically if there is no activity detected for more than 10 seconds.

SETTING VOX/IVOX SENSITIVITY

The VOX/iVOX sensitivity settings can be adjusted via the MENU as well as the CPS. To modify via the MENU, make sure you have enabled VOX or iVOX. (Refer to “Hands-Free Use/VOX” on page 33 or “Hands Free without Accessories (iVOX)” on page 34 for more information). Once VOX/iVOX is enabled, short press the (Menu) button.

If iVOX is enabled when you press the (Menu) button, the radio displays the following:



If VOX is enabled (with accessory connected to the radio) when you press the (Menu) button, the radio displays the following:



To change the sensitivity level, use the Programmable Button A and Programmable Button B buttons:

- 0 = OFF (For VOX accessories only)
- 1 = Low sensitivity
- 2 = Medium sensitivity
- 3 = High sensitivity

Once you have selected the desired sensitivity level, you can:

- Press the (Menu) button to go to the next step, or
- Turn OFF the radio to exit without saving changes.

Note: The default sensitivity is 'Medium' for VOX and 'High' for iVOX.

MICROPHONE GAIN

The sensitivity of the microphone can be adjusted to fit different users or operating environments.

This feature can be adjusted only through the CPS. Microphone default setting is set to level 2 (medium gain).

PROGRAMMING FEATURES

ADVANCED CONFIGURATION MODE

Advanced Configuration is a configuration mode that allows the customization of additional features via the radio's front panel.

Entering Advanced Configuration Mode

To enter Advanced Configuration Mode, press and hold the PTT Button and the SB1 Button simultaneously for 3 s, while turning ON the radio. A unique tone sounds, indicating the radio has entered Advanced Configuration Mode. The radio LED blinks a green heartbeat.

Note:

- The Advanced Configuration Mode defaults to the 'Idle' Programming Mode.
- 'Idle' Programming Mode is the stage in the Programming Mode where the radio waits for the user to start the radio programming cycle.

When the radio is set to Advanced Configuration Mode, the **k** icon displays and the current channel aliasing name blinks to indicate that you can rotate the

Channel Selector Knob to select the channel you want to program.



Advanced Configuration Mode

In Advanced Configuration Mode, the radio is capable of setting values for each channel by toggling between the different programming modes available:

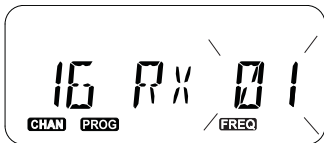
- Frequencies,
- CTCSS/DPL Codes (Interference Eliminator Code),
- Scramble,
- Maximum Channels,
- Call Tone,
- Microphone Gain,
- Scan, and
- Weather Channel.
- To move along the different Programming Selection Mode without saving changes, short press the PTT Button or (Menu) Button.
- To save changes, long press the PTT Button. The radio returns to 'Idle' Programming Mode.

- When in 'Idle' Programming Mode, long press the PTT button to exit the Programming Mode.
- Whenever you wrap around to the beginning of the Programming Mode options, the radio automatically saves all changes made, even if you turn OFF the radio.
- Exit the Programming Mode without saving changes (as long as you have not wrapped around to the beginning of the Programming Mode options) by turning OFF the radio.

PROGRAMMING RX (RECEPTION) FREQUENCIES

Once you have chosen the channel you want to program, short press the PTT button or (Menu) button to scroll through the options until you reach 'Frequency Programming Mode'.

The radio display shows the frequency code as follows:



To program the desired frequency, use the Programmable Button A and Programmable Button B buttons to navigate to the frequency code value you need. Long press the PTT button to exit and save, or short press the PTT button to move to the next programming feature without saving.

PROGRAMMING RX (RECEPTION) CODES (CTCSS/DPL)

Once you have chosen the channel you want to program, short press the PTT button or (Menu) button to scroll through the options until you reach the 'Code Programming Mode'.

The radio display shows the CTCSS/DPL code as follows:



To program the desired code, use the and buttons until you get the CTCSS/DPL code value you want to set up. Long press the PTT button to exit and save, or short press the PTT button to move to the next programming feature without saving.

PROGRAMMING SCRAMBLE

The scramble feature makes your transmissions sound garbled to anyone listening without the same scramble code. It does not guarantee confidentiality, but it adds an extra layer of privacy. Scramble mode is by default set to 'OFF'.

Once you have entered Advanced Configuration Mode and selected the channel in which you want to enable Scramble, scroll up or down through the programming modes by short pressing the PTT button or (Menu) button until the radio reaches the Scramble Programming Mode.

The radio display shows the Scramble settings as follows:



The current scramble value blinks. You can select the desired scramble value (0,1,2 or 3) by pressing the and buttons. Long press the PTT button to exit and save, or short press the PTT button to move to the next programming feature without saving.

Note: The values available for scrambling are dependent to the values programmed via the CPS. Scramble is disabled when the value is set to '0'.

PROGRAMMING MAXIMUM NUMBER OF CHANNELS

You can configure the maximum number of channels for the radio. Once you have entered the Advanced Configuration Mode, scroll up or down through the programming modes by short pressing the PTT button or (Menu) button until you reach the 'Maximum Channel Programming Mode'.

The radio display shows the Maximum Number of Channels as follows:



The radio display blinks the current maximum number of channels programmed. Use the Programmable Button A and Programmable Button B buttons until you get the desired maximum number of channels. Long press the PTT button to exit and save, or short

press the PTT button to move to the next programming feature without saving.

The values available for maximum channel settings are dependent on the maximum number of channels the radio supports.

PROGRAMMING CALL TONES

Call Tones feature allows you to transmit an audible tone to other radios on the same channel to alert them that you are about to talk or to alert them without speaking.

In 'Call Tone Selection Mode' you can configure the type of call tone for the radio. The settings available are dependent on the maximum number of call tones your radio supports.

To program Call Tones, enter the Advanced Configuration Mode and scroll up or down through the programming modes until your display radio shows the 'Programming Call Tones' selection by short pressing the PTT button or (Menu) button.

The radio display shows the Programming Call Tone' as follows:



The radio display blinks the current call tone setting. You can select the desired call tone value (0,1,2 or 3) by pressing the Programmable Button A and Programmable Button B buttons. Each time you select a different value, your radio sounds the selected call tone (except for value '0'). Once you have selected the desired call tone, long press the PTT button to exit and save, or short press the PTT button to move to the next programming feature without saving.

Note: The values available for Call Tones settings are dependent on the values programmed via the CPS. Call Tones is disabled when the value is set to '0'.

PROGRAMMING MICROPHONE GAIN LEVEL

To configure the Microphone Gain Level, enter the Advanced Configuration Mode and scroll up or down

through the programming modes by short pressing the PTT button or (Menu) button until you reach the 'Microphone Gain Level Programming Mode'.

The radio display shows the Microphone Gain Level as follows:



The radio display blinks the current Microphone Gain Level setting. You can select the desired Microphone Gain Level (1 = low gain, 2 = medium gain or 3 = high gain) by pressing the Programmable Button A and Programmable Button B buttons.

Once you have selected the desired Microphone Gain Level, long press the PTT button to exit and save, or short press the PTT button to move to the next programming feature without saving.

Note: The values available for Microphone Gain Level settings are dependent on the maximum Microphone Gain Level the radio supports.

PROGRAMMING MICROPHONE ACCESSORY GAIN LEVEL

To configure the Microphone Accessory Gain Level, enter the Advanced Configuration Mode and scroll up or down through the programming modes by short pressing the PTT button or (Menu) button.

The radio display shows the Microphone Accessory Gain Level as follows:



The radio blinks the current Microphone Accessory Gain Level setting. You can select the desired Microphone Accessory Gain Level (1 = low gain, 2 = medium gain or 3 = high gain) by pressing the Programmable Button A and Programmable Button B buttons.

Once you have selected the desired Microphone Gain Level, long press the PTT button to exit and save, or short press the PTT button to move to the next programming feature without saving.

Note: The values available for Microphone Accessory Gain Level settings are

dependent on the maximum Microphone Accessory Gain Level the radio supports.

OTHER PROGRAMMING FEATURES

Scan

Scan allows you to monitor other channels to detect conversations. When the radio detects a transmission, it stops scanning and goes to the active channel. This allows you to listen and talk to people in that channel without having to change channel manually. If there is talking going on Channel 2 during this time, the radio stays on Channel 1 and you will not hear Channel 2. After talking has stopped in Channel 1, the radio waits for 5 seconds before resuming scan again.

- To start scanning, press the SB1 or SB2 button. When the radio detects channel activity, it stops on that channel until activity on that channel ends. You can talk to the person(s) transmitting without having to switch channels by pressing the PTT button.

Note: Scan has to be programmed either to SB1 or SB2 button via CPS. SB2 is by default Scan/Nuisance Channel delete button. If Auto-Scan has been enabled for a particular channel, do not press SB1 or SB2

(programmed for scan) to start scanning, as the radio does it automatically.

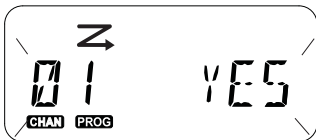
- To stop scanning, short press the SB1 or SB2 button (programmed for scan) again.
- By pressing the PTT button while the radio is scanning, the radio will transmit on the channel which was previously selected before Scan is activated. If no transmission occurs within 5 seconds, scanning resumes.
- If you want to scan a channel without the Interference Eliminator Codes (CTCSS/DPL), set the code settings for the channels to '0' in the CTCSS/DPL Programming Selection Mode.

Note: Whenever the radio is set to Scan, the LED Indicator blinks a Red Heartbeat.

Programming Scan List

You can enable or disable the Channel Scanning feature for each channel in your radio. To do so, enter the Advanced Configuration Mode and select the channel you want to program. Scroll through the programming modes by short pressing the PTT button or (Menu) button until you reach the 'Scan Programming Mode'.

The radio display shows the Scan Programming Mode as follows:



Both the channel number and current scan setting (YES = Enable or NO = Disable) blinks on the display, indicating you can choose your setting. To set the channel number, rotate the Channel Selector Knob until you reach the desired channel number.

Once you have selected the channel, proceed to enable ('YES') or disable ('NO') the scan feature by pressing the SB2 (*) button. Once you have set the values you need, long press the PTT button to exit and save, or short press the PTT button to move to the next programming feature without saving.

Note:

- (*) This assumes the SB2 button is not programmed for a different mode.
- If the Maximum Channel setting in the radio is set to '1', the Scan Programming option is disabled and will not show on the radio display.

Programming Weather Channel (Not allowed on RDX4163)

Weather Channel Programming Mode is the last programming mode available. You can enable or disable the Weather Channel.

To do so, enter the Advanced Configuration Mode and select the channel you want to program. Scroll through the programming modes by short pressing the PTT button or (Menu) button until you reach the 'Weather Channel Programming Mode'.

Press the Programmable Button A and Programmable Button B buttons to enable or disable the mode. Refer to "Weather Channel Frequencies Table" on page 47 for the frequency table.

Editing Channel Alias Name

To edit a Channel Alias Name, turn ON the radio and press and hold the PTT button simultaneously with the button for 3 seconds. The radio generate a special beep upon entering the 'Channel Alias Mode'.

The radio display shows the current channel alias name and channel number blinking as follows:



Choose the channel number you want to edit by rotating the Channel Selector Knob. Once you have selected the channel number, short press the PTT button or (Menu) button to start editing the channel alias name.

The character to be changed starts blinking. If it's a blank character, a cursor starts blinking.

To change character, press the and buttons until the desired character is reached. To move to next character on the right, press the (Menu) button. The character sequence is [A-Z], "", (Blank Space), [0-9] and Special Characters. No lower case is allowed.

Long press the PTT button to save and go back to the 'Channel Alias Mode' to choose other channel to edit the alias name or turn OFF the radio to exit without saving the changes

Note: If the channel alias name is left blank, long pressing the PTT button does not save or leave the alias name.

Nuisance Channel Delete

Nuisance Channel Delete allows you to temporarily remove channels from the Scan List. This feature is useful when irrelevant conversations on a 'nuisance' channel ties up the radio's scanning feature.

To delete a channel from the Scan List:

- Start Scan mode by short pressing the SB2(*) button.
- Wait until the radio stops at the channel you wish to eliminate. Long press the SB2 button to delete it. You cannot delete the channel with scan enabled (home channel).
- The channel will not be scanned again until you exit the Scan mode by short pressing the SB2 button again or by turning OFF the radio and back ON.

Note: (*) This assumes the SB2 button is not programmed for a different mode.

CUSTOMER PROGRAMMING SOFTWARE (CPS)

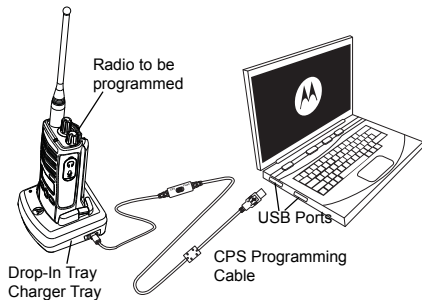


Figure 1: Setting up the radio to the CPS

The easiest way to program or change features in your radio is by using the Customer Programming Software (CPS) and the CPS Programming Cable(*). CPS Software is available for free as web based downloadable software at:

www.motorolasolutions.com/RDX

To program, connect the RM Series radio via the Drop-in Charger Tray and CPS Programming Cable as shown in **Figure 1 on page 44**. Toggle the cable

switch of the CPS Programming Cable to '**CPS Mode**'.

CPS allows you to program frequencies, PL/DPL Codes as well as other features such as: Bandwidth Select, Time-out Timer, Power Select, Scan List, Call Tones, Scramble, Reverse Burst, etc. CPS is a very useful tool as it can also lock the Front-Panel Radio Programming or restrict any specific radio feature to be changed (to avoid accidentally erasing the preset radio values). It also provides security by giving the option to set up a password for profile radio's management. For more information, refer to Features Summary Chart Section at the end of the User Guide.

Note: (*) CPS Programming Cable P/N# HKKN4027_ is an accessory sold separately. Please contact your Motorola point of purchase for more information.

Time-Out Timer

This timer sets the amount of time that the radio can continuously transmit before the transmission is automatically terminated. The default setting is 60 seconds and can be changed using the CPS.

Power Select

Power Select allows you to select between high and low transmission power per frequency in each

channel. The High Power for RDX+ is 5 W for VHF and 4 W for UHF, Low Power for both bands is 2 W.

Note: Some frequencies may have FCC transmit power restrictions that disallow them to be set at a higher power level. For more information, refer to the “Frequency and Code Charts” on page 63.

Call Tones

See “Programming Call Tones” on page 39.

Scramble

See “Programming Scramble” on page 38.

Reverse Burst

Reverse Burst eliminates unwanted noise (squelch tail) during loss of carrier detection. You can select values of either 180 or 240 to be compatible with other radios.

Note:

- The features described in previous pages are just some of the features CPS has. CPS offers more capabilities. For more information refer to the HELP file in the CPS.
- Some of the features available with the CPS

software may vary depending on the radio model.

TEXT-TO-SPEECH (CHANGING PRE-DEFINED VOICE ALIASES)

Enable User Pre-Defined Voice Prompt (VP) Checkbox

Check the box to enable user-defined voice on the selected channel. The user is given the option to either use the Text-to-Speech synthesizer in order to generate automated voice, or import a wave (.wav) file containing the voice data.

User Pre-Defined Voice Prompt (VP) Text

This field is used by the Text-to-Speech synthesizer embedded in the CPS to generate user-defined voice for the selected channel.

Note:

- The length of the string cannot exceed 18 characters.
- The string can only contain ISO-8859-1 characters.

Import Voice File

This field allows the user to upload a pre-existing wave (.wav) file from the local hard drive. The first

eight characters of the wave files are used to populate the channel “Name”.

Note:

- The wave file must be sampled at 8 kHz.
- The wave file cannot exceed 65,000 kB in length.

Listen to User Customized Voice Prompt (VP) Text

This field allows the user to play the output voice signal generated from the Text-to-Speech synthesizer.

WEATHER FEATURE (NOT FOR RDU4163)

The RDX radio weather mode can be programmed to operate and receive weather channels that are broadcast by the National Weather Radio (NWR). The NWR system is a nationwide network of radio stations (more than 1000 stations in United States) that broadcast continuous weather information for the public. The NWR broadcasts all types of weather service warnings, watches, forecasts and other hazard information. The NWR can also broadcast non- weather alerts such as national security, natural, environmental, and public safety in conjunctions with the Emergency Alert System (EAS).

The RDX radio weather feature can detect weather alerts/warnings that are broadcast by NWR. The RDX+ radio can be programmed to detect the analog tone or digital-over-audio protocol. The analog tone is a 1050 Hz tone (Warning Alarm Tone), which is issued for 10 seconds immediately before the warning message by the NWR transmitter. When RDX radio detects the Warning Alarm tone, it unmutes audio and allows the user to hear the weather alert message. As for digital-over- audio protocol, it is a newer technology called Specific Area Message Encoding (SAME) that allows weather radio to receive digital data stream about the type of weather events, timing, duration, and location. When RDX radio detects these special warnings, the radio can be programmed to automatically generate a loud tone, enable LED indicator, and display “hazard” status on the display. With the SAME technology, the RDX radio weather mode can be programmed to detect the type of weather warnings or watches for a specified the county or counties.

Further information about the National Weather Radio system such as network updates, transmitter coverage maps, and SAME event codes can be found on the Internet at www.nws.noaa.gov/nwr/.

Weather Alert Mode

Select the alert mode the radio will respond to alerts sent from the National Weather Service, which transmitted prior to the broadcast of any message about a life or property threatening event.

Choices available are:

- OFF (Default): Disable the Weather Alert Feature.
- Tone Alert: Detect the Warning Alarm Tone (WAT).
- SAME Alert: Detect the Special Area Message Encoding (SAME).

Weather Channel Frequencies Table

Frequency Number	Value (Mhz)
1	162.4000
2	162.4250
3	162.4500

Frequency Number	Value (Mhz)
4	162.4750
5	162.5000
6	162.5250
7	162.5500

THE WEATHER ALERT HAS TWO MODES OF OPERATIONS

1. In Weather Channel Mode, the radio is in a muted state until it detects the WAT/SAME. When the radio detects the WAT, the radio unmutes and allows the user to hear the weather alert message.
2. In two-way mode (on two-way channel), Weather Alert feature becomes a special scan feature. The radio scans between the current selected two-way channel and the selected weather channel. When the radio detects WAT/SAME signal on the weather channel, the radio

unmutes to allow the user to listen the weather message. For Tone Alert, the radio stays in receiving mode until weather signal is weak or user presses the PTT button or changes the channel using the Channel Selector Knob. For SAME alert, whether the radio stays in receiving mode or switches back to two-way mode depending on the setting of the EOM Enabled.

Warning: RDX radio does not detect Weather Alert while it is receiving or transmitting on a two-way channel.

EOM Enabled

This feature is only available for SAME Alert mode and it is only effective when the radio operates in two-way mode or Weather Channel mode. When checked and in two-way mode, the radio switches back to two-way channel and continues to weather scan after it receives end of message (EOM). For weather channel, the radio mutes and continues to look for new SAME alert after it receives EOM. When unchecked, it stays in receiving mode until weather signal is weak or user presses the PTT button or

changes the channel using the Channel Selector Knob.

New Alert Tone Timer

Select a pre-defined time for a radio to play the new alert tone. When a radio receives a new SAME alert message, the LED screen lights up and the radio starts playing the new alert tone at the end of the message. Users have the ability to configure how long the alert tone will be played.

Choices available are:

- 0 – forever until a button is pressed, or user switches channel, or the new alert message is expired.
- 5 min.
- 10 min.
- 30 min.

Note: Embedded in the SAME message is the duration of the alert message. The RDX radio continues to display the alert until the duration expiration time.

EVENT TYPE FILTER

The RDX radio is a programmable weather radio that allows users to choose the type of weather warnings

and watches that will alarm. The radio can be programmed to allow or block an event by its type.

All Events

When checked, the radio allows for all SAME events.

Alert Test Event

When SAME alert is enabled, the radio responds to any test events. When checked, the radio alerts the same way as other SAME alert messages. When unchecked, the radio displays only the Message, lights the alert LED without unmuting the radio. The radio does not play the new alert tone at this time.

Note: No matter how the user programs the event filter, some critical events cannot be blocked. The National Weather Service broadcast a test alert every week on Wednesday between 11 AM and Noon. Users should use test alert to ensure that their radios are functioning properly. See also: The Critical Events Table.

WARNING

When checked, the radio allows all warning events. Warning events are events that alone pose a significant threat to public safety and/or property.

Note: No matter how the user programs the event filter, some critical events cannot be blocked. See also: The Critical Events Table.

WATCH

When checked, the radio allows all watch events. Watches are events that meet the classification of a warning, but either the onset time, probability of occurrence or location is uncertain.

Note: No matter how the user programs the event filter, some critical events cannot be blocked. See also: The Critical Events Table.

EMERGENCY

When checked, the radio allows all emergency events. Emergency event is an event that by itself would not kill or injure or do property damage, but indirectly may cause other things to happen that result in a hazard.

Note: No matter how the user programs the event filter, some critical events cannot be blocked. See also: The Critical Events Table.

STATEMENT

When checked, the radio allows all statement events. Statement is message that contains follow-up information to a warning, watch, or emergency.

Note: No matter how the user programs the event filter, some critical events cannot be blocked. See also: The Critical Events Table.

EVENT CODE FILTER

A specific SAME event can be allowed or blocked. There are maximum of five Event Codes can be programmed.

BLOCK EVENT

When checked, the Event Codes entered below shall be blocked.

Note: No matter how the user programs the event filter, some critical events cannot be blocked. See also: The Critical Events Table.

EVENT CODE

The Event Code field accepts wild card (“*”). The following are examples of valid Event Code format.

- “****” - all events
- FL “*” – FLA or FLW
- FLA

The “blank” means unprogrammed and the radio will bypass it without doing anything.

Note: No matter how the user programs the event filter, some critical events cannot be blocked. See also: The Critical Events Table.

THE CRITICAL EVENTS TABLE

Abbreviation	Description
BHW	Biological Hazard Warning
CDW	Civil Danger Warning
CEM	Civil Emergency Message

Abbreviation	Description
CHW	Chemical Hazard Warning
CWW	Contaminated Water Warning
DBW	Dam Break Warning
DEW	Contagious Disease Warning
EAN	Emergency Action Notification
EAT	Emergency Action Termination
EQW	Earthquake Warning
EVI	Evacuation Immediate

Abbreviation	Description
FCW	Food Contamination Warning
HMW	Hazardous Materials Warning
HUW	Hurricane Warning
IEW	Immediate Evacuation Warning
IFW	Industrial Fire Warning
LAE	Local Area Emergency
LEW	Law Enforcement Warning
LSW	Land Slide Warning

Abbreviation	Description
NHW	National Hazard Warning
NUW	Nuclear Power Plant Warning
RHW	Radiological Hazard Warning
SPW	Shelter In Place Warning
TOR	Tornado Warning
TOW	Tornado Warning
TRW	Tropical Storm Warning
TSA	Tsunami Watch
TSW	Tsunami Warning

Abbreviation	Description
VOW	Volcano Warning
WFW	Wild Fire Warning

GEOGRAPHIC FILTER

There are maximum of six geographic codes can be programmed. When all fields are unselected, or any of the geographic code is "ALL" for both State and County code (FIPS is "000000"), the radio bypasses the Geographic Filter check.

There are two ways to enter the geographic code,

- Select State and County Code.
- Enter the FIPS code directly (must be 6 digits).

STATE

Selects the State, Territory and Offshore (Marine Area) portion (SS) the radio alerts for.

COUNTY

Select a county, province, or major metropolitan area (CCC) the radio alerts for.

FIPS

Federal Information Processing Standards (FIPS) contains six digits which represent PSSCCC, where P is the region code, SS is the state code and CCC is the county code.

Enters/Edits a specific FIPS whenever it is necessary.

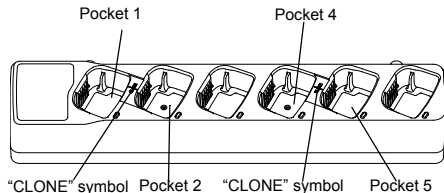
Further information about FIPS can be found on the Internet at www.nws.noaa.gov/nwr/indexnw.htm or call the National Weather Service Toll-Free Number SAME county code – 1888-NWS-SAME (1-888-697-7263).

CLONING RADIOS

You can clone RDX Series radio profiles from one Source radio to a Target radio by using any one of these three methods:

- Using a Multi Unit Charger (MUC- optional accessory),
- Using two Single Unit Chargers (SUC) and a Radio-to-Radio cloning cable (optional accessory),
- the CPS (free software download)

Cloning with a Multi Unit Charger (MUC)



To clone radios using the MUC, there must be at least two radios:

- a Source radio (the radio which profiles will be cloned or copied from) and
- a Target radio (the radio which profile will be cloned from the source radio.)

The Source radio has to be in Pocket 1, 3 or 5 while the Target radio has to be in Pocket 2, 4 or 6, matching in the MUCs pockets by pairs as follows:

- 1 and 2 or,
- 3 and 4 or,
- 5 and 6 (*).

When cloning, the MUC does not need to be plugged into a power source, but ALL radios require charged batteries.

1. Turn ON the Target radio and place it into one of the MUC Target Pockets
2. Power the Source radio following the sequence below:
 - Long Press the PTT button and SB2 simultaneously while turning the radio ON.
 - Wait for 3 seconds before releasing the buttons until the audible tone “Cloning” is heard.
3. Place the Source radio in the source pocket that pairs with the target pocket you chose in step 1. Press and release the SB1 button.
4. After cloning is completed, the Source radio will announce either “successful” (cloning is successful) or “fail” (cloning has failed). The ‘successful’ tone sounds like a good key ‘chirp’ whereas the ‘fail’ tone sounds similar to a ‘bonk’ tone. If the Source radio is a display model, it

will either show ‘Pass’ or ‘Fail’ on the display (a tone will be heard within 5 s).

5. Once you have completed the cloning process, turn the radios OFF and ON or, long press the PTT button to exit the ‘cloning’ mode.

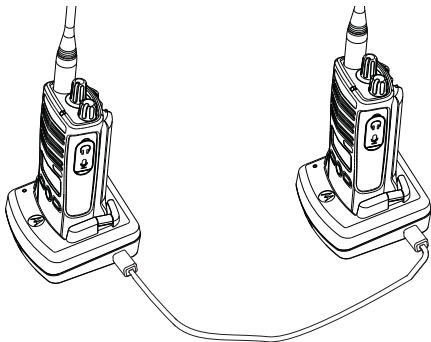
Further details on how to clone radios are explained in the Instructions Sheet provided with the MUC.

When ordering the MUC, refer to part number RLN6309_.

Note:

- If cloning fails, refer to “What To Do If Cloning Fails” on page 56.
- Paired Target radios and Source radios must be of the same band type in order for the cloning to run successfully.
- MUC pockets numbers should be read from left to right with the Motorola logo facing front.

Cloning Radio using the Radio to Radio (R2R) Cloning Cable (Optional Accessory)



Operating Instructions

- Before starting the cloning process, make sure you have:
 - A fully charged battery on each of the radios.
 - Two Single-Unit Chargers (SUC).
 - Turn OFF the radios and,
 - Both radios are of the same radio model.
- Unplug any cables (power supply or USB

cables) from the SUCs.

- Plug one side of the cloning cable mini USB connector to the first SUC and the other end to the second SUC.

Note: During the cloning process, no power is being applied to the SUC. The batteries will not be charged. Only data communication is being established between the two radios.

- Turn ON the Target Radio and place it into one of the SUCs.
- For the Source Radio, power ON the radio with the following sequence:
 - Long press the PTT button and SB2 simultaneously while turning the radio ON.
 - Wait for 3 s before releasing the buttons until a distinctive audible tone is heard.
- Place the Source radio in its SUC, press and release SB1.
- After cloning is completed, the Source radio will sound either a 'pass' tone (cloning was successful) or a 'fail' tone (cloning process has failed). The 'pass' tone sounds like a good key

'chirp' whereas the 'fail' tone sounds similar to a 'bonk' tone. If the Source radio is a display model, it will either show 'Pass' or 'Fail' on the display (a tone will be heard within 5 seconds).

8. Once you have completed the cloning process, turn the radios OFF and ON to exit 'clone' mode.

What To Do If Cloning Fails

The radio will emit an audible "bonk" indicating that the cloning process has failed. In the event that the cloning fails, perform each of the following steps before attempting to start cloning process again:

1. Ensure that the batteries on both radios are fully charged.
2. Check the cloning cable connection on both SUCs.
3. Ensure that the battery is engaged properly on the radio.
4. Ensure that there is no debris in the charging tray or on the radio contacts.
5. Ensure that the Target radio is turned ON.

6. Ensure that the Source radio is in cloning mode.
7. Ensure that the two radios are both from the same frequency band, same region and have the same transmission power.

Note: This cloning cable is designed to operate only with compatible Motorola SUC RLN6175_ and RLN6304_.

When ordering Optional Cloning Cable, please refer to part number RLN6303_. For more information about the accessories, refer to "Accessories" on page 75.

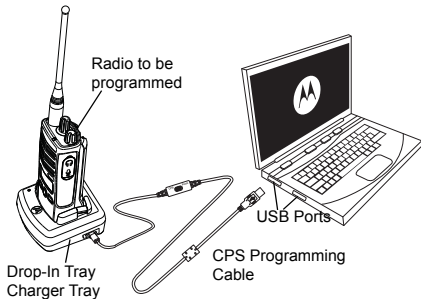
Cloning using the Customer Programming Software (CPS)

When cloning using this method, you need the CPS software, a Drop-In Tray Charger and the CPS Programming Cable.

To order the CPS Programming Cable, please refer to part number RKN4155_.

Information on how to clone using the CPS is available either in:

- the CPS Help File --> Content and Index --> Cloning Radios, or
- in the CPS Programming Cable Accessory Leaflet.



TROUBLESHOOTING

<i>Symptom</i>	<i>Try This...</i>
No Power	Recharge or replace the Li-Ion battery. Extreme operating temperatures may affect battery life. Refer to "About the Li-Ion Battery" on page 15.
Hearing other noises or conversation on a channel	Confirm Interference Eliminator Code is set. Frequency or Interference Eliminator Code may be in use. Change settings: either change frequencies or codes on all radios. Make sure radio is at the right frequency and code when transmitting. Refer to "Talking and Monitoring" on page 29.
Message Scrambled	Scramble Code might be ON, and/or setting does not match the other radios' settings.
Audio quality not good enough	Radio settings might not be matching up correctly. Double check frequencies, codes and bandwidths to make sure they are identical in all radios.

Symptom	Try This...
Limited talk range	<p>Steel and/or concrete structures, heavy foliage, buildings or vehicles decrease range. Check for clear line of sight to improve transmission.</p> <p>Wearing radio close to body such as in a pocket or on a belt decreases range.</p> <p>Change location of radio. To increase range and coverage, you can reduce obstructions or increase power. UHF radios provides greater coverage in industrial and commercial buildings. Increasing power provides greater signal range and increased penetration through obstructions.</p> <p>Refer to “Talking and Monitoring” on page 29.</p>
Message not transmitted or received	<p>Make sure the PTT button is completely pressed when transmitting.</p> <p>Confirm that the radios have the same Channel, Frequency, Interference Eliminator Code and Scramble Code settings. Refer to “Talking and Monitoring” on page 29 for further information.</p> <p>Recharge, replace and/or reposition batteries. Refer to “About the Li-Ion Battery” on page 15.</p> <p>Obstructions and operating indoors, or in vehicles, may interfere. Change location. Refer to “Talking and Monitoring” on page 29.</p> <p>Verify that the radio is not in Scan. Refer to “Scan” on page 41 and “Nuisance Channel Delete” on page 43.</p>

<i>Symptom</i>	<i>Try This...</i>
Heavy static or interference	Radios are too close; they must be at least five feet apart. Radios are too far apart or obstacles are interfering with transmission. Refer to "Talking and Monitoring" on page 29.
Low batteries	Recharge or replace Li-Ion battery. Extreme operating temperatures affect battery life. Refer to "About the Li-Ion Battery" on page 15.
Drop-in Charger LED light does not blink	Check that the radio/battery is properly inserted and check the battery/charger contacts to ensure that they are clean and charging pin is inserted correctly. Refer to "Charging the Battery" on page 21, "Drop-in Tray Charger LED Indicators" on page 23 and "Installing the Lithium-Ion (Li-Ion) Battery" on page 17.
Low battery indicator is blinking although new batteries are inserted	Refer to "Installing the Lithium-Ion (Li-Ion) Battery" on page 17, and "About the Li-Ion Battery" on page 15.

<i>Symptom</i>	<i>Try This...</i>
Cannot activate VOX	<p>VOX feature might be set to OFF.</p> <p>Use the CPS to ensure that the VOX Sensitivity level is not set to '0'.</p> <p>Accessory not working or not compatible.</p> <p>Refer to "Hands-Free Use/VOX" on page 32.</p>
Battery does not charge although it has been placed in the drop-in charger for a while	<p>Check drop-in tray charger is properly connected and correspond to a compatible power supply.</p> <p>Refer to "Charging with the Drop-in Tray Single Unit Charger (SUC)" on page 21 and "Charging A Stand-Alone Battery" on page 22.</p> <p>Check the charger's LEDs indicators to see if the battery has a problem. Refer to "Drop-in Tray Charger LED Indicators" on page 23.</p>
User voice prompt does not clone.	<p>Check the front radio name plate. Radios with an orange color font will not support customize voice prompt.</p>

Note: Whenever a feature in the radio seems to not correspond to the default or preprogrammed values, check to see if the radio has been programmed using the CPS with a customized profile.

USE AND CARE

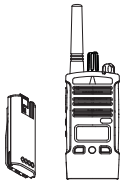
Use a soft damp cloth to clean the exterior



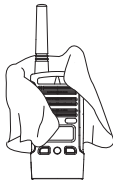
Do not immerse in water



Do not use alcohol or cleaning solutions

If the radio is submerged in water...

Turn radio OFF and remove batteries



Dry with soft cloth



Do not use radio until completely dry

FREQUENCY AND CODE CHARTS

when using the Motorola Solutions RDX Series two-way radios with other business radios.

RDX UHF FREQUENCIES CHART

The charts in this section provide Frequency and Code information. These charts are useful

RDU4163 – UHF DEFAULT FREQUENCIES CHART

RDX UHF 16CH Radios Default Frequencies – RDU4163

Channel	Frequency #	Frequency (MHz)	Code#	Code	Bandwidth
1	1	458.6625	1	67.0 Hz	12.5 kHz
2	2	469.2625	1	67.0 Hz	12.5 kHz
3	1	458.6625	2	71.9 Hz	12.5 kHz
4	2	469.2625	2	71.9 Hz	12.5 kHz
5	1	458.6625	3	74.4 Hz	12.5 kHz
6	2	469.2625	3	74.4 Hz	12.5 kHz
7	1	458.6625	4	77.0 Hz	12.5 kHz
8	2	469.2625	4	77.0 Hz	12.5 kHz
9	1	458.6625	5	79.7 Hz	12.5 kHz
10	2	469.2625	5	79.7 Hz	12.5 kHz

RDX UHF 16CH Radios Default Frequencies – RDU4163

11	1	458.6625	6	82.5 Hz	12.5 kHz
12	2	469.2625	6	82.5 Hz	12.5 kHz
13	1	458.6625	7	85.4 Hz	12.5 kHz
14	2	469.2625	7	85.4 Hz	12.5 kHz
15	1	458.6625	8	88.5 Hz	12.5 kHz
16	2	469.2625	8	88.5 Hz	12.5 kHz

RDX UHF FREQUENCIES CHART

RDX UHF Frequencies

Frequency #	Frequency (MHz)	Bandwidth
1	464.5000	12.5 kHz
2	464.5500	12.5 kHz
*3	467.7625	12.5 kHz
*4	467.8125	12.5 kHz
*5	467.8500	12.5 kHz
*6	467.8750	12.5 kHz
*7	467.9000	12.5 kHz
*8	467.9250	12.5 kHz
9	461.0375	12.5 kHz
10	461.0625	12.5 kHz
11	461.0875	12.5 kHz
12	461.1125	12.5 kHz
13	461.1375	12.5 kHz
14	461.1625	12.5 kHz

Frequency #	Frequency (MHz)	Bandwidth
15	461.1875	12.5 kHz
16	461.2125	12.5 kHz
17	461.2375	12.5 kHz
18	461.2625	12.5 kHz
19	461.2875	12.5 kHz
20	461.3125	12.5 kHz
21	461.3375	12.5 kHz
22	461.3625	12.5 kHz
*23	462.7625	12.5 kHz
*24	462.7875	12.5 kHz
*25	462.8125	12.5 kHz
*26	462.8375	12.5 kHz
*27	462.8625	12.5 kHz
*28	462.8875	12.5 kHz

RDX UHF Frequencies (Continued)

Frequency #	Frequency (MHz)	Bandwidth
*29	462.9125	12.5 kHz
30	464.4875	12.5 kHz
31	464.5125	12.5 kHz
32	464.5375	12.5 kHz
33	464.5625	12.5 kHz
34	466.0375	12.5 kHz
35	466.0625	12.5 kHz
36	466.0875	12.5 kHz
37	466.1125	12.5 kHz
38	466.1375	12.5 kHz
39	466.1625	12.5 kHz
40	466.1875	12.5 kHz
41	466.2125	12.5 kHz
42	466.2375	12.5 kHz
43	466.2625	12.5 kHz
44	466.2875	12.5 kHz
45	466.3125	12.5 kHz
46	466.3375	12.5 kHz

Frequency #	Frequency (MHz)	Bandwidth
47	466.3625	12.5 kHz
*48	467.7875	12.5 kHz
*49	467.8375	12.5 kHz
*50	467.8625	12.5 kHz
*51	467.8875	12.5 kHz
*52	467.9125	12.5 kHz
53	469.4875	12.5 kHz
54	469.5125	12.5 kHz
55	469.5375	12.5 kHz
56	469.5625	12.5 kHz
57	462.1875	12.5 kHz
58	462.4625	12.5 kHz
59	462.4875	12.5 kHz
60	462.5125	12.5 kHz
61	467.1875	12.5 kHz
62	467.4625	12.5 kHz
63	467.4875	12.5 kHz
64	467.5125	12.5 kHz

RDX UHF Frequencies (Continued)

Frequency #	Frequency (MHz)	Bandwidth
65	451.1875	12.5 kHz
66	451.2375	12.5 kHz
67	451.2875	12.5 kHz
68	451.3375	12.5 kHz
69	451.4375	12.5 kHz
70	451.5375	12.5 kHz
71	451.6375	12.5 kHz
72	452.3125	12.5 kHz
73	452.5375	12.5 kHz
74	452.4125	12.5 kHz
75	452.5125	12.5 kHz
76	452.7625	12.5 kHz
77	452.8625	12.5 kHz
78	456.1875	12.5 kHz
79	456.2375	12.5 kHz
80	456.2875	12.5 kHz
81	456.3375	12.5 kHz
82	456.4375	12.5 kHz

Frequency #	Frequency (MHz)	Bandwidth
82	456.4375	12.5 kHz
83	456.5375	12.5 kHz
84	456.6375	12.5 kHz
85	457.3125	12.5 kHz
86	457.4125	12.5 kHz
87	457.5125	12.5 kHz
88	457.7625	12.5 kHz
89	457.8625	12.5 kHz
90	468.2125	12.5 kHz
91	468.2625	12.5 kHz
92	468.3125	12.5 kHz
93	468.3625	12.5 kHz
94	468.4125	12.5 kHz
95	468.4625	12.5 kHz
96	468.5125	12.5 kHz
97	468.5625	12.5 kHz
98	468.6125	12.5 kHz
99	468.6625	12.5 kHz

Note: (*) Frequency limited to 2 W maximum power output.

RDU4160 – UHF DEFAULT FREQUENCIES CHART

RDX UHF 16CH Radios Default Frequencies – RDU4160

Channel	Frequency #	Frequency (MHz)	Code #	Code	Bandwidth
1	1	464.5000	1	67.0 Hz	12.5 kHz
2	1	464.5000	4	77.0 Hz	12.5 kHz
3	1	464.5000	8	88.5 Hz	12.5 kHz
4	1	464.5000	29	179.9 Hz	12.5 kHz
5	1	464.5000	0	-	12.5 kHz
6	2	464.5500	1	67.0 Hz	12.5 kHz
7	2	464.5500	6	82.5 Hz	12.5 kHz
8	WC	162.4000	10	67.0 Hz	25.0 kHz
9	2	464.5500	29	179.9 Hz	12.5 kHz
10	2	464.5500	0	-	12.5 kHz
11	22	461.3625	3	74.4 Hz	12.5 kHz
12	30	462.4875	5	79.7 Hz	12.5 kHz
13	32	462.5375	7	85.4 Hz	12.5 kHz

RDX UHF 16CH Radios Default Frequencies – RDU4160

14	34	462.0375	9	91.5 Hz	12.5 kHz
15	36	464.0875	11	97.4 Hz	12.5 kHz
16	38	464.1375	13	103.5 Hz	12.5 kHz

Note: WC = Weather Channel Frequency

PROGRAMMING CUSTOMIZED FREQUENCIES ON RDU4160

4 W Models can be programmed to have customized frequencies (different from the ones shown in the UHF charts in previous pages). UHF range is 438 – 470 MHz.

4 W models can also be programmed to work with repeaters. Please contact your Motorola Solutions point of purchase for details.

CTCSS AND PL/DPL CODES

CTCSS Codes

CTCSS	Hz
1	67.0
2	71.9
3	74.4
4	77.0
5	79.7
6	82.5
7	85.4
8	88.5
9	91.5
10	94.8
11	97.4
12	100.0
13	103.5

CTCSS	Hz
14	107.2
15	110.9
16	114.8
17	118.8
18	123
19	127.3
20	131.8
21	136.5
22	141.3
23	146.2
24	151.4
25	156.7
26	162.2

CTCSS	Hz
27	167.9
28	173.8
29	179.9
30	186.2
31	192.8
32	203.5
33	210.7
34	218.1
35	225.7
36	233.6
37	241.8
38	250.3
122 (*)	69.3

Note: (*) New CTCSS code.

PL/DPL Codes

DPL	Code
39	23
40	25
41	26
42	31
43	32
44	43
45	47
46	51
47	54
48	65
49	71
50	72
51	73
52	74
53	114
54	115

DPL	Code
55	116
56	125
57	131
58	132
59	134
60	143
61	152
62	155
63	156
64	162
65	165
66	172
67	174
68	205
69	223
70	226

DPL	Code
71	243
72	244
73	245
74	251
75	261
76	263
77	265
78	271
79	306
80	311
81	315
82	331
83	343
84	346
85	351
86	364

PL/DPL Codes (Continued)

DPL	Code
87	365
88	371
89	411
90	412
91	413
92	423
93	431
94	432
95	445
96	464
97	465
98	466
99	503
100	506
101	516
102	532
103	546

DPL	Code
104	565
105	606
106	612
107	624
108	627
109	631
110	632
111	654
112	662
113	664
114	703
115	712
116	723
117	731
118	732
119	734
120	743

DPL	Code
121	754
123	645
124	Customized PL
125	Customized PL
126	Customized PL
127	Customized PL
128	Customized PL
129	Customized PL
130	Inverted DPL 39
131	Inverted DPL 40
132	Inverted DPL 41
133	Inverted DPL 42
134	Inverted DPL 43
135	Inverted DPL 44
136	Inverted DPL 45
137	Inverted DPL 46
138	Inverted DPL 47

PL/DPL Codes (Continued)

DPL	Code
139	Inverted DPL 48
140	Inverted DPL 49
141	Inverted DPL 50
142	Inverted DPL 51
143	Inverted DPL 52
144	Inverted DPL 53
145	Inverted DPL 54
146	Inverted DPL 55
147	Inverted DPL 56
148	Inverted DPL 57
149	Inverted DPL 58
150	Inverted DPL 59
151	Inverted DPL 60
152	Inverted DPL 61
153	Inverted DPL 62
154	Inverted DPL 63
155	Inverted DPL 64

DPL	Code
156	Inverted DPL 65
157	Inverted DPL 66
158	Inverted DPL 67
159	Inverted DPL 68
160	Inverted DPL 69
161	Inverted DPL 70
162	Inverted DPL 71
163	Inverted DPL 72
164	Inverted DPL 73
165	Inverted DPL 74
166	Inverted DPL 75
167	Inverted DPL 76
168	Inverted DPL 77
169	Inverted DPL 78
170	Inverted DPL 79
171	Inverted DPL 80
172	Inverted DPL 81

DPL	Code
173	Inverted DPL 82
174	Inverted DPL 83
175	Inverted DPL 84
176	Inverted DPL 85
177	Inverted DPL 86
178	Inverted DPL 87
179	Inverted DPL 88
180	Inverted DPL 89
181	Inverted DPL 90
182	Inverted DPL 91
183	Inverted DPL 92
184	Inverted DPL 93
185	Inverted DPL 94
186	Inverted DPL 95
187	Inverted DPL 96
188	Inverted DPL 97
189	Inverted DPL 98

PL/DPL Codes (Continued)

DPL	Code
190	Inverted DPL 99
191	Inverted DPL 100
192	Inverted DPL 101
193	Inverted DPL 102
194	Inverted DPL 103
195	Inverted DPL 104
196	Inverted DPL 105
197	Inverted DPL 106
198	Inverted DPL 107
199	Inverted DPL 108

DPL	Code
200	Inverted DPL 109
201	Inverted DPL 110
202	Inverted DPL 111
203	Inverted DPL 112
204	Inverted DPL 113
205	Inverted DPL 114
206	Inverted DPL 115
207	Inverted DPL 116
208	Inverted DPL 117
209	Inverted DPL 118

DPL	Code
210	Inverted DPL 119
211	Inverted DPL 120
212	Inverted DPL 121
213	Inverted DPL 123
214	Customized DPL
215	Customized DPL
216	Customized DPL
217	Customized DPL
218	Customized DPL
219	Customized DPL

ACCESSORIES

ANTENNA

Part No.	Description
RAN4031	UHF Whip Antenna 438–470 MHz
RAN4033	UHF Stubby Antenna 438–470 MHz

AUDIO ACCESSORIES

Part No.	Description
HKLN4601	Surveillance Earpiece BR
53815	Headset w/Boom Mic BR
HMN4606	Remote Speaker Mic BR
53865	Headset w/Swivel Boom Mic

Part No.	Description
HKLN4599	Earpiece w/Inline Mic Swivel
HKLN4604	Earpiece BR

BATTERY

Part No.	Description
RLN6308	High Capacity Li-Ion Battery
RLN6351	Standard Li-ion Battery

CABLES

Part No.	Description
RLN6303	Radio to Radio Cloning Cable
RKN4155	CPS Programming Cable

CHARGERS

Part No.	Description
RLN6304	Rapid ACCY Charging Kit - Americas (*)
RLN6309	Multi Unit Charger (MUC) Kit - North America
RLN6175	Standard Drop-in Tray Charger

CARRY ACCESSORIES

Part No.	Description
RLN6302	Leather Carry Case
RLN6307	Spring Action Belt Clip

SOFTWARE APPLICATIONS

Part No.	Description
RVN5147	Customer Programming Software (CPS)

POWER SUPPLIES AC PIN ADAPTERS

Part No.	Description
RLN6349	North America AC Pin Adapter

POWER SUPPLIES

Part No.	Description
RPN4054	Standard US Fixed Power Supply
RPN4058	Standard Exchg AC pin Pwr Supply
PMPN4005	Rapid Exchg AC pin Pwr Supply

MOTOROLA SOLUTIONS LIMITED WARRANTY FOR THE UNITED STATES AND CANADA

What Does this Warranty Cover?

Subject to the exclusions contained below, Motorola Solutions, Inc. warrants its telephones, pagers, and consumer and business two-way radios (excluding commercial, government or industrial radios) that operate via Family Radio Service or General Mobile Radio Service, Motorola Solutions-branded or certified accessories sold for use with these Products (“Accessories”) and Motorola Solutions software contained on CD-ROMs or other tangible media and sold for use with these Products (“Software”) to be free from defects in materials and workmanship under normal consumer usage for the period(s) outlined below.

This limited warranty is a consumer's exclusive remedy, and applies as follows to new Motorola Solutions Products, Accessories and Software purchased by consumers in the United States, which are accompanied by this written warranty.

Products and Accessories

Products Covered	Length of Coverage
Products and Accessories as defined above, unless otherwise provided for below.	One (1) year from the date of purchase by the first consumer purchaser of the product unless otherwise provided for below.
Decorative Accessories and Cases. Decorative covers, bezels, PhoneWrap™ covers and cases.	Limited lifetime warranty for the lifetime of ownership by the first consumer purchaser of the product.
Business Two-way Radio Accessories	One (1) year from the date of purchase by the first consumer purchaser of the product.
Products and Accessories that are Repaired or Replaced.	The balance of the original warranty or for ninety (90) days from the date returned to the consumer, whichever is longer.

MOTOROLA SOLUTIONS LIMITED
WARRANTY FOR THE UNITED
STATES AND CANADA

Exclusions

Normal Wear and Tear. Periodic maintenance, repair and replacement of parts due to normal wear and tear are excluded from coverage.

Batteries. Only batteries whose fully charged capacity falls below 80% of their rated capacity and batteries that leak are covered by this limited warranty.

Abuse & Misuse. Defects or damage that result from: (a) improper operation, storage, misuse or abuse, accident or neglect, such as physical damage (cracks, scratches, etc.) to the surface of the product resulting from misuse; (b) contact with liquid, water, rain, extreme humidity or heavy perspiration, sand, dirt or the like, extreme heat, or food; (c) use of the Products or Accessories for commercial purposes or subjecting the Product or Accessory to abnormal usage or conditions; or (d) other acts which are not the fault of Motorola Solutions, are excluded from coverage.

Use of Non-Motorola Solutions Products and Accessories. Defects or damage that result from the use of Non-Motorola Solutions branded or certified Products, Accessories, Software or other peripheral equipment are excluded from coverage.

Unauthorized Service or Modification. Defects or damages resulting from service, testing, adjustment, installation, maintenance, alteration, or modification in any way by someone other than Motorola Solutions, or its authorized service centers, are excluded from coverage.

Altered Products. Products or Accessories with (a) serial numbers or date tags that have been removed, altered or obliterated; (b) broken seals or that show evidence of tampering; (c) mismatched board serial numbers; or (d) nonconforming or non-Motorola Solutions housings, or parts, are excluded from coverage.

Communication Services. Defects, damages, or the failure of Products, Accessories or Software due to any communication service or signal you may subscribe to or use with the Products Accessories or Software is excluded from coverage.

Software

Products Covered	Length of Coverage
<p>Software. Applies only to physical defects in the media that embodies the copy of the software (e.g. CD-ROM, or floppy disk).</p>	<p>Ninety (90) days from the date of purchase.</p>

Exclusions

Software Embodied in Physical Media. No warranty is made that the software will meet your requirements or will work in combination with any hardware or software applications provided by third parties, that the operation of the software products will be

uninterrupted or error free, or that all defects in the software products will be corrected.

Software NOT Embodied in Physical Media.

Software that is not embodied in physical media (e.g. software that is downloaded from the internet), is provided “as is” and without warranty.

WHO IS COVERED?

This warranty extends only to the first consumer purchaser, and is not transferable.

HOW TO OBTAIN WARRANTY SERVICE OR OTHER INFORMATION?

Contact your Motorola point of purchase.

SOFTWARE COPYRIGHT NOTICE

The Motorola Solutions products described in this manual may include copyrighted Motorola Solutions and third party software stored in semiconductor memories or other media. Laws in the United States and other countries preserve for Motorola Solutions and third party software providers certain exclusive rights for copyrighted software, such as the exclusive rights to distribute or reproduce the copyrighted software. Accordingly, any copyrighted software contained in the Motorola Solutions products may not be modified, reverse-engineered, distributed, or reproduced in any manner to the extent allowed by law.

Furthermore, the purchase of the Motorola Solutions products shall not be deemed to grant either directly or by implication, estoppel, or otherwise, any license under the copyrights, patents, or patent applications of Motorola Solutions or any third party software provider, except for the normal, non-exclusive, royalty-free license to use that arises by operation of law in the sale of a product.

PATENT NOTICE

This product is covered by one or more of the following United States patents.
5896277 5894292 5864752 5699006 5742484
D408396 D399821 D387758 D389158 5894592
5893027 5789098 5734975 5861850 D395882
D383745 D389827 D389139 5929825 5926514
5953640 6071640 D413022 D416252 D416893
D433001

EXPORT LAW ASSURANCES

This product is controlled under the export regulations of the United States of America. The Governments of the United States of America may restrict the exportation or re-exportation of this product to certain destinations. For further information contact the U.S. Department of Commerce.

TABLE DES MATIÈRES

Table des matières	1
Sécurité du produit	5
Introduction	6
Contenu de l'emballage	6
Renseignements de licence FCC	7
Informations relatives aux interférences	7
Renseignements relatifs aux licences canadiennes	9
Information générale	9
Demande de licence	9
Renseignements sur l'utilisation sécuritaire des batteries et des chargeurs	11
Directives d'utilisation sécuritaire	12
Présentation de la radio	13
Parties de la radio	13
Bouton Marche/Arrêt/Volume	14
Bouton sélecteur de canal	14
Connecteur accessoire	14
Étiquette du modèle	14
Microphone	14

Antenne	14
Voyant lumineux	14
Boutons avant	14
Boutons latéraux	15
Batterie au lithium-ion (Li-Ion)	15
Caractéristiques de la batterie	16
À propos de la batterie lithium-ion	16
Recyclage et mise au rebut des batteries	17
Installation de la batterie au lithium-ion (Li-Ion)	18
Retrait de la batterie au lithium-ion (Li-Ion)	18
Installation de l'antenne	19
Retrait de l'antenne	19
Installation de la pince de ceinture à ressort	20
Bloc d'alimentation, adaptateur et chargeur instantané	20
Information sur l'autonomie de la batterie	21
Charge de la batterie	22
Voyants DEL du chargeur instantané	24

Durée de charge estimée	26	Réglage de la sensibilité VOX/iVOX	36
Voyants DEL du chargeur multi-unités	28	Gain du microphone	37
Pour commencer	29	Fonctions de programmation	38
Mise sous tension et hors tension		Mode de configuration avancée	38
de la radio	29	Accès au mode de configuration	
Réglage du volume	29	avancée	38
LECTURE DE L’AFFICHAGE	29	Programmation des fréquences RX	
Sélection d’un canal	29	(réception)	39
Conversation et contrôle	30	Programmation des codes RX (réception)	
Recevoir un appel	30	(CTCSS/DPL)	39
Indicateurs d’intensité du signal		Programmation du brouillage	40
et de canal occupé	30	Programmation d’un nombre maximal de	
Portée de communication	31	canaux	41
Voyants DEL de la radio	33	Programmation des tonalités d’appel	41
Utilisation en mains libres/VOX	34	Programmation du niveau de gain du	
Avec accessoires VOX compatibles	34	microphone	42
Activation du message vocal en mode		Programmation du niveau de gain du	
utilisateur	35	microphone auxiliaire	43
Mode de tonalité de mise sous tension	35	Autres fonctions de programmation	44
Réinitialisation des paramètres par défaut	35	Balayage	44
Bips du clavier	35	Programmation de la liste de	
Verrouillage et déverrouillage du clavier	36	balayage	44
Options de menu	36	Programmation du canal météo	

(non autorisé sur le modèle RDX4163)	45	Mode d'alerte météo	51
Modification du nom de l'alias du canal	46	Tableau des fréquences de canal météo	51
Suppression des nuisances sur le canal	46	Il existe deux modes d'opération des alertes météo :	52
Logiciel de programmation client (CPS)	47	EOM activé	52
Minuterie de délai d'attente	48	Minuterie de nouvelle tonalité d'alerte	52
Sélection de l'alimentation	48	Filtre de type d'événement	53
Tonalités d'appel	49	Tous les événements	53
Brouillage	49	Événement de test d'alarme	53
Rafale en arrière	49	Avertissement	54
Texte-parole (modification des alias vocaux prédéfinis)	49	Veille	54
Case à cocher Activation des messages vocaux prédéfinis par l'utilisateur	49	Urgence	54
Messages vocaux prédéfinis par l'utilisateur	49	Communiqué	54
Importer un fichier vocal	49	Filtre de code d'événement	55
Écoute des messages vocaux définis par l'utilisateur	50	Blocage d'événement	55
Fonction météo (non offerte sur le modèle RDU4163)	50	Code d'événement	55
		Tableau des événements critiques	55
		Filtre géographique	57
		État	57
		Comté	57
		FIPS	57
		Clonage de radios	58

Clonage avec un chargeur multi-unités (MUC)	58	Antenne	80
Clonage de la radio au moyen du câble de clonage de radio à radio (R2R) (accessoire en option).	60	Accessoires audio	80
Clonage à partir du logiciel de programmation client (CPS)	62	Batterie.	80
Dépannage	63	Câbles	81
Utilisation et entretien.	67	Chargeurs	81
Graphiques des fréquences et des codes	68	Accessoires de transport	81
RDU4163 – TABLEAU DES FRÉQUENCES UHF PAR DÉFAUT.	68	Applications logicielles	81
RDX – Tableau des fréquences UHF	70	Adaptateurs c.a. à broches pour blocs d'alimentation	81
RDU4160 – Tableau des fréquences UHF par défaut	73	Blocs d'alimentation	82
PROGRAMMATION DES FRÉQUENCES PERSONNALISÉES SUR LE MODÈLE EDR4160	74	Garantie limitée de Motorola Solutions pour les États-Unis et le Canada	83
Codes CTCSS et PL/DPL	75		
Accessoires	80		

SÉCURITÉ DU PRODUIT

SÉCURITÉ DU PRODUIT ET RESPECT DES NORMES RELATIVES À L'EXPOSITION AUX FRÉQUENCES RADIO



Mise en garde

Avant d'utiliser ce produit, veuillez lire les instructions d'utilisation et les informations sur l'exposition aux fréquences radio contenues dans la brochure « Sécurité du produit et exposition aux fréquences radio » fournie avec votre radio.

ATTENTION!

Pour être conforme aux règlements de la FCC relatifs aux normes d'exposition aux radiofréquences, cette radio ne doit être utilisée qu'à des fins professionnelles.

Pour obtenir une liste des antennes, des batteries et des autres accessoires autorisés par Motorola Solutions, visitez le site Web suivant :

www.motorolasolutions.com/RDX

INTRODUCTION

Nous vous remercions d'avoir acheté la radio RDX Series™ de Motorola Solutions®. Cette radio est le produit de plus de 80 années d'expérience de Motorola Solutions en tant que leader mondial dans la conception et la fabrication d'équipement de communication. Les radios RDX Series offrent des communications à bon prix pour les entreprises telles que les magasins de détail, les restaurants, les écoles, les sites de construction, les manufactures, l'hôtellerie et bien plus encore. Les radios professionnelles bidirectionnelles de Motorola Solutions constituent la solution parfaite pour tous les secteurs au rythme rapide d'aujourd'hui.

Remarque : Lisez attentivement ce guide d'utilisation pour vous assurer que vous savez comment vous servir de votre radio de la façon adéquate avant de l'utiliser

CONTENU DE L'EMBALLAGE

- Radio
- Antenne
- Batterie au lithium-ion
- Pince de ceinture

- Bloc d'alimentation
- Guide de référence rapide
- Chargeur instantané
- Brochure sur la sécurité du produit et l'exposition aux RF

Si vous souhaitez obtenir un exemplaire en gros caractères de ce guide de l'utilisateur ou avez une question relative au produit, veuillez communiquer avec

1 800 448-6686 aux États-Unis

1 800 927-4575 au Canada

1 888 390-6456 sur TTY (téléscripteur)

Pour des renseignements relatifs au produit, visitez-nous au :

www.motorolasolutions.com/RDX

Ou

Radios professionnelles

Boîte postale 1C15, Motorola

8000, boul. Sunrise Ouest

Plantation, Floride 33322

RENSEIGNEMENTS DE LICENCE FCC

INFORMATIONS RELATIVES AUX INTERFÉRENCES

Cet appareil est conforme aux stipulations de la Partie 15 des règlements de la FCC. Son utilisation est assujettie à la condition qu'il ne cause pas d'interférence nuisible.

Les radios professionnelles bidirectionnelles de la série RDX fonctionnent sur des fréquences radio régies par la Federal Communications Commission (FCC). Afin de

transmettre sur ces fréquences, vous devez vous procurer une licence émise par la FCC. La demande doit être faite en remplissant le formulaire 601 et les annexes D et H, ainsi que le formulaire 159 (Remittance Form) de la FCC.

Pour obtenir ces formulaires de la FCC, demandez le document 000601 qui comprend tous les formulaires et les instructions. Si vous souhaitez que le document vous soit envoyé par télécopieur, par la poste ou si vous avez des questions, utilisez les coordonnées suivantes.

**Pour obtenir une
télécopie, appelez le
système Fax-On-
Demand au :**

1 202 418-0177

**Pour obtenir une copie par la poste
des formulaires de la FCC,
appelez au :**

1 800 418-FORM
1 800 418-3676

**Pour des questions
concernant la licence FCC,
appelez la FCC au :**

1 888 CALL-FCC
1 888 225-5322
Ou visitez la page :
<http://www.fcc.gov>

Avant de remplir votre demande, vous devez décider sur quelles fréquences vous souhaitez exploiter les radios. Reportez-vous à la section « Graphiques des fréquences et des codes ». Pour toute question sur le choix de la fréquence radio, appelez les services sur les produits de Motorola Solutions au :

1 800 448-6686

Toute modification effectuée à cet appareil sans l'autorisation explicite de Motorola Solutions peut annuler l'autorisation d'utiliser cet appareil, telle qu'autorisée par la FCC, et ne devrait pas être faite. Pour se conformer aux exigences de la FCC, les réglages de l'émetteur doivent être effectués par ou sous la surveillance d'un technicien certifiée pour faire l'entretien et les réparations d'émetteur-récepteur pour les services fixes ou mobiles terrestres privés, dont la certification provient

d'un représentant de l'organisation de l'utilisateur de ces services.

Le remplacement de n'importe quel composant de l'émetteur-récepteur (quartz, semi-conducteurs, etc.) non autorisé par l'autorisation d'équipement de la FCC pour cette radio risque d'enfreindre la réglementation de la FCC.

L'utilisation de cette radio en dehors du pays pour lequel elle est distribuée est soumise aux réglementations gouvernementales et peut être interdite.

RENSEIGNEMENTS RELATIFS AUX LICENCES CANADIENNES

INFORMATION GÉNÉRALE

Le fonctionnement de votre radio Motorola Solutions est assujéti à la Loi sur la radiocommunication et doit se conformer aux règles et règlements du ministère de l'Industrie Innovation, Sciences et Développement économique Canada (du gouvernement fédéral. Innovation, Sciences et Développement économique Canada exige que les utilisateurs de fréquences mobiles terrestres privées obtiennent une licence avant d'utiliser leur équipement.

Le formulaire de demande de licence d'Industrie Canada est inclus avec votre radio. Vous pouvez obtenir des formulaires supplémentaires et les plus récentes versions de demandes de licence auprès d'un bureau de district d'Innovation, Sciences et Développement économique Canada. Une liste de ces bureaux est incluse pour votre information. Cet appareil est conforme aux CNR d'Industrie Canada applicables aux appareils radio exempts de licence. Son utilisation est assujéti aux deux conditions suivantes:

1. Cet appareil ne doit pas causer d'interférence.
2. Cet appareil doit accepter toute interférence reçue, y compris les interférences pouvant entraîner un fonctionnement indésirable de l'appareil.

DEMANDE DE LICENCE

Instructions générales

1. Remplissez les éléments en suivant les instructions. Si vous avez besoin d'espace supplémentaire pour tout élément, utilisez le verso de la demande.
2. Assurez-vous d'utiliser une machine à écrire ou d'écrire lisiblement.
3. Faites une copie pour vos fichiers.
4. Préparez un chèque ou un mandat-poste au nom du « receveur général du Canada » au montant qui figure dans l'annexe suivante pour chaque radio achetée. (Les licences sont valides jusqu'au 1^{er} avril de chaque année, puis sont renouvelées.)
5. Postez votre demande remplie ainsi que votre chèque ou votre mandat-poste au bureau de district d'Innovation, Sciences et Développement économique Canada le plus près, conformément

à la liste des pages à.

Pour obtenir le plus récent formulaire de demande de licence canadienne, veuillez visiter :

www.ic.gc.ca

RENSEIGNEMENTS SUR L'UTILISATION SÉCURITAIRE DES BATTERIES ET DES CHARGEURS

Ce document contient d'importantes directives relatives à la sécurité et au fonctionnement de l'appareil. Veuillez lire attentivement cette notice et la conserver pour vous y référer ultérieurement.

Avant d'utiliser le chargeur de batterie, lisez toutes les directives et marquages d'avertissement propres

- au chargeur,
 - à la batterie et
 - à la radio qui utilise cette batterie
1. Afin de réduire les risques de blessure, ne chargez que les batteries rechargeables agréées Motorola Solutions. Les batteries non agréées pourraient exploser et causer des blessures corporelles et autres dommages.
 2. L'utilisation d'accessoires non recommandés

par Motorola Solutions pourrait occasionner des risques d'incendie, de choc électrique ou de blessure.

3. Afin de réduire la possibilité d'endommager la fiche et le cordon d'alimentation, débranchez le chargeur en tirant sur la fiche au lieu du cordon.
4. Il n'est pas recommandé d'utiliser une rallonge, sauf en cas de nécessité absolue. L'utilisation d'une rallonge inappropriée pourrait causer un risque d'incendie et de choc électrique. Si une rallonge doit être utilisée, assurez-vous que le format du cordon est de calibre 18 lorsque sa longueur est de 100 pieds (30,48 m) ou moins et de calibre 16 lorsque sa longueur est de 150 pieds (45,72 m) ou moins.
5. Pour réduire le risque d'incendie, de choc électrique ou de blessure, n'utilisez pas le chargeur s'il est brisé ou endommagé de quelque manière que ce soit. Apportez-le à un technicien Motorola qualifié.

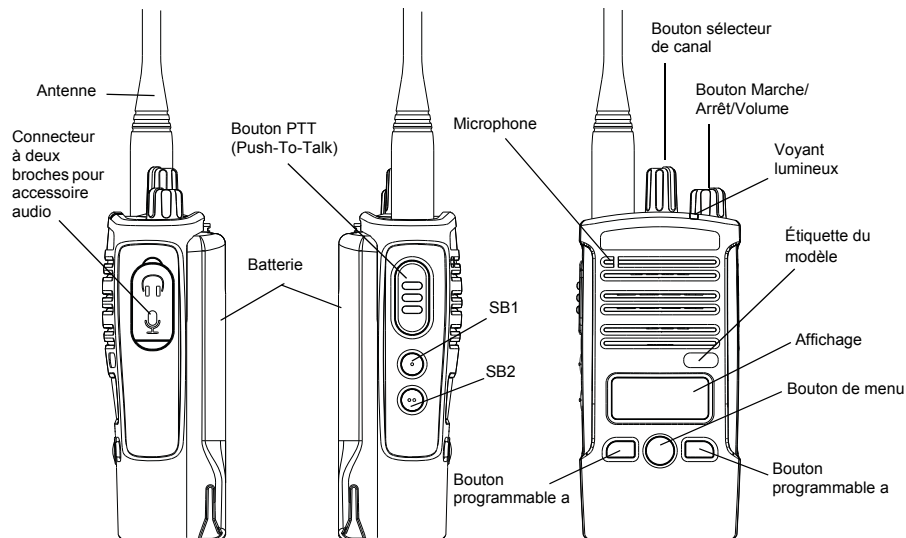
6. Ne désassemblez pas le chargeur. Il ne peut être réparé et aucune pièce de rechange n'est disponible. Le désassemblage du chargeur pourrait occasionner des risques de choc électrique ou d'incendie.
7. Pour réduire les risques de choc électrique, débranchez le chargeur de la prise c.a. avant de procéder à une maintenance ou à un nettoyage.

DIRECTIVES D'UTILISATION SÉCURITAIRE

- Éteignez la radio lorsque vous chargez la batterie.
- Le chargeur n'est pas conçu pour une utilisation à l'extérieur. Ne l'utilisez que dans des emplacements secs et sous des conditions de nature semblable.
- Ne branchez le chargeur qu'à un bloc d'alimentation à fusible câblé approprié de tension prescrite (telle que spécifiée sur le produit).
- Débranchez le chargeur de la tension de secteur en retirant la fiche principale.
- La prise de courant à laquelle cet équipement est branché doit se trouver à proximité et être facilement accessible.
- Pour les appareils utilisant des fusibles, les pièces de rechange devront être conformes aux instructions fournies dans la documentation.
- La température ambiante maximale autour du bloc d'alimentation ne doit pas dépasser 40 °C (104 °F).
- La puissance de sortie du bloc d'alimentation ne devra pas dépasser la puissance indiquée sur l'étiquette du produit apposée sous le chargeur.
- Assurez-vous que le cordon est placé à un endroit où il ne sera pas écrasé ou endommagé, ne gênera pas le passage, ne sera pas tendu de façon anormale et ne sera pas exposé à une source d'humidité.

PRÉSENTATION DE LA RADIO

PARTIES DE LA RADIO



Bouton Marche/Arrêt/Volume

Utilisé pour allumer et éteindre la radio et régler le volume.

Bouton sélecteur de canal

Utilisé pour changer les canaux de la radio.

Connecteur accessoire

Utilisé pour connecter des accessoires audio compatibles.

Étiquette du modèle

Indique le modèle de la radio.

Microphone

Parlez clairement dans le microphone lors de l'envoi d'un message.

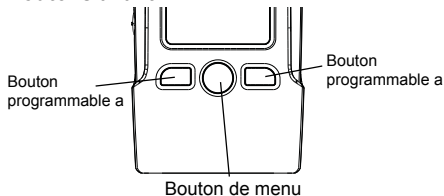
Antenne

Pour les modèles **RDX4160** et **RDX4163**, les antennes sont amovibles.

Voyant lumineux

Utilisé pour indiquer l'état de la batterie, de mise sous tension et de balayage et donner de l'information relative aux appels radio.

Boutons avant



Bouton de menu

- Donne accès aux fonctions de configuration comme les niveaux VOX/iVOX, etc. Il vous permet également de parcourir toutes les fonctions lorsque vous êtes en mode de programmation. Paramètre par défaut pour prérégler le canal 1.

Bouton programmable a

- Vous permet de sélectionner les options de niveau ou de bascule pour des fonctions affichées à l'écran. Paramètre par défaut pour générer la tonalité d'appel actuellement programmée.

Bouton programmable b

- Vous permet de sélectionner les options de niveau ou de bascule pour des fonctions affichées à l'écran. Paramètre par défaut réglé au mode de rétroéclairage.

Remarque : Le fait d'appuyer brièvement sur le bouton programmable (A ou B) règle la radio au canal prédéfini et la radio émet une forte tonalité. Vous pouvez attribuer différentes fonctions à ces boutons depuis le CPS. Exemple : Expiration du rétroéclairage, rafale en arrière, balayage ou suppression d'un canal nuisible, contrôle et tonalités d'appel. Pour en savoir plus sur la façon de programmer ces boutons, reportez-vous aux sections « Mode de configuration avancée » à la page 38 et « » à la page 47.

BOUTONS LATÉRAUX**Bouton d'émission (PTT)**

- Maintenez ce bouton enfoncé pour parler et relâchez-le pour écouter.

Bouton latéral 1 (SB1)

- Le bouton latéral 1 est un bouton général qui peut être configuré à partir du logiciel de programmation client (CPS). Le paramètre par défaut du SB1 est réglé à « Contrôle ».

Bouton latéral 2 (SB2)

- Le bouton latéral 2 est un bouton général qui peut être configuré par le CPS. Le paramètre par défaut du bouton SB2 est Balayage/Suppression d'un canal nuisible.

Batterie au lithium-ion (Li-Ion)

La radio de série RDX est livrée avec une batterie au lithium-ion de capacité standard. D'autres batteries peuvent être disponibles. Pour plus d'informations, reportez-vous à la section « Caractéristiques de la batterie » à la page 16.

Ce guide de l'utilisateur couvre plusieurs modèles de la série RDX et peut décrire certaines fonctionnalités dont ne dispose pas votre radio. Le modèle de la radio est indiqué au bas de la radio et fournit les informations suivantes :

Tableau 1 : Spécifications de la radio Série RDX

Modèle	Bande de fréquences	Puissance de transmission (watts)	Nombre de canaux	Antenne
RDU4160	UHF	4	16	Amovible
RDU4163	UHF	4	16	Amovible

CARACTÉRISTIQUES DE LA BATTERIE

Les radios de série RDX sont offertes avec des batteries au lithium-ion de différentes capacités qui définissent la durée de vie de la batterie.

À propos de la batterie lithium-ion

La radio Série RDX est équipée d'une batterie lithium-ion rechargeable. Cette batterie doit être entièrement chargée avant la première utilisation pour assurer une capacité et une performance optimales.

L'autonomie de la batterie dépend de plusieurs facteurs. Parmi les plus importants, on retrouve la surcharge régulière des batteries et le niveau de perte de charge associé à chaque cycle. Généralement, un état de surcharge fréquent et un niveau de perte de charge important entraînent une diminution du

nombre de cycles de la batterie. Par exemple, une batterie surchargée et déchargée à 100 % plusieurs fois par jour offrira moins de cycles de vie qu'une batterie moins surchargée et dont le niveau de perte de charge est de 50 % par jour. En outre, une batterie dont l'état de surcharge est minimal et dont le niveau de perte de charge moyen est de 25 % durera plus longtemps.

Les batteries Motorola Solutions sont conçues spécifiquement pour être utilisées avec un chargeur Motorola Solutions et inversement. La charge de la batterie au moyen d'un chargeur non-Motorola Solutions peut endommager la batterie et annuler sa garantie. La température de la batterie doit être d'environ 25 °C (77 °F) chaque fois que c'est possible. La charge de la batterie froide (moins de 10 °C

[50 °F]) peut entraîner une fuite d'électrolytes et, éventuellement, la défaillance de la batterie. La charge d'une batterie chaude (plus de 35 °C [95 °F]) réduit la capacité de charge, ce qui affecte la performance de la radio. Les chargeurs rapides de Motorola Solutions contiennent un circuit de détection de la chaleur pour s'assurer que la température des batteries en cours de charge respecte les seuils de température indiqués ci-dessus.

Recyclage et mise au rebut des batteries

Les batteries au lithium-ion peuvent être recyclées. Cependant, on ne retrouve pas des installations de recyclage appropriées dans toutes les régions. En vertu de différentes lois d'États américains et des lois de plusieurs autres pays, les batteries doivent être recyclées et ne peuvent pas être mises au rebut dans les sites d'enfouissement ou les incinérateurs. Communiquez avec votre agence de gestion de l'élimination des déchets obtenir des renseignements et connaître les exigences applicables dans votre région. Motorola Solutions soutient pleinement et encourage le recyclage des batteries au lithium-ion. Aux États-Unis et au Canada, Motorola Solutions participe au programme national Rechargeable Battery Recycling Corporation (Société de recyclage

des piles rechargeables) qui a comme objectif la collecte et le recyclage des batteries au lithium-ion.

De nombreux détaillants participent à ce programme. Pour connaître l'emplacement du dépôt le plus proche, consultez le site Web de la RBRC à l'adresse suivante :

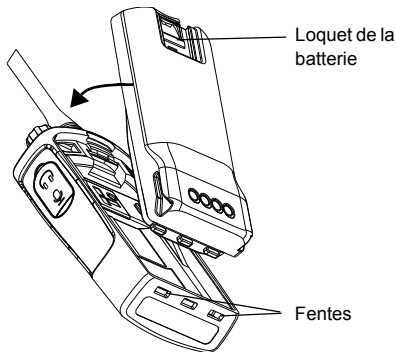
<http://www.call2recycle.org>

Ou encore, composez le :

877 723-1297

Ce site Internet et ce numéro de téléphone donnent accès à des informations utiles sur les possibilités de recyclage qui s'offrent aux consommateurs, aux entreprises et aux agences gouvernementales.

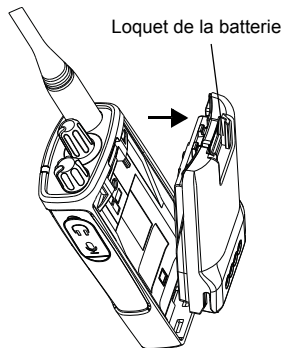
Installation de la batterie au lithium-ion (Li-Ion)



1. Éteignez la radio.
2. Le logo Motorola Solutions sur la batterie étant tourné vers le haut, insérez les languettes au bas de la batterie dans les fentes au bas du corps de la radio.
3. Appuyez sur la partie supérieure de la batterie en direction de la radio jusqu'à ce que vous entendiez un clic.

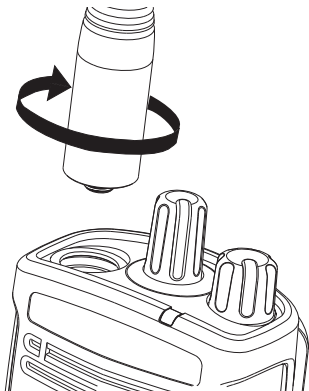
Remarque : Pour en savoir plus sur les caractéristiques liées à la durée de vie de la batterie au lithium-ion, reportez-vous à la section « À propos de la batterie lithium-ion » à la page 16.

Retrait de la batterie au lithium-ion (Li-Ion)



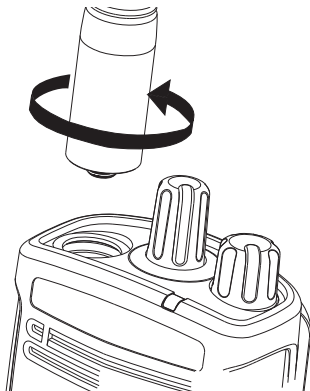
1. Éteignez la radio.
2. Poussez le loquet de la batterie vers le bas et maintenez-le pendant que vous enlevez la batterie.
3. Retirez la batterie de la radio.

Installation de l'antenne



1. Alignez l'extrémité fileté de l'antenne de la radio au connecteur d'antenne.
2. Tournez l'antenne dans le sens horaire pour la fixer.

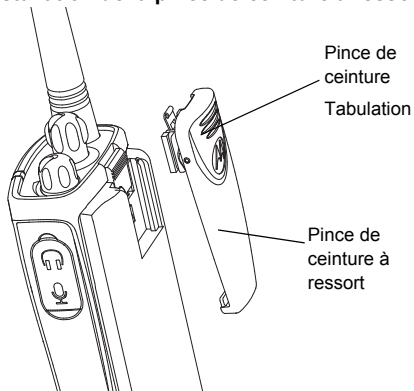
Retrait de l'antenne



1. Tournez l'antenne dans le sens antihoraire jusqu'à ce que vous puissiez la retirer.

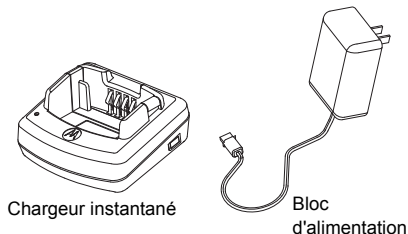
Remarque : Ces directives s'appliquent **UNIQUEMENT** aux modèles RDU4100 et RDV5100. Ne tentez pas de retirer l'antenne si votre radio n'est pas un de ces modèles.

Installation de la pince de ceinture à ressort



1. Faites glisser les rails de la pince de ceinture à ressort dans les rainures à l'arrière de la batterie et faites-la glisser vers le bas jusqu'à ce que la languette de la pince de ceinture s'enclenche.
2. Pour la retirer, tirez la languette de dégagement en métal sur la pince de ceinture et faites glisser la pince de ceinture à ressort vers le haut pour la retirer.

Bloc d'alimentation, adaptateur et chargeur instantané



La radio est équipée d'un chargeur instantané et d'un bloc d'alimentation avec adaptateur. Pour obtenir plus d'information, reportez-vous à la section « Chargeurs » à la page 81.

Information sur l'autonomie de la batterie

Lorsque la fonction Économie de la batterie est activée (réglage par défaut), l'autonomie de la batterie

est prolongée. Le tableau suivant indique les durées de charge estimées des batteries.

Tableau 2 : Durée de vie de la batterie lithium-ion avec la fonction d'économiseur de batterie activée

Type de batterie	5 watts	4 watts
Haute capacité	15 heures	15 heures

Remarque : L'estimation de l'autonomie de la batterie est fondée sur un cycle de vie réparti de cette façon : transmission, 5 %; réception, 5 %; mode veille, 90 %.

Charge de la batterie

La radio de série RDX offre deux types de chargeurs :

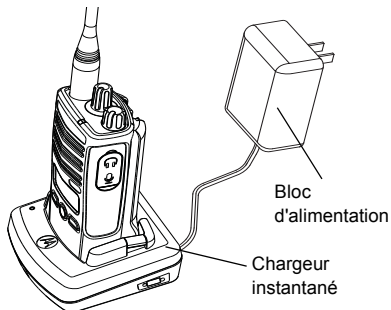
- Le chargeur standard et
- le chargeur rapide

Remarque : La radio est fournie avec un bloc d'alimentation standard.

Pour charger la batterie (alors qu'elle est insérée dans la radio), placez-la dans un chargeur instantané pour appareil unique ou un chargeur instantané multi-unités approuvé par Motorola.

Remarque : Lorsque vous vous procurez des chargeurs ou des blocs d'alimentation supplémentaires, assurez-vous d'avoir des ensembles de chargeurs instantanés et de blocs d'alimentation semblables (tous « rapides » ou tous « standards »). Pour obtenir de plus amples détails au sujet des numéros de pièce, reportez-vous à la section « Chargeurs » à la page 81.

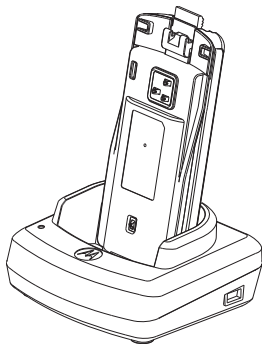
Charge de la batterie avec le support de charge pour unité simple DLR (SUC)



1. Déposez le chargeur instantané sur une surface plane.
2. Insérez le connecteur du bloc d'alimentation dans le port arrière du chargeur instantané.
3. Branchez l'adaptateur c.a. dans une prise murale.
4. Insérez la radio dans le support de charge pour unité simple avec la radio faisant face à l'avant, comme illustré.

Remarque : Lorsque vous chargez une batterie insérée dans la radio, éteignez la radio afin d'assurer une charge complète. Pour obtenir plus de renseignements à ce sujet, consultez la section « Directives d'utilisation sécuritaire » à la page 12.

Charge d'une batterie autonome



Pour charger uniquement la batterie : à l'étape 4 à la page 22, insérez la batterie dans le chargeur avec la surface intérieure de la batterie faisant face à l'avant du support de charge pour unité simple, comme illustré. Alignez les fentes de la batterie avec les rainures d'alignement dans le support de charge pour unité simple.

Remarque : Assurez-vous que le support dans le chargeur est ajusté à la bonne position pour une batterie de capacité standard ou élevée. Consultez la section « Charge d'une batterie standard » à la droite.

Voyants DEL du chargeur instantané

Tableau 3 : Voyant DEL du chargeur standard

État	Voyant lumineux	Commentaires
Mise sous tension	Voyant rouge continu pendant trois secondes	Mise sous tension
Charge en cours	Clignotement rouge (lent)	Le chargeur est en cours de chargement
Charge complète	Voyant rouge continu	La batterie est entièrement chargée
Batterie défectueuse (*)	Clignotement rouge (rapide)	La batterie était défectueuse lorsqu'elle a été insérée

(*) Repositionner la batterie suffira normalement à corriger ce problème.

Tableau 4 : Voyant DEL du chargeur rapide

État	Voyant lumineux	Commentaires
Mise sous tension	Voyant vert continu pendant trois secondes	Mise sous tension
Charge en cours	Clignotement vert	Le chargeur est en cours de chargement
Compléter le chargement	Clignotement vert (lent)	Batterie presque entièrement chargée
Charge complète	Voyant vert continu	La batterie est entièrement chargée
Batterie défectueuse (*)	Clignotement rouge (rapide)	La batterie était défectueuse lorsqu'elle a été insérée
En attente de charge (**)	Voyants à deux clignotements jaunes	Les conditions de charge de la batterie ne sont pas convenables

(*) Repositionner la batterie suffira normalement à corriger ce problème.

(**) La température de la batterie est trop basse ou trop élevée ou la tension utilisée n'est pas correcte.

Durée de charge estimée

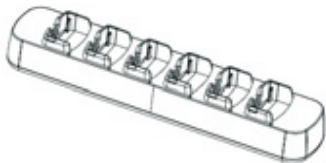
Le tableau suivant indique les durées de charge estimées des batteries. Pour plus d'informations,

reportez-vous à la section « Accessoires audio » à la page 80.

Tableau 5 : Durée de charge estimée de la batterie

Solutions de chargement	Durée de charge estimée
	Batterie haute capacité
Standard	12 heures
Rapide	3 heures

Charge de la radio et de la batterie avec un chargeur multi-unités – MUC (accessoire en option)



Le chargeur multi-unités (MUC) permet de charger simultanément jusqu'à 6 radios ou batteries. Les batteries peuvent être chargées à l'intérieur ou à l'extérieur de la radio; elles peuvent en outre être placées séparément dans le MUC. Chacun des 6 compartiments de charge peut loger une radio (placée ou non dans son étui) ou une batterie, mais pas les deux à la fois.

1. Placez le chargeur multi-unités sur une surface plane.
2. Branchez le cordon d'alimentation sur le connecteur à deux broches du MUC.
3. Branchez l'autre extrémité du cordon d'alimentation dans une prise secteur.

4. Éteignez la radio.
5. Fixez le support amovible en fonction du type de batterie.
6. Insérez la radio ou la batterie dans le compartiment de charge avec la radio.

Remarque :

- Ce chargeur multi-unités permet de cloner un maximum de trois radios (trois radios sources et trois radios cibles). Reportez-vous à « Clonage avec un chargeur multi-unités (MUC) » à la page 58 pour plus d'information.
- Vous trouverez plus de renseignements au sujet du fonctionnement du chargeur multi-unités dans les feuilles d'instructions fournies avec le MUC. Pour plus d'informations sur les pièces et numéros de pièce, reportez-vous au Chapitre « Accessoires » à la page 80.

Voyants DEL du chargeur multi-unités

Tableau 6 : Voyant DEL du chargeur MUC

État	Voyant lumineux	Commentaires
Charge en cours	Voyant rouge continu	Le chargeur est en cours de chargement
Charge complète	Voyant vert continu	La batterie est entièrement chargée
Batterie défectueuse (*)	Clignotement rouge (rapide)	La batterie était défectueuse lorsqu'elle a été insérée

(*) Repositionner la batterie suffira normalement à corriger ce problème.

POUR COMMENCER

Pour les explications suivantes, reportez-vous à «Parties de la radio» à la page 13.

MISE SOUS TENSION ET HORS TENSION DE LA RADIO

Pour allumer la radio, faites tourner le bouton Marche/Arrêt/Volume dans le sens horaire. L'un des éléments suivants se produit :

- Tonalité de mise sous tension et annonce du numéro de canal
- Annonces du niveau de charge de la batterie et du numéro de canal
- Silencieux (tonalités audibles désactivées)

Clignotement bref du voyant DEL rouge

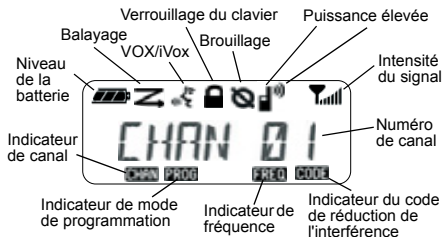
Pour éteindre la radio, faites tourner le bouton Marche/Arrêt/Volume dans le sens antihoraire jusqu'à ce que vous entendiez un clic et que le voyant de la radio s'éteigne.

RÉGLAGE DU VOLUME

Faites tourner le bouton Marche/Arrêt/Volume dans le sens horaire pour augmenter le volume ou dans le sens antihoraire pour le réduire.

Remarque : Ne placez pas la radio trop proche de votre oreille lorsque le volume est élevé ou durant le réglage du volume

LECTURE DE L'AFFICHAGE



Remarque : L'affichage de radio présenté ici illustre uniquement l'emplacement des icônes. L'affichage peut être différent (canal et code) selon les paramètres radio programmés par défaut et les fonctions disponibles selon le modèle ou la région. Le rétroéclairage est activé en appuyant sur n'importe quel bouton, sauf le bouton PTT.

SÉLECTION D'UN CANAL

Pour sélectionner un canal, tournez le bouton de sélection de canaux jusqu'au canal désiré. Une voix audible indique le canal sélectionné.

Chaque canal est doté d'une fréquence, d'un code de réduction d'interférence et de paramètres de balayage exclusifs.

CONVERSATION ET CONTRÔLE

Il est important de prendre connaissance du trafic avant d'émettre afin d'éviter de « parler par-dessus » un autre utilisateur qui émet déjà.

Pour ce faire, maintenez le bouton SB1(*) enfoncé pour accéder au trafic du canal.

Si aucune activité n'est en cours, vous entendrez de la statique. Pour quitter, appuyez de nouveau sur le bouton SB1. Une fois le trafic du canal dégagé, commencez votre appel en appuyant sur le bouton PTT. Lors de la transmission, le voyant reste allumé en rouge fixe.

- Pour écouter toutes les activités sur un canal sélectionné, appuyez brièvement sur le bouton SB1 pour régler le code CTCSS/DPL à 0. Cette fonction est appelée « Annulation CTCSS/DPL (réglé au mode SILENCIEUX) ».

- (*) Cela suppose que le bouton SB1 n'est pas programmé pour un autre mode.

RECEVOIR UN APPEL

1. Sélectionnez un canal en tournant le bouton sélecteur de canal jusqu'au canal désiré. Une voix audible indique le canal sélectionné.
2. Assurez-vous de relâcher le bouton PTT et écoutez la voix.
3. Le voyant DEL reste allumé en rouge fixe lorsque la radio reçoit un appel.
4. Pour répondre, tenez la radio à la verticale, à une distance de 2,5 cm à 5 cm (de 1 po à 2 po) de vos lèvres. Appuyez sur le bouton PTT pour parler; relâchez-le pour écouter.

INDICATEURS D'INTENSITÉ DU SIGNAL ET DE CANAL OCCUPÉ

Lorsqu'il y a de l'activité sur une fréquence, la radio affiche l'icône de l'indicateur d'intensité du signal et le voyant DEL clignote plus rapidement. Lorsque votre radio est en mode réception (Rx) et qu'il y a de l'activité sur la même fréquence et le même code que votre radio, l'icône d'indicateur

d'intensité du signal radio peut passer de 1 (plus faible) à 6 (plus puissant) selon la couverture de la réception radio. Ceci vous aide à déterminer si votre radio est hors de portée.

Remarque : Des obstacles qui bloquent le parcours du signal affectent l'intensité du signal entrant



Indicateur d'intensité du signal

PORTÉE DE COMMUNICATION

PORTÉE DE COMMUNICATION		
	Industriel	Étages
Modèle	À l'intérieur des bâtiments industriels,	À l'intérieur des bâtiments à étages

UHF 4W	Jusqu'à 32 516 m ² (350 000 pi ²)	Jusqu'à 30 étages
--------	---	-------------------

Pour établir une bonne communication bidirectionnelle, le canal, la fréquence et le code de réduction de l'interférence doivent être identiques sur les deux radios. Ceci dépend du profil enregistré qui a été programmé dans la radio :

- 1. Canal :** le canal actuellement utilisé par la radio, propre au modèle de radio.
- 2. Fréquence :** Le canal est la fréquence que la radio utilise pour la transmission et la réception.
- 3. Code de réduction de l'interférence :** Ces codes aident à réduire les interférences en offrant un choix de combinaisons de code.
- 4. Code brouillage :** Des codes qui permettent de brouiller les transmissions afin que toute personne qui n'est pas définie sur ce code ne puisse pas écouter.
- 5. Bande passante :** Certaines fréquences comportent un espacement des canaux

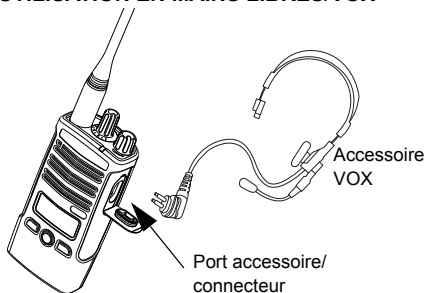
programmable qui doit correspondre à celui des autres radios pour assurer une qualité sonore optimale.

Pour obtenir de plus amples détails sur la façon de configurer des fréquences et des codes CTCSS/DPL sur les canaux, reportez-vous à la section «Mode de configuration avancée» à la page 38.

VOYANTS DEL DE LA RADIO

ÉTAT DE LA RADIO	Voyant DEL
Canal occupé	Allumé en orangé et en continu
Mode de clonage	Deux pulsations orange
Clonage en cours	Allumé en orangé et en continu
Erreur fatale à la mise sous tension	Un clignotement vert, un clignotement orange, un clignotement vert, puis répétition pendant 4 secondes
Batterie faible	Pulsation orange
Arrêt en raison d'une batterie faible	Pulsation orange rapide
Surveillance	Voyant Del éteint
Mise sous tension	Rouge, allumé en continu pendant 2 secondes
Mode de programmation « inactif »/Mode de canal	Pulsation verte
Mode Balayage	Rouge, pulsation rapide
Transmission (TX)/réception (RX)	Rouge, allumé en continu
Sélection de transmission sous alimentation faible	Allumé en orangé et en continu
Mode VOX/iVOX	Deux pulsations rouges

UTILISATION EN MAINS LIBRES/VOX



Les radios Motorola Solutions RDX Series™ peuvent fonctionner en mains libres (VOX) lorsqu'elles sont utilisées avec des accessoires VOX compatibles.

Avec accessoires VOX compatibles

Le paramètre par défaut pour le niveau de sensibilité VOX est désactivé (niveau « 0 »). Avant d'utiliser la fonction VOX, réglez le niveau VOX à un niveau autre que « 0 » depuis le logiciel de programmation client (CPS). Procédez ensuite aux étapes suivantes :

1. Éteignez la radio.
2. Ouvrez le couvercle de l'accessoire.

3. Insérez fermement la fiche de l'accessoire audio dans le port d'accessoire.
4. Allumez la radio. Le voyant DEL clignote deux fois en rouge.
5. Réduisez le volume de la radio AVANT de placer l'accessoire près de l'oreille.
6. Pour transmettre, parlez dans le microphone de l'accessoire et pour recevoir, arrêtez de parler.
7. La fonction VOX peut être temporairement désactivée en appuyant sur le bouton PTT ou en supprimant l'accessoire audio.

La fonction VOX peut également être activée à l'aide du bouton (MENU) sans utiliser le CPS.

Remarque : Pour commander des accessoires, reportez-vous au :

www.motorolasolutions.com/RDX,
appelez au **1 800 461-6686** ou
communiquez avec votre point de
vente Motorola Solutions.

Mains libres sans accessoire (iVOX)

- Appuyez sur le bouton PTT lorsque vous allumez la radio pour activer la fonction iVOX.

L'icône clignote.

- La fonction iVOX peut être temporairement désactivée en appuyant sur le bouton PTT.
- Appuyez brièvement sur le bouton PTT pour réactiver la fonction iVOX.

Remarque :

- Un bref délai s'écoule entre le moment où vous commencez à parler et le moment où la radio transmet.
- Pour obtenir de plus amples détails au sujet du réglage de la sensibilité VOX/iVOX, reportez-vous à la section «Réglage de la sensibilité VOX/iVOX» à la page 36.

ACTIVATION DU MESSAGE VOCAL EN MODE UTILISATEUR

Appuyez brièvement sur le bouton SB1 lorsque vous allumez la radio pour activer ou désactiver le message vocal en mode utilisateur.

(Le paramètre par défaut est réglé à ACTIVÉ.)

MODE DE TONALITÉ DE MISE SOUS TENSION

Pour activer ou désactiver le mode de tonalité de mise sous tension, appuyez simultanément sur les boutons SB1 et SB2 pendant deux ou trois secondes lorsque vous allumez la radio jusqu'à ce que vous entendiez la tonalité programmée. Trois différentes tonalités de mise sous tension sont disponibles :

- Tonalité de mise sous tension et annonce du numéro de canal.
- Annonces relatives au niveau de charge de la batterie et au numéro de canal.
- Silencieux (tonalités audibles désactivées).

RÉINITIALISATION DES PARAMÈTRES PAR DÉFAUT

La réinitialisation des paramètres par défaut rétablira toutes les fonctions de la radio aux réglages par défaut établis en usine. Pour ce faire, appuyez simultanément sur les boutons PTT, SB2 et SB1 lorsque vous allumez la radio jusqu'à ce que vous entendiez une tonalité aiguë.

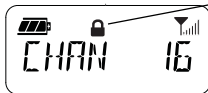
BIPS DU CLAVIER

Pour activer ou désactiver les bips du clavier, appuyez brièvement sur le bouton SB2 lorsque vous allumez la radio jusqu'à ce que vous entendiez la tonalité.

VERROUILLAGE ET DÉVERROUILLAGE DU CLAVIER

Vous pouvez verrouiller le clavier pour éviter de modifier accidentellement les paramètres de votre radio. Pour verrouiller le clavier de la radio, maintenez le bouton (MENU) enfoncé pendant quatre secondes.

Remarque : Le bouton PTT et le bouton programmable A (si la fonction de tonalité d'appel a été assignée) ne peuvent pas être verrouillés au moyen de cette fonction.



Icône de verrouillage du clavier

OPTIONS DE MENU

Pour accéder au MENU de la radio, appuyez brièvement sur le bouton (MENU). La radio affiche les options de fonction. Pour chaque option, utilisez les boutons et pour naviguer. Après avoir sélectionné les paramètres de l'option, vous pouvez :

- appuyer sur le bouton (MENU) pour les enregistrer et passer à l'option suivante ou

- appuyer longuement sur le bouton PTT pour les enregistrer et quitter le menu ou
- éteindre la radio pour quitter le menu sans enregistrer les modifications.

Le mode MENU arrive automatiquement au bout de son délai si aucune activité n'est détectée pendant plus de dix secondes.

RÉGLAGE DE LA SENSIBILITÉ VOX/iVOX

Vous pouvez ajuster les paramètres de sensibilité VOX/iVOX depuis le MENU ainsi qu'à partir du CPS. Pour effectuer des modifications depuis le menu, assurez-vous que la fonction VOX ou iVOX est activée. (Reportez-vous à la section « Utilisation en mains libres/VOX » à la page 33 ou « Mains libres sans accessoire (iVOX) » à la page 34 pour obtenir plus de détails). Une fois que la fonction VOX/iVOX est activée, appuyez brièvement sur le bouton (Menu).

Si la fonction iVOX est activée lorsque vous appuyez sur le bouton (Menu), la radio affiche les éléments suivants :



Si la fonction VOX est activée (avec accessoire relié à la radio) lorsque vous appuyez sur le bouton (MENU), la radio affiche ce qui suit :



Pour modifier le niveau de sensibilité, utilisez les boutons programmables A et B :

- 0 = désactivé (pour les accessoires VOX seulement)
- 1 = sensibilité faible
- 2 = sensibilité moyenne
- 3 = sensibilité élevée

Une fois que vous avez sélectionné le niveau de sensibilité souhaité, vous pouvez :

- appuyer sur le bouton (Menu) pour accéder à la prochaine étape ou
- éteindre la radio pour quitter le menu sans enregistrer les modifications.

Remarque : La sensibilité par défaut est réglée à « Moyenne » pour la fonction VOX et à « Élevée » pour la fonction iVOX.

GAIN DU MICROPHONE

La sensibilité du microphone peut être adaptée à différents utilisateurs ou environnements de fonctionnement.

Cette fonction peut être réglée uniquement à partir du CPS. Le réglage par défaut du microphone est réglé au niveau 2 (gain moyen).

FONCTIONS DE PROGRAMMATION

MODE DE CONFIGURATION AVANCÉE

La configuration avancée est un mode de configuration qui permet la personnalisation de fonctions supplémentaires à partir du panneau avant de la radio.

Accès au mode de configuration avancée

Pour entrer en mode de configuration avancée, maintenez simultanément enfoncés les boutons PTT et SB1 pendant trois à cinq secondes lorsque vous allumez la radio. Une tonalité unique retentit, indiquant que la radio est passée en mode de configuration avancée. Le voyant DEL clignote en pulsation verte.

Remarque :

- Le mode de configuration avancée est réglé par défaut au mode de programmation « inactif ».
- Le mode de programmation « inactif » est l'étape où la radio attend que l'utilisateur commence le cycle de programmation.

Lorsque la radio est réglée au mode de configuration avancée, l'icône « k » s'affiche et le nom d'alias du canal actuel clignote pour indiquer que vous pouvez tourner le sélecteur de canal pour sélectionner le canal que vous souhaitez programmer.



Mode de configuration avancée

En mode de configuration avancée, vous pouvez régler les valeurs de chaque canal en basculant entre les différents modes de programmation offerts :

- fréquences,
- codes CTCSS/DPL (code de réduction d'interférence),
- brouillage,
- nombre maximum de canaux
- tonalité d'appel,
- gain du microphone,
- balayage et
- canal météo.
- Pour parcourir les différents modes de sélection de programmation sans enregistrer

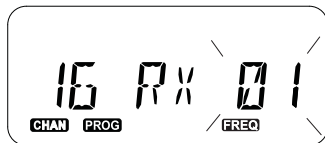
les modifications, appuyez brièvement sur le bouton PTT ou le bouton (MENU).

- Pour enregistrer les modifications, appuyez longuement sur le bouton PTT. La radio revient au mode de programmation « inactif ».
- Lorsque la radio est dans ce mode, appuyez longuement sur le bouton PTT pour sortir du mode de programmation.
- Chaque fois que la radio revient au début des options du mode de programmation, toutes les modifications sont automatiquement enregistrées, même si vous éteignez la radio.
- Vous pouvez quitter le mode de programmation sans enregistrer les modifications (tant que la radio n'est pas retournée au début des options) en éteignant la radio.

PROGRAMMATION DES FRÉQUENCES RX (RÉCEPTION)

Une fois que vous avez choisi le canal que vous souhaitez programmer, appuyez brièvement sur le bouton PTT ou le bouton (MENU) pour faire défiler les options jusqu'à ce que vous atteigniez le « Mode de programmation des fréquences ».

L'écran de la radio affiche le code de fréquence comme suit :



Pour programmer la fréquence désirée, utilisez les boutons programmables A et B pour naviguer jusqu'à la valeur du code de fréquence que vous voulez programmer. Appuyez longuement sur le bouton PTT pour quitter le menu et enregistrer la fréquence ou appuyez brièvement sur le bouton PTT pour passer à la prochaine fonction de programmation sans enregistrer.

PROGRAMMATION DES CODES RX (RÉCEPTION) (CTCSS/DPL)

Une fois que vous avez choisi le canal que vous souhaitez programmer, appuyez brièvement sur le bouton PTT ou le bouton (MENU) pour faire défiler les options jusqu'à ce que vous atteigniez le « Mode de programmation des codes ».

L'écran de la radio affiche le code CTCSS/DPL comme suit :



Pour programmer le code souhaité, utilisez les boutons et jusqu'à ce que vous atteigniez la valeur du code CTCSS/DPL que vous voulez programmer. Appuyez longuement sur le bouton PTT pour quitter le menu et enregistrer le code CTCSS/DPL ou appuyez brièvement sur le bouton PTT pour passer à la prochaine fonction de programmation sans enregistrer.

PROGRAMMATION DU BROUILLAGE

La fonction de brouillage permet de brouiller les transmissions afin que toute personne qui n'est pas définie sur ce code ne puisse pas écouter. Elle ne garantit pas la confidentialité, mais elle ajoute une couche supplémentaire de protection à vos conversations. Le réglage par défaut du mode de brouillage est « DÉSACTIVÉ ».

Une fois que vous avez accédé au mode de configuration avancée et avez sélectionné

le canal dans lequel vous voulez activer le brouillage, faites défiler vers le haut ou le bas les modes de programmation en appuyant brièvement sur le bouton PTT ou le bouton (MENU) jusqu'à ce que la radio atteigne le mode de programmation du brouillage.

L'écran de la radio affiche le code de brouillage comme suit :



La valeur de brouillage en cours clignote. Vous pouvez sélectionner la valeur de brouillage désirée (0, 1, 2 ou 3) en appuyant sur les boutons et. Appuyez longuement sur le bouton PTT pour quitter le menu et enregistrer la valeur de brouillage ou appuyez brièvement sur le bouton PTT pour passer à la prochaine fonction de programmation sans enregistrer.

Remarque : Les valeurs disponibles pour le brouillage dépendent de la valeur programmée à partir du CPS. Le brouillage est désactivé lorsque la valeur est réglée à « 0 ».

PROGRAMMATION D'UN NOMBRE MAXIMAL DE CANAUX

Vous pouvez configurer un nombre maximal de canaux pour la radio. Une fois que vous avez accédé au mode de configuration avancée, faites défiler vers le haut ou le bas les modes de programmation en appuyant brièvement sur le bouton PTT ou le bouton (MENU) jusqu'à ce que vous atteigniez le « Mode de programmation d'un nombre maximal de canaux ».

L'écran de la radio affiche le nombre maximal de canaux comme suit :



Le nombre maximal actuel de canaux programmés clignote à l'écran de la radio. Utilisez les boutons programmables A et B jusqu'à ce que vous atteigniez le nombre maximum de canaux désiré. Appuyez longuement sur le bouton PTT pour quitter le menu et enregistrer le nombre maximal de canaux ou appuyez brièvement sur le bouton PTT pour passer à la prochaine fonction de programmation sans enregistrer.

Les valeurs de configuration disponibles dépendent du nombre maximal de canaux que la radio prend en charge.

PROGRAMMATION DES TONALITÉS D'APPEL

Les tonalités d'appel vous permettent de transmettre une tonalité audible à d'autres radios sur le même canal pour les prévenir que vous êtes sur le point de parler ou pour les avertir sans parler.

Le mode de sélection de la tonalité d'appel vous permet de configurer le type de tonalité d'appel de la radio. Les paramètres disponibles dépendent du nombre maximal de tonalités d'appel que votre radio prend en charge.

Pour programmer des tonalités d'appel, accédez au mode de configuration avancée et faites défiler vers le haut ou le bas les modes de programmation en appuyant brièvement sur le bouton PTT ou le bouton (MENU) jusqu'à ce que vous atteigniez le mode de « Programmation des tonalités d'appel ».

L'écran de la radio affiche le mode de programmation des tonalités d'appel comme suit :



Le réglage actuel de la tonalité d'appel clignote à l'écran de la radio. Vous pouvez sélectionner la valeur de la tonalité d'appel désirée (0, 1, 2 ou 3) en appuyant sur les boutons programmables A et B. Chaque fois que vous sélectionnez une valeur différente, votre radio émet la tonalité d'appel sélectionnée (sauf pour la valeur « 0 »). Une fois que vous avez sélectionné la tonalité d'appel désirée, appuyez longuement sur le bouton PTT pour quitter le menu et enregistrer la tonalité d'appel ou appuyez brièvement sur le bouton PTT pour passer à la prochaine fonction de programmation sans enregistrer.

Remarque : Les valeurs disponibles pour les paramètres de tonalité d'appel dépendent des valeurs programmées à partir du CPS. La tonalité d'appel est

désactivée lorsque la valeur est réglée à « 0 ».

PROGRAMMATION DU NIVEAU DE GAIN DU MICROPHONE

Pour configurer le niveau de gain du microphone, accédez au mode de configuration avancée et faites défiler vers le haut ou le bas les modes de programmation en appuyant brièvement sur le bouton PTT ou le bouton (MENU) jusqu'à ce que vous atteigniez le « Mode de programmation du gain du microphone ».

L'écran de la radio affiche le niveau de gain du microphone comme suit :



Le réglage actuel du niveau de gain du microphone clignote à l'écran de la radio. Vous pouvez sélectionner le niveau de gain du microphone désiré (1 = gain faible, 2 = gain moyen ou 3 = gain élevé) en appuyant sur les boutons programmables A et B.

Une fois que vous avez sélectionné le niveau de gain du microphone désiré, appuyez longuement sur le bouton PTT pour quitter le menu et enregistrer le réglage ou appuyez brièvement sur le bouton PTT pour passer à la prochaine fonction de programmation sans enregistrer.

Remarque : Les valeurs disponibles pour les paramètres de niveau de gain du microphone dépendent du niveau maximal de gain de microphone que la radio prend en charge.

PROGRAMMATION DU NIVEAU DE GAIN DU MICROPHONE AUXILIAIRE

Pour configurer le niveau de gain du microphone auxiliaire, accédez au mode de configuration avancée et faites défiler vers le haut ou le bas les modes de programmation en appuyant brièvement sur le bouton PTT ou le bouton (MENU).

L'écran de la radio affiche le mode de programmation du gain du microphone auxiliaire comme suit :



Le réglage actuel du niveau de gain du microphone auxiliaire clignote à l'écran de la radio. Vous pouvez sélectionner le niveau de gain du microphone auxiliaire désiré (1 = gain faible, 2 = gain moyen ou 3 = gain élevé) en appuyant sur les boutons programmables A et B.

Une fois que vous avez sélectionné le niveau de gain du microphone auxiliaire désiré, appuyez longuement sur le bouton PTT pour quitter le menu et enregistrer le réglage ou appuyez brièvement sur le bouton PTT pour passer à la prochaine fonction de programmation sans enregistrer.

Remarque : Les valeurs disponibles pour les paramètres de niveau de gain du microphone auxiliaire dépendent du niveau maximal de gain de microphone auxiliaire que la radio prend en charge.

AUTRES FONCTIONS DE PROGRAMMATION

Balayage

Le balayage vous permet de surveiller d'autres canaux pour détecter des conversations. Lorsque la radio détecte une transmission, elle arrête le balayage et reste sur le canal actif. Ceci vous permet d'écouter et de parler à des personnes sur ce canal sans devoir le changer manuellement. S'il y a une conversation en cours sur le canal 2 pendant ce temps, la radio reste sur le canal 1 et vous n'entendez pas le canal 1. Lorsque la conversation est terminée sur le canal 1, la radio attend cinq secondes avant de reprendre le balayage.

- Pour commencer le balayage, appuyez sur le bouton SB1 ou SB2. Lorsque la radio détecte une activité sur un canal, elle s'arrête sur celui-ci jusqu'à ce que l'activité cesse. Vous pouvez parler à la personne qui émet sans changer de canal, en appuyant sur le bouton PTT.

Remarque : Le balayage doit être programmé sur le bouton SB1 ou SB2 à partir du CPS. Le paramètre par défaut du bouton SB2 est Balayage/Suppression d'un canal nuisible. Si le balayage automatique est activé pour un canal particulier,

n'appuyez pas sur le bouton SB1 ou SB2 (programmé pour le balayage) pour commencer le balayage puisque la radio le fait automatiquement.

- Pour arrêter le balayage, appuyez brièvement de nouveau sur le bouton SB1 ou SB2 (programmée pour le balayage).
- Si vous appuyez sur le bouton PTT pendant que la radio effectue le balayage, celle-ci transmettra sur le canal qui a été sélectionné avant l'activation du balayage. Si aucune transmission ne se produit dans les cinq secondes, le balayage reprend.
- Si vous voulez balayer un canal sans les codes de réduction d'interférence (CTCSS/DPL), réglez les paramètres du code pour les canaux à « 0 » dans le mode de sélection de programmation CTCSS/DPL.

Remarque : Chaque fois que la radio est réglée au mode de balayage, le voyant DEL clignote en pulsation rouge.

Programmation de la liste de balayage

Vous pouvez activer ou désactiver la fonction de balayage de canaux pour chaque canal de votre

radio. Pour ce faire, accédez au mode de configuration avancée et sélectionnez le canal que vous voulez programmer. Faites défiler les modes de programmation en appuyant brièvement sur le bouton PTT ou le bouton (MENU) jusqu'à ce que vous atteigniez le « Mode de programmation du balayage ».

L'écran de la radio affiche le mode de programmation de balayage comme suit :



Le numéro de canal et le paramètre de balayage en cours (OUI = Activé ou NON = Désactivé) clignotent à l'écran pour indiquer que vous pouvez sélectionner votre réglage. Pour régler le numéro de canal, tournez le bouton sélecteur de canal jusqu'au canal désiré.

Une fois que vous avez sélectionné le canal, procédez à l'activation (« OUI ») ou à la désactivation (« NON ») de la fonction de balayage en appuyant sur le bouton SB2 (*). Une fois que vous avez réglé les valeurs désirées, appuyez longuement sur le bouton PTT pour quitter le menu et enregistrer la valeur ou

appuyez brièvement sur le bouton PTT pour passer à la prochaine fonction de programmation sans enregistrer.

Remarque :

- (*) Cela suppose que le bouton SB2 n'est pas programmé pour un autre mode.
- Si le paramètre maximal de canaux de la radio est réglé à « 1 », l'option de programmation de balayage est désactivée et ne paraîtra pas à l'écran.

**Programmation du canal météo
(non autorisé sur le modèle RDX4163)**

Le mode de programmation du canal météo est le dernier mode de programmation disponible. Vous pouvez activer ou désactiver le canal météo.

Pour ce faire, accédez au mode de configuration avancée et sélectionnez le canal que vous voulez programmer. Faites défiler les modes de programmation en appuyant brièvement sur le bouton PTT ou le bouton (MENU) jusqu'à ce que vous atteigniez le « Mode de programmation du canal météo ».

Appuyez sur les boutons programmables A et B pour activer ou désactiver le mode. Reportez-

vous à la section « Tableau des fréquences de canal météo » à la page 51 pour consulter le tableau des fréquences.

Modification du nom de l'alias du canal

Pour modifier un nom d'alias du canal, allumez la radio et maintenez le bouton PTT et le bouton enfoncés pendant trois secondes.

La radio émet un bip spécial lorsqu'elle passe au « Mode d'alias de canal ».

Le nom d'alias et le numéro du canal en cours clignotent à l'écran de la radio comme suit :



Choisissez le numéro de canal que vous voulez modifier en tournant le bouton sélecteur de canal. Une fois que vous avez sélectionné le numéro de canal, appuyez brièvement sur le bouton PTT ou le bouton (MENU) pour commencer à modifier le nom d'alias du canal.

Le caractère à être modifié commence à clignoter. S'il s'agit d'un caractère blanc, un curseur commence à clignoter.

Pour changer de caractère, appuyez sur les boutons et jusqu'au caractère désiré. Pour passer au caractère suivant à la droite, appuyez sur le bouton (MENU). La séquence de caractères est [A-Z], « » (blanc), [0-9] et les caractères spéciaux. Aucun bas de casse n'est autorisé.

Appuyez longuement sur le bouton PTT pour enregistrer le nom et revenir au « Mode d'alias de canal » afin de sélectionner un autre canal pour y modifier le nom d'alias ou éteignez la radio pour quitter le menu sans enregistrer les modifications.

Remarque : Si le nom d'alias du canal est laissé en blanc, une pression prolongée sur le bouton PTT n'enregistre pas le nom d'alias.

Suppression des nuisances sur le canal

La suppression d'un canal nuisible vous permet de supprimer temporairement des canaux de la liste de balayage. Cette fonction est utile lorsque des conversations non pertinentes sur un canal « nuisible » bloquent la fonction de balayage de la radio.

Pour supprimer un canal de la liste de balayage :

- Démarrez le mode de balayage en appuyant brièvement sur le bouton SB2(*).
- Attendez que la radio s'arrête au canal que vous voulez supprimer. Appuyez longuement sur le bouton SB2 pour le supprimer. Le canal ne peut être supprimé lorsque le balayage est activé (canal d'accueil).
- Le canal ne sera supprimé que lorsque vous quitterez le mode de balayage en appuyant brièvement de nouveau sur le bouton SB2 ou en éteignant et en allumant la radio.

Remarque : (*) Cela suppose que le bouton SB2 n'est pas programmé pour un autre mode.

LOGICIEL DE PROGRAMMATION CLIENT (CPS)

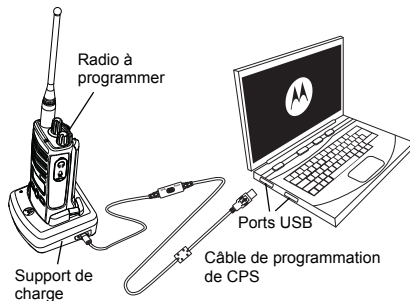


Figure 1: Configuration de la radio à partir du logiciel CPS

Le moyen le plus simple de programmer ou modifier les fonctions de votre radio est d'utiliser le logiciel de programmation client (CPS) et le câble de programmation CPS(*).

Le logiciel CPS peut être téléchargé en ligne gratuitement, à partir de :

www.motorolasolutions.com/RDX

Pour programmer la radio de série RM, branchez-la à l'aide du chargeur instantané et du câble de programmation du CPS, comme indiqué à la **Figure 1 à la page 47**. Faites basculer l'interrupteur du câble de programmation CPS au « **Mode CPS** ».

Le CPS vous permet de programmer des fréquences, des codes PL/DPL ainsi que d'autres fonctions telles que : la sélection de la bande passante, le temporisateur, la sélection de la puissance, la liste de balayage, les tonalités d'appel, le brouillage, la rafale en arrière, etc. Le CPS est un outil très utile, car il permet également de verrouiller le panneau avant de programmation de la radio ou de restreindre toute fonction spécifique à modifier (pour éviter l'effacement accidentel des valeurs programmées). Il fournit également une sécurité en offrant l'option de configurer un mot de passe pour la gestion du profil de la radio. Pour plus d'informations, reportez-vous à la section Tableau récapitulatif des fonctions à la fin du guide de l'utilisateur.

Remarque : (*) Le câble de programmation CPS : HKKN4027_ est un accessoire vendu séparément. Veuillez communiquer

avec votre point de vente Motorola Solutions pour en savoir plus.

Minuterie de délai d'attente

Ce temporisateur détermine le temps de transmission continue de la radio avant qu'elle cesse automatiquement. Le réglage par défaut est de 60 secondes et peut être modifié à partir du CPS.

Sélection de l'alimentation

La sélection de l'alimentation vous permet de choisir entre la haute et la basse puissance de transmission par fréquence pour chaque canal. La puissance élevée pour les radios de série RDX+ est de 5 W pour les fréquences VHF et de 4 W pour les fréquences UHF; la puissance faible pour les deux bandes est de 2 W.

Remarque : Certaines fréquences peuvent faire l'objet de restrictions de puissance de transmission de la FCC qui ne permettent pas de les régler à un niveau de puissance supérieur. Pour plus d'information, reportez-vous à « Graphiques des fréquences et des codes » à la page 68.

Tonalités d'appel

Consultez « Programmation des tonalités d'appel » à la page 41.

Brouillage

Voir « Programmation du brouillage » à la page 40.

Rafale en arrière

La rafale en arrière élimine les bruits indésirables (signal de silence résiduel) en cas de perte de détection de porteuse. Vous pouvez sélectionner des valeurs de 180 ou de 240 pour être compatible avec d'autres radios.

Remarque :

- Les fonctions décrites dans les pages précédentes ne sont que quelques-unes des fonctions qu'offre le CPS. Le CPS offre plus de possibilités. Pour obtenir de plus amples renseignements, consultez le fichier AIDE du CPS.
- Certaines des fonctions offertes avec le logiciel CPS peuvent varier selon le modèle de radio.

TEXTE-PAROLE (MODIFICATION DES ALIAS VOCAUX PRÉDÉFINIS)

Case à cocher Activation des messages vocaux prédéfinis par l'utilisateur

Cochez cette case pour activer la voix définie par l'utilisateur sur le canal sélectionné. L'utilisateur aura la possibilité soit d'utiliser le synthétiseur texte-parole afin de générer la voix automatisée, soit d'importer un fichier .wav contenant les données vocales.

Messages vocaux prédéfinis par l'utilisateur

Ce champ est utilisé par le synthétiseur texte-parole intégré au CPS pour générer des messages vocaux définis par l'utilisateur pour le canal sélectionné.

Remarque :

- La longueur de la chaîne ne peut pas dépasser 18 caractères.
- La chaîne ne peut contenir que des caractères ISO-8859-1.

Importer un fichier vocal

Ce champ permet à l'utilisateur de charger un fichier .wav préexistant à partir du disque dur local. Les huit

premiers caractères du fichier .wav sont utilisés pour remplir le champ Nom du canal.

Remarque :

- Le fichier .wav doit être échantillonné à 8 kHz.
- Le fichier .wav ne doit pas dépasser 65 000 Ko de longueur.

Écoute des messages vocaux définis par l'utilisateur

Ce champ permet à l'utilisateur d'écouter le signal vocal généré à partir du synthétiseur texte-parole.

FONCTION MÉTÉO (NON OFFERTE SUR LE MODÈLE RDU4163)

La radio RDX peut être programmée pour utiliser et recevoir les canaux de météo qui sont diffusés par la National Weather Radio (NWR – États-Unis). Le système de la National Weather Radio est un réseau national de stations de radio (plus de 1000 stations aux États-Unis) qui diffusent en continu des informations météo pour le public. La NWR diffuse tous les types d'avertissements, de veilles et de prévisions météorologiques, ainsi que d'autres informations sur les risques. La NWR peut également diffuser des alertes qui ne sont pas relatives à la météo, comme des alertes de sécurité nationale, de

catastrophes naturelles, environnementales et de sécurité publique, conjointement avec le système d'alerte d'urgence américain (EAS).

La fonction météo de la radio RDX peut détecter les avertissements et les alertes météo diffusés par la NWR. La radio RDX peut être programmée pour détecter la tonalité analogique ou le protocole numérique sur audio. La tonalité analogique est une tonalité de 1050 Hz (tonalité d'alarme d'avertissement) qui est diffusée pendant 10 secondes immédiatement avant le message d'avertissement par le transmetteur de la NWR. Lorsque la radio RDX détecte la tonalité d'alarme d'avertissement, l'audio est réactivé et permet à l'utilisateur d'entendre le message d'alerte météo. Comme pour le protocole numérique sur audio, il s'agit d'une technologie plus récente appelée « messages de secteur spécifique codé » (MSSC, en anglais Specific Area Message Encoding – SAME), qui permet aux stations de radio météorologiques de recevoir des flux de données numériques à propos du type de phénomène météorologique, du moment où il doit se produire, de sa durée et de la zone touchée. Lorsque la radio RDX détecte ces avertissements spéciaux, celle-ci peut être programmée pour générer automatiquement une tonalité forte, activer le voyant

DEL et afficher un état d'alerte à l'écran. Grâce à la technologie SAME, le mode météo de la radio RDX peut être programmé pour détecter le type d'avertissement ou de veille météo pour une ou plusieurs régions données.

Des informations supplémentaires relatives au système National Weather Radio, telles que des mises à jour du réseau, des cartes de couverture de l'émetteur et des codes d'événement SAME peuvent être trouvées sur Internet à l'adresse www.nws.noaa.gov/nwrr/.

Mode d'alerte météo

Sélectionnez le mode d'alerte dans lequel la radio répondra aux alertes envoyées par le National Weather Service, qui sont transmises avant la diffusion de tout message concernant un événement menaçant la vie ou propriété.

Les options disponibles sont :

- Désactivé (par défaut) : désactive la fonction d'alerte météo.
- Tonalité d'avertissement : détecte les tonalités d'alarme d'avertissement (WAT).
- Alerte SAME : détecte les messages de secteur spécifique codé (SAME).

Tableau des fréquences de canal météo

Numéro de fréquence	Valeur (MHz)
1	162,4000
2	162,4250
3	162,4500
4	162,4750
5	162,5000
6	162,5250
7	162,5500

IL EXISTE DEUX MODES D'OPÉRATION DES ALERTES MÉTÉO :

1. En mode Canal météo, la radio est en sourdine jusqu'à ce qu'elle détecte la tonalité d'alarme ou le signal SAME. À la réception d'une tonalité d'alarme, la radio désactive la sourdine et permet à l'utilisateur d'entendre le message d'alerte météo.
2. En mode bidirectionnel (sur canal à deux voies), la fonction d'alertes météo devient une fonction spéciale de balayage. La radio balaye les signaux entre le canal à deux voies actuellement sélectionné et le canal météo choisi. Lorsque la radio détecte une tonalité d'alerte ou un signal SAME sur le canal météo, elle désactive la sourdine pour permettre à l'utilisateur d'entendre le message d'alerte météo. Pour la tonalité d'alerte, la radio reste en mode de réception jusqu'à ce que le signal météo devienne faible ou que l'utilisateur appuie sur le bouton PTT ou change le canal à l'aide du bouton du sélecteur de canal. Pour l'alerte SAME, la radio reste en mode de réception ou revient en mode bidirectionnel en fonction de la position du EOM activé.

Avertissement : La radio RDX ne détecte pas d'alerte météo pendant qu'elle reçoit ou transmet sur un canal à deux voies.

EOM activé

Cette fonctionnalité est uniquement disponible pour le mode d'alerte SAME et n'est en vigueur que lorsque la radio fonctionne en mode bidirectionnel ou canal météo. Lorsque la fonction est activée et la radio en mode bidirectionnel, celle-ci revient au canal bidirectionnel et poursuit la détection des alertes météo après avoir reçu un signal de fin de message (EOM). Dans le cas du canal météo, la radio désactive le son et poursuit la détection de nouvelles alertes SAME après avoir reçu le signal EOM. Lorsque la fonction est désactivée, la radio reste en mode de réception jusqu'à ce que le signal météo devienne faible ou que l'utilisateur appuie sur le bouton PTT ou change le canal à l'aide du bouton du sélecteur de canal.

Minuterie de nouvelle tonalité d'alerte

Sélectionnez un moment prédéfini pour que la radio émette la nouvelle tonalité d'alerte. Lorsque la radio reçoit un nouveau message d'alerte SAME, l'écran à DEL s'allume et la radio commence à émettre la nouvelle tonalité d'alerte à la fin du

message. Les utilisateurs ont la possibilité de configurer la durée pendant laquelle la tonalité d'alerte est entendue.

Les options disponibles sont :

- 0 - Indéfiniment, jusqu'à ce que l'utilisateur appuie sur un bouton ou change de canal, ou que le nouveau message d'alerte arrive à expiration.
- 5 minutes.
- 10 minutes.
- 30 minutes.

Remarque : La durée du message d'alerte est incorporée dans le message SAME. La radio RDX continue à afficher l'alerte jusqu'à l'heure d'expiration.

FILTRE DE TYPE D'ÉVÉNEMENT

La radio RDX est une radio météo programmable qui permet aux utilisateurs de choisir le type d'avertissements et de veilles météorologiques qui déclencheront une alarme. La radio peut être programmée pour autoriser ou bloquer un événement en fonction de son type.

Tous les événements

Lorsque cette case est cochée, la radio permet de recevoir tous les événements SAME.

Événement de test d'alarme

Quand l'alerte SAME est activée, la radio répond à n'importe quel événement de test. Lorsque cette option est sélectionnée, la radio alerte de la même manière que dans le cas des autres messages d'alerte SAME. Lorsque cette option n'est pas cochée, la radio affiche uniquement le message et active le voyant DEL d'alerte sans désactiver la sourdine.

La radio ne doit pas faire entendre la nouvelle tonalité d'alerte à ce moment.

Remarque : Quelle que soit la manière dont l'utilisateur a programmé le filtre d'événements, certains événements critiques ne peuvent pas être bloqués. Le National Weather Service diffuse un test d'alerte chaque semaine, le mercredi entre 11 h et midi. Les utilisateurs doivent utiliser ce test d'alerte pour s'assurer que leur radio fonctionne correctement. Voir aussi : le tableau des événements critiques.

AVERTISSEMENT

Lorsque cette case est cochée, la radio autorise tous les événements d'avertissement. Les événements d'avertissement sont des événements qui en eux-mêmes représentent une menace significative à la sécurité publique ou à la propriété.

Remarque : Quelle que soit la manière dont l'utilisateur a programmé le filtre d'événements, certains événements critiques ne peuvent pas être bloqués. Voir aussi : le tableau des événements critiques.

VEILLE

Lorsque cette case est cochée, la radio autorise tous les événements de veille.

Les veilles sont des événements qui répondent à la classification d'un avertissement, mais dont l'heure prévue, la probabilité d'occurrence ou l'emplacement sont incertains.

Remarque : Quelle que soit la manière dont l'utilisateur a programmé le filtre d'événements, certains événements critiques ne peuvent pas être bloqués. Voir aussi : le tableau des événements critiques.

URGENCE

Lorsque cette case est cochée, la radio autorise tous les événements d'urgence.

Un événement d'urgence est un événement qui, par lui-même, ne risque pas de tuer ou de blesser, ni de causer des dommages matériels, mais qui peut indirectement être à l'origine d'autres événements susceptibles de provoquer une situation dangereuse.

Remarque : Quelle que soit la manière dont l'utilisateur a programmé le filtre d'événements, certains événements critiques ne peuvent pas être bloqués. Voir aussi : le tableau des événements critiques.

COMMUNIQUÉ

Lorsque cette case est cochée, la radio autorise tous les événements de communiqué. Un communiqué est un message contenant des informations de suivi pour un avertissement, une veille ou une urgence.

Remarque : Quelle que soit la manière dont l'utilisateur a programmé le filtre d'événements, certains événements critiques ne peuvent pas être bloqués. Voir aussi : le tableau des événements critiques.

FILTRE DE CODE D'ÉVÉNEMENT

Un événement SAME spécifique peut être autorisé ou bloqué. Un maximum de cinq codes d'événements peut être programmé.

BLOCAGE D'ÉVÉNEMENT

Lorsque cette option est cochée, les codes d'événements entrés ci-dessous sont bloqués.

Remarque : Quelle que soit la manière dont l'utilisateur a programmé le filtre d'événements, certains événements critiques ne peuvent pas être bloqués. Voir aussi : le tableau des événements critiques.

CODE D'ÉVÉNEMENT

Le champ Code d'événement accepte le caractère générique (*). Les exemples ci-dessous représentent des formats de codes d'événements valides.

- « *** » – tous les événements
- FL « * » – FLA ou FLW
- FLA

Le champ laissé vide signifie « non programmé » et la radio l'ignorera sans faire quoi que ce soit.

Remarque : Quelle que soit la manière dont l'utilisateur a programmé le filtre d'événements, certains événements critiques ne peuvent pas être bloqués. Voir aussi : le tableau des événements critiques.

TABLEAU DES ÉVÉNEMENTS CRITIQUES

Abréviation	Description
BHW	Avertissement de danger biologique
CDW	Avertissement de danger civil
CEM	Message d'urgence civile
CHW	Avertissement de danger chimique
CWW	Avertissement d'eau contaminée

Abréviation	Description
DBW	Avertissement de rupture de barrage
DEW	Avertissement de maladie infectieuse
EAN	Notification d'action d'urgence
EAT	Fin d'action d'urgence
EQW	Avertissement de tremblement de terre
EVI	Évacuation immédiate
FCW	Avertissement de contamination des aliments
HMW	Avertissement de matériaux dangereux
HUW	Avertissement d'ouragan

Abréviation	Description
IEW	Avertissement d'évacuation immédiate
IFW	Avertissement d'incendie industriel
LAE	Urgence de zone locale
LEW	Avertissement pour les autorités
LSW	Avertissement de glissement de terrain
NHW	Avertissement de danger national
NUW	Avertissement de centrale nucléaire
RHW	Avertissement de danger d'irradiation

Abréviation	Description
SPW	Avertissement de mise à l'abri sur place
TOR	Avertissement de tornade
TOW	Avertissement de tornade
TRW	Avertissement de tempête tropicale
TSA	Veille de tsunami
TSW	Avertissement de tsunami
VOW	Avertissement de volcan
WFW	Avertissement de feu incontrôlé

FILTRE GÉOGRAPHIQUE

Un maximum de 6 codes géographiques peut être programmé. Lorsque tous les champs sont désélectionnés, ou que l'un des codes géographiques est « TOUT » à la fois pour l'État et pour le comté (le code FIPS est « 000000 »), la radio ignore la vérification du filtre géographique.

Il existe deux méthodes pour entrer le code géographique :

- Sélection des codes de région et de comté
- Saisie du code FIPS directement (doit compter 6 chiffres)

ÉTAT

Sélectionnez l'État, le territoire ou le territoire outre-mer (zone marine) (SS) pour lequel la radio doit transmettre les alertes.

COMTÉ

Sélectionnez un comté, une province ou une région métropolitaine (CCC) pour lequel ou laquelle la radio doit transmettre les alertes.

FIPS

Le code FIPS (Federal Information Processing Standards) contient 6 chiffres qui représentent la valeur PSSCCC, où P est le code de région, SS est le code d'État et CCC est le code de comté.

Entrez ou modifiez un code FIPS spécifique lorsque nécessaire.

Vous trouverez plus d'information au sujet des FIPS à l'adresse www.nws.noaa.gov/nwr/indexnw.htm. Vous pouvez également appeler le numéro sans frais du National Weather Service - 1888-NWS-SAME (1-888-697-7263).

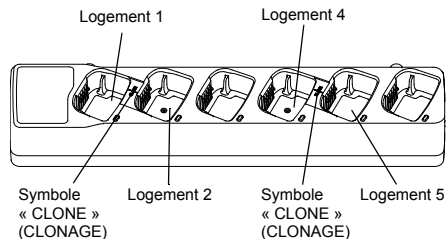
CLONAGE DE RADIOS

Vous pouvez cloner les profils de radio Série RDX d'une radio source vers une radio cible en utilisant l'une de ces trois méthodes :

- avec un chargeur multi-unités (MUC – accessoire en option),
- avec deux chargeurs à unité simple (SUC) et un câble de clonage de radio à radio (accessoire en option),
- à partir du CPS (logiciel à téléchargement gratuit)

Clonage avec un chargeur

multi-unités (MUC)



Pour cloner des radios en utilisant le MUC, vous devez disposer d'au moins deux radios :

- une radio source (radio dont les profils doivent être clonés ou copiés) et
- une radio cible (radio vers laquelle les profils de la radio source seront clonés)

La radio source doit être placée dans le logement 1, 3 ou 5 et la radio cible, dans le logement 2, 4 ou 6 en utilisant l'une des paires de logements du MUC ci-dessous :

- 1 et 2 ou
- 3 et 4 ou

- 5 et 6 (*).

Durant le clonage, il n'est pas nécessaire que le chargeur MUC soit relié à une source d'alimentation; toutefois, TOUTES les radios doivent contenir une batterie chargée.

1. Allumez la radio cible et placez-la dans l'un des logements cibles du MUC.
2. Allumez la radio source selon la séquence ci-dessous :
 - Appuyez longuement sur les boutons PTT et SB2 en même temps lorsque vous allumez la radio.
 - Tenez ces boutons enfoncés pendant trois secondes jusqu'à ce que vous entendiez la tonalité audible de « Clonage ».
3. Placez la radio source dans le logement source apparié au logement cible choisi à l'étape 1. Appuyez sur le bouton SB1, puis relâchez-le.
4. Une fois le clonage terminé, la radio source émet une tonalité pour indiquer que le clonage est une « réussite » ou un « échec ». La tonalité de

« réussite » ressemble à une tonalité qui paraît normale, tandis que le signal d'« échec » ressemble à un coup. Si la radio source est un modèle avec afficheur, l'écran affichera « Réussite » ou « Échec » (une tonalité sera entendue au bout de cinq secondes).

5. Lorsque vous avez terminé le processus de clonage, éteignez et rallumez les radios, ou encore, appuyez longuement sur le bouton PTT pour quitter le mode de clonage.

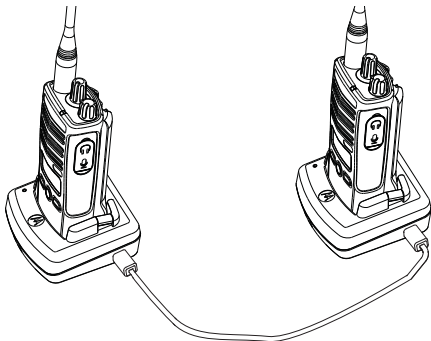
Pour obtenir de plus amples détails sur la façon de cloner des radios, consultez la feuille d'instructions fournie avec le MUC.

Lorsque vous commandez le MUC, reportez-vous au numéro de pièce RLN6309_.

- Si le clonage échoue, reportez-vous à « Que faire si le clonage échoue? » à la page 61.
- Les radios cibles et les radios sources appariées doivent utiliser la même bande de fréquence pour assurer la réussite du clonage.
- Les numéros des logements du MUC doivent être lus de la gauche vers la droite, le logo Motorola

Solutions étant tourné vers l'avant.

Clonage de la radio au moyen du câble de clonage de radio à radio (R2R) (accessoire en option)



Consignes d'utilisation

1. Avant de commencer le processus de clonage, assurez-vous d'avoir sous la main ce qui suit :
 - Une batterie entièrement chargée dans chaque radio.
 - Deux chargeurs pour appareil unique (SUC).

- Éteignez les radios et
 - Assurez-vous que les deux radios sont du même modèle.
2. Débranchez tous les câbles (câbles d'alimentation ou USB) des SUC.
 3. Branchez une extrémité du miniconnecteur USB du câble de clonage dans le premier SUC et l'autre extrémité, dans le second SUC.

Remarque : Pendant le processus de clonage, les SUC ne seront pas alimentés. Les batteries ne seront pas chargées. Seule la communication de données est établie entre les deux radios.

4. Allumez la radio cible et placez-la dans l'un des SUC.
5. Allumez la radio source selon la séquence ci-dessous :
 - Au moment de mettre la radio en marche, appuyez longuement sur les boutons PTT et SB2.
 - Attendez trois secondes avant de relâcher les boutons jusqu'à ce que vous entendiez une tonalité audible.

6. Placez la radio source dans son SUC, puis appuyez brièvement sur le bouton SB1.
 7. Une fois le clonage terminé, la radio source émet une tonalité pour indiquer que le clonage est une « réussite » ou un « échec ». La tonalité de « réussite » ressemble à une tonalité qui paraît normale, tandis que le signal d'« échec » ressemble à un coup. Si la radio source est un modèle avec afficheur, l'écran affichera « Réussite » ou « Échec » (une tonalité sera entendue au bout de cinq secondes).
 8. Lorsque vous avez terminé le processus de clonage, éteignez et rallumez les radios pour quitter le mode de clonage.
2. Vérifiez la connexion du câble de clonage des deux SUC.
 3. Assurez-vous que la batterie est bien insérée dans la radio.
 4. Assurez-vous qu'il n'y a pas de saleté dans le support de charge ou sur les bornes de la radio.
 5. Assurez-vous que la radio cible est bien allumée.
 6. Assurez-vous que la radio source est bien en mode de clonage.
 7. Assurez-vous que les deux radios ont la même bande de fréquence, qu'elles se trouvent dans la même région et qu'elles ont la même puissance de transmission.

Remarque : Ce câble de clonage est conçu pour fonctionner uniquement avec des SUC RLN6175_ et RLN6304_ Motorola Solutions compatibles.

Que faire si le clonage échoue?

La radio émet un signal d'échec audible pour indiquer que le clonage a échoué. En cas d'échec du clonage, suivez chacune des étapes ci-dessous avant de faire une nouvelle tentative de clonage.

1. Assurez-vous que les batteries des deux radios sont totalement chargées.

Lorsque vous commandez le câble de clonage en option, veuillez vous reporter au numéro de pièce RLN6303_. Pour plus d'informations sur les accessoires, reportez-vous à « Accessoires » à la page 80.

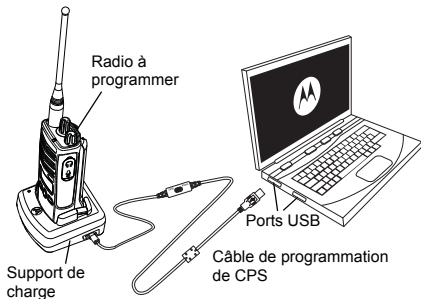
Clonage à partir du logiciel de programmation client (CPS)

Lorsque vous effectuez un clonage en utilisant cette méthode, vous avez besoin du logiciel CPS, d'un chargeur instantané et du câble de programmation CPS.

Pour commander le câble de programmation CPS, veuillez vous reporter au numéro de pièce RKN4155_.

Pour obtenir de plus amples renseignements au sujet du clonage à partir du CPS, veuillez consulter :

- le fichier d'aide CPS --> Contenu et index --> Clonage de radios ou
- le feuillet sur les accessoires pour le câble de programmation CPS.



DÉPANNAGE

<i>Symptôme</i>	<i>Essayez ceci...</i>
Absence d'alimentation	<p>Rechargez ou remplacez la batterie au lithium-ion.</p> <p>Des températures de fonctionnement extrêmes peuvent diminuer l'autonomie de la batterie.</p> <p>Consultez la section « À propos de la batterie lithium-ion » à la page 16.</p>
Entente d'autres bruits ou conversations sur un canal	<p>Confirmez que le code de réduction d'interférence est programmé.</p> <p>La fréquence ou le code de réduction d'interférence peut être utilisé.</p> <p>Modifier les paramètres : modifiez les fréquences ou les codes sur toutes les radios.</p> <p>Assurez-vous que la radio est à la fréquence et au code appropriés au moment de la transmission.</p> <p>Consultez la section « Conversation et contrôle » à la page 30.</p>
Message brouillé	<p>Le code de brouillage peut être activé ou le réglage ne correspond pas aux paramètres des autres radios.</p>
Qualité audio insuffisante	<p>Les paramètres des radios peuvent ne pas concorder. Revérifiez les fréquences, les codes et les bandes passantes afin d'assurer qu'ils sont les mêmes pour toutes les radios.</p>

Symptôme	Essayez ceci...
Portée de communication limitée	<p>La présence de structures en acier ou en béton, de feuillage dense, de bâtiments ou de véhicules peuvent diminuer la portée de communication. Les radios doivent être en ligne directe pour obtenir une bonne qualité de transmission.</p> <p>La portée de communication de la radio est diminuée si vous la portez près du corps, par exemple, dans votre poche ou à votre ceinture. Changez l'emplacement de la radio. Pour accroître la portée et la couverture, vous pouvez réduire les obstacles et augmenter la puissance. Les radios UHF ont une meilleure couverture dans les bâtiments industriels et commerciaux. Le fait d'augmenter la puissance fournit une meilleure portée du signal et une pénétration accrue à travers les obstacles. Consultez la section « Conversation et contrôle » à la page 30.</p>
Message non transmis ou reçu	<p>Assurez-vous de relâcher complètement le bouton PTT quand vous transmettez. Confirmez que les radios ont un canal, une fréquence, un code de réduction d'interférence et des paramètres de code de brouillage identiques. Reportez-vous à la section « Conversation et contrôle » à la page 30 pour obtenir plus d'information. Rechargez, remplacez ou réinstallez les batteries. Reportez-vous à la section « À propos de la batterie lithium-ion » à la page 16.</p> <p>La présence d'obstacles ou l'utilisation à l'intérieur d'un bâtiment ou d'un véhicule peuvent être associées à de l'interférence. Changez d'emplacement. Reportez-vous à la section « Conversation et contrôle » à la page 30.</p> <p>Vérifiez que la radio n'est pas en mode balayage. Reportez-vous à « Balayage » à la page 44 et à « Suppression des nuisances sur le canal » à la page 46.</p>

Symptôme	Essayez ceci...
Statique ou interférence excessive	Les radios sont trop proches; elles doivent être éloignées d'au moins 1,5 m (5 pi). Les radios sont trop éloignées ou des obstacles gênent la transmission. Reportez-vous à la section « Conversation et contrôle » à la page 30.
Batteries faibles	Rechargez ou remplacez la batterie au lithium-ion. Des températures de fonctionnement extrêmes peuvent diminuer l'autonomie de la batterie. Reportez-vous à la section « À propos de la batterie lithium-ion » à la page 16.
Le voyant à DEL du chargeur ne clignote pas	Vérifiez que la radio/batterie est correctement insérée dans le support de charge, que les bornes de la batterie et du chargeur sont propres et que la broche de charge est convenablement insérée. Reportez-vous à « Charge de la batterie » à la page 22 « Voyants DEL du chargeur instantané » à la page 24 et à « Installation de la batterie au lithium-ion (Li-Ion) » à la page 18.
L'indicateur de batterie faible clignote, même si les batteries sont neuves	Reportez-vous à « Installation de la batterie au lithium-ion (Li-Ion) » à la page 18 et à « À propos de la batterie lithium-ion » à la page 16.

Symptôme	Essayez ceci...
Impossible d'activer la fonction VOX	<p>La fonction VOX peut être réglée à DÉSACTIVÉE.</p> <p>Utilisez le CPS pour vous assurer que le niveau de sensibilité VOX n'est pas réglé à « 0 ».</p> <p>L'accessoire ne fonctionne pas ou n'est pas compatible.</p> <p>Reportez-vous à la section « Utilisation en mains libres/VOX » à la page 34.</p>
La batterie ne se charge pas, même si elle a été placée dans le support de charge pendant un long moment	<p>Vérifiez que le support de charge est bien branché et compatible avec la source d'alimentation utilisée.</p> <p>Reportez-vous à « Charge de la batterie avec le support de charge pour unité simple DLR (SUC) » à la page 22 et à « Charge d'une batterie autonome » à la page 23.</p> <p>Vérifiez si les voyants à DEL du chargeur indiquant la présence d'un problème.</p> <p>Reportez-vous à la section « Voyants DEL du chargeur instantané » à la page 24.</p>
Le clonage des messages vocaux définis par l'utilisateur ne fonctionne pas.	<p>Vérifiez la plaque signalétique avant de la radio. Les radios avec une police de couleur orange ne prennent pas en charge les messages vocaux définis par l'utilisateur.</p>

Remarque : Si une valeur utilisée pour une fonction de la radio semble ne pas correspondre à la valeur par défaut ou à la valeur préprogrammée, vérifiez si un profil personnalisé a été programmé dans la radio à partir du CPS.

UTILISATION ET ENTRETIEN



Utilisez un chiffon doux humide pour nettoyer l'extérieur



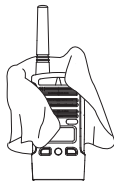
Ne plongez pas la radio dans l'eau



N'utilisez jamais d'alcool ni de détergents

Si la radio est immergée dans l'eau...

Éteignez la radio et retirez les batteries



Séchez avec un chiffon doux



N'utilisez pas la radio tant qu'elle n'est pas complètement séchée

GRAPHIQUES DES FRÉQUENCES ET DES CODES

codes. Ces tableaux sont utiles lorsque vous utilisez les radios bidirectionnelles Motorola Solutions de série RDX avec d'autres radios professionnelles.

RDX – TABLEAU DES FRÉQUENCES UHF

Les tableaux de cette section fournissent des renseignements relatifs aux fréquences et aux

RDU4163 – TABLEAU DES FRÉQUENCES UHF PAR DÉFAUT

Fréquences UHF par défaut des radios RDX à 16 canaux – RDU4163

Canal	N° de fréquence	Fréquence (MHz)	N° de code	Code	Bande passante
1	1	458,6625	1	67,0 Hz	12,5 kHz
2	2	469,2625	1	67,0 Hz	12,5 kHz
3	1	458,6625	2	71,9 Hz	12,5 kHz
4	2	469,2625	2	71,9 Hz	12,5 kHz
5	1	458,6625	3	74,4 Hz	12,5 kHz
6	2	469,2625	3	74,4 Hz	12,5 kHz
7	1	458,6625	4	77,0 Hz	12,5 kHz
8	2	469,2625	4	77,0 Hz	12,5 kHz

Fréquences UHF par défaut des radios RDX à 16 canaux – RDU4163

9	1	458,6625	5	79,7 Hz	12,5 kHz
10	2	469,2625	5	79,7 Hz	12,5 kHz
11	1	458,6625	6	82,5 Hz	12,5 kHz
12	2	469,2625	6	82,5 Hz	12,5 kHz
13	1	458,6625	7	85,4 Hz	12,5 kHz
14	2	469,2625	7	85,4 Hz	12,5 kHz
15	1	458,6625	8	88,5 Hz	12,5 kHz
16	2	469,2625	8	88,5 Hz	12,5 kHz

RDX – TABLEAU DES FRÉQUENCES UHF

RDX – fréquences UHF

N° de fréquence	Fréquence (MHz)	Bande passante
1	464,5000	12,5 kHz
2	464,5500	12,5 kHz
*3	467,7625	12,5 kHz
*4	467,8125	12,5 kHz
*5	467,8500	12,5 kHz
*6	467,8750	12,5 kHz
*7	467,9000	12,5 kHz
*8	467,9250	12,5 kHz
9	461,0375	12,5 kHz
10	461,0625	12,5 kHz
11	461,0875	12,5 kHz
12	461,1125	12,5 kHz
13	461,1375	12,5 kHz
14	461,1625	12,5 kHz

N° de fréquence	Fréquence (MHz)	Bande passante
15	461,1875	12,5 kHz
16	461,2125	12,5 kHz
17	461,2375	12,5 kHz
18	461,2625	12,5 kHz
19	461,2875	12,5 kHz
20	461,3125	12,5 kHz
21	461,3375	12,5 kHz
22	461,3625	12,5 kHz
*23	462,7625	12,5 kHz
*24	462,7875	12,5 kHz
*25	462,8125	12,5 kHz
*26	462,8375	12,5 kHz
*27	462,8625	12,5 kHz
*28	462,8875	12,5 kHz

RDX – fréquences UHF (suite)

N° de fréquence	Fréquence (MHz)	Bande passante
*29	462,9125	12,5 kHz
30	464,4875	12,5 kHz
31	464,5125	12,5 kHz
32	464,5375	12,5 kHz
33	464,5625	12,5 kHz
34	466,0375	12,5 kHz
35	466,0625	12,5 kHz
36	466,0875	12,5 kHz
37	466,1125	12,5 kHz
38	466,1375	12,5 kHz
39	466,1625	12,5 kHz
40	466,1875	12,5 kHz
41	466,2125	12,5 kHz
42	466,2375	12,5 kHz
43	466,2625	12,5 kHz
44	466,2875	12,5 kHz
45	466,3125	12,5 kHz
46	466,3375	12,5 kHz

N° de fréquence	Fréquence (MHz)	Bande passante
47	466,3625	12,5 kHz
*48	467,7875	12,5 kHz
*49	467,8375	12,5 kHz
*50	467,8625	12,5 kHz
*51	467,8875	12,5 kHz
*52	467,9125	12,5 kHz
53	469,4875	12,5 kHz
54	469,5125	12,5 kHz
55	469,5375	12,5 kHz
56	469,5625	12,5 kHz
57	462,1875	12,5 kHz
58	462,4625	12,5 kHz
59	462,4875	12,5 kHz
60	462,5125	12,5 kHz
61	467,1875	12,5 kHz
62	467,4625	12,5 kHz
63	467,4875	12,5 kHz
64	467,5125	12,5 kHz

RDX – fréquences UHF (suite)

N° de fréquence	Fréquence (MHz)	Bande passante
65	451,1875	12,5 kHz
66	451,2375	12,5 kHz
67	451,2875	12,5 kHz
68	451,3375	12,5 kHz
69	451,4375	12,5 kHz
70	451,5375	12,5 kHz
71	451,6375	12,5 kHz
72	452,3125	12,5 kHz
73	452,5375	12,5 kHz
74	452,4125	12,5 kHz
75	452,5125	12,5 kHz
76	452,7625	12,5 kHz
77	452,8625	12,5 kHz
78	456,1875	12,5 kHz
79	456,2375	12,5 kHz
80	456,2875	12,5 kHz
81	456,3375	12,5 kHz
82	456,4375	12,5 kHz

N° de fréquence	Fréquence (MHz)	Bande passante
82	456.4375	12.5 kHz
83	456.5375	12.5 kHz
84	456.6375	12.5 kHz
85	457.3125	12.5 kHz
86	457.4125	12.5 kHz
87	457.5125	12.5 kHz
88	457.7625	12.5 kHz
89	457.8625	12.5 kHz
90	468.2125	12.5 kHz
91	468.2625	12.5 kHz
92	468.3125	12.5 kHz
93	468.3625	12.5 kHz
94	468.4125	12.5 kHz
95	468.4625	12.5 kHz
96	468.5125	12.5 kHz
97	468.5625	12.5 kHz
98	468.6125	12.5 kHz
99	468.6625	12.5 kHz

Remarque : (*) Fréquence limitée à une puissance maximale de sortie de 2 W.

RDU4160 – TABLEAU DES FRÉQUENCES UHF PAR DÉFAUT

Fréquences UHF par défaut des radios RDX à 16 canaux - RDU4160

Canal	N° de fréquence	Fréquence (MHz)	Code n°	Code	Bande passante
1	1	464,5000	1	67,0 Hz	12,5 kHz
2	1	464,5000	4	77,0 Hz	12,5 kHz
3	1	464,5000	8	88,5 Hz	12,5 kHz
4	1	464,5000	29	179,9 Hz	12,5 kHz
5	1	464,5000	0	-	12,5 kHz
6	2	464,5500	1	67,0 Hz	12,5 kHz
7	2	464,5500	6	82,5 Hz	12,5 kHz
8	WC	162,4000	10	67,0 Hz	25,0 kHz
9	2	464,5500	29	179,9 Hz	12,5 kHz
10	2	464,5500	0	-	12,5 kHz
11	22	461,3625	3	74,4 Hz	12,5 kHz
12	30	462,4875	5	79,7 Hz	12,5 kHz
13	32	462,5375	7	85,4 Hz	12,5 kHz

Fréquences UHF par défaut des radios RDX à 16 canaux - RDU4160

14	34	462,0375	9	91,5 Hz	12,5 kHz
15	36	464,0875	11	97,4 Hz	12,5 kHz
16	38	464,1375	13	103,5 Hz	12,5 kHz

Remarque : WC = Fréquence de canal météo

**PROGRAMMATION DES
FRÉQUENCES PERSONNALISÉES
SUR LE MODÈLE EDR4160**

Les modèles de 4 W peuvent être programmés pour avoir des fréquences personnalisées (différentes de celles indiquées dans les tableaux UHF des pages précédentes).

La gamme de fréquences UHF est de 438 MHz à 470 MHz.

Les modèles 4 W peuvent également être programmés pour fonctionner avec des répéteurs. Veuillez communiquer avec votre point de vente Motorola Solutions pour obtenir de plus amples détails.

CODES CTCSS ET PL/DPL

Codes CTCSS

CTCSS	Hz
1	67,0
2	71,9
3	74,4
4	77,0
5	79,7
6	82,5
7	85,4
8	88,5
9	91,5
10	94,8
11	97,4
12	100,0
13	103,5

CTCSS	Hz
14	107,2
15	110,9
16	114,8
17	118,8
18	123
19	127,3
20	131,8
21	136,5
22	141,3
23	146,2
24	151,4
25	156,7
26	162,2

CTCSS	Hz
27	167,9
28	173,8
29	179,9
30	186,2
31	192,8
32	203,5
33	210,7
34	218,1
35	225,7
36	233,6
37	241,8
38	250,3
122 (*)	69,3

Remarque : (*) Nouveau code CTCSS.

Codes PL/DPL

DPL	Code
39	23
40	25
41	26
42	31
43	32
44	43
45	47
46	51
47	54
48	65
49	71
50	72
51	73
52	74
53	114
54	115

DPL	Code
55	116
56	125
57	131
58	132
59	134
60	143
61	152
62	155
63	156
64	162
65	165
66	172
67	174
68	205
69	223
70	226

DPL	Code
71	243
72	244
73	245
74	251
75	261
76	263
77	265
78	271
79	306
80	311
81	315
82	331
83	343
84	346
85	351
86	364

DPL	Code
87	365
88	371
89	411
90	412
91	413
92	423
93	431
94	432
95	445
96	464
97	465
98	466
99	503
100	506
101	516
102	532
103	546

Codes PL/DPL (suite)

DPL	Code
104	565
105	606
106	612
107	624
108	627
109	631
110	632
111	654
112	662
113	664
114	703
115	712
116	723
117	731
118	732
119	734
120	743

DPL	Code
121	754
123	645
124	PL personnalisé
125	PL personnalisé
126	PL personnalisé
127	PL personnalisé
128	PL personnalisé
129	PL personnalisé
130	DPL 39 inversé
131	DPL 40 inversé
132	DPL 41 inversé
133	DPL 42 inversé
134	DPL 43 inversé
135	DPL 44 inversé
136	DPL 45 inversé
137	DPL 46 inversé
138	DPL 47 inversé

Codes PL/DPL (suite)

DPL	Code
139	DPL 48 inversé
140	DPL 49 inversé
141	DPL 50 inversé
142	DPL 51 inversé
143	DPL 52 inversé
144	DPL 53 inversé
145	DPL 54 inversé
146	DPL 55 inversé
147	DPL 56 inversé
148	DPL 57 inversé
149	DPL 58 inversé
150	DPL 59 inversé
151	DPL 60 inversé
152	DPL 61 inversé
153	DPL 62 inversé
154	DPL 63 inversé
155	DPL 64 inversé

DPL	Code
156	DPL 65 inversé
157	DPL 66 inversé
158	DPL 67 inversé
159	DPL 68 inversé
160	DPL 69 inversé
161	DPL 70 inversé
162	DPL 71 inversé
163	DPL 72 inversé
164	DPL 73 inversé
165	DPL 74 inversé
166	DPL 75 inversé
167	DPL 76 inversé
168	DPL 77 inversé
169	DPL 78 inversé
170	DPL 79 inversé
171	DPL 80 inversé
172	DPL 81 inversé

DPL	Code
173	DPL 82 inversé
174	DPL 83 inversé
175	DPL 84 inversé
176	DPL 85 inversé
177	DPL 86 inversé
178	DPL 87 inversé
179	DPL 88 inversé
180	DPL 89 inversé
181	DPL 90 inversé
182	DPL 91 inversé
183	DPL 92 inversé
184	DPL 93 inversé
185	DPL 94 inversé
186	DPL 95 inversé
187	DPL 96 inversé
188	DPL 97 inversé
189	DPL 98 inversé

DPL	Code
190	DPL 99 inversé
191	DPL 100 inversé
192	DPL 101 inversé
193	DPL 102 inversé
194	DPL 103 inversé
195	DPL 104 inversé
196	DPL 105 inversé
197	DPL 106 inversé
198	DPL 107 inversé
199	DPL 108 inversé

Codes PL/DPL (suite)

DPL	Code
200	DPL 109 inversé
201	DPL 110 inversé
202	DPL 111 inversé
203	DPL 112 inversé
204	DPL 113 inversé
205	DPL 114 inversé
206	DPL 115 inversé
207	DPL 116 inversé
208	DPL 117 inversé
209	DPL 118 inversé

DPL	Code
210	DPL 119 inversé
211	DPL 120 inversé
212	DPL 121 inversé
213	DPL 123 inversé
214	DPL personnalisé
215	DPL personnalisé
216	DPL personnalisé
217	DPL personnalisé
218	DPL personnalisé
219	DPL personnalisé

ACCESSOIRES

ANTENNE

N° de pièce	Description
RAN4031	Antenne courte UHF 438 à 470 MHz
RAN4033	Antenne tronquée UHF 438 à 470 MHz

ACCESSOIRES AUDIO

N° de pièce	Description
HKLN4601	Oreillette de surveillance BR
53815	Écouteurs avec microphone monté sur tige BR
HMN4606	Microphone haut-parleur distant BR

N° de pièce

Description

53865	Écouteurs avec microphone monté sur tige pivotant
HKLN4599	Oreillette avec microphone en ligne pivotant
HKLN4604	Oreillette BR

BATTERIE

N° de pièce

Description

RLN6308	Batterie au lithium-ion haute capacité
RLN6351	Batterie standard au lithium-ion

CÂBLES

N° de pièce	Description
RLN6303	Câble de clonage radio à radio
RKN4155	Câble de programmation de CPS

CHARGEURS

N° de pièce	Description
RLN6304	Trousse de chargement rapide ACCY – Les Amériques (*)
RLN6309	Ensemble de chargeur multi-unités (MUC) – Amérique du Nord
RLN6175	Chargeur instantané standard

ACCESSOIRES DE TRANSPORT

N° de pièce	Description
RLN6302	Étui de transport en cuir
RLN6307	Pince de ceinture à ressort

APPLICATIONS LOGICIELLES

N° de pièce	Description
RVN5147	Logiciel CPS (programmation client)

ADAPTATEURS C.A. À BROCHES POUR BLOCS D'ALIMENTATION

N° de pièce	Description
RLN6349	Adaptateur c.a. à broches pour Amérique du Nord

BLOCS D'ALIMENTATION

N° de pièce	Description
RPN4054	Bloc d'alimentation standard fixe américain
RPN4058	Bloc d'alimentation c.a. à broches à échange standard
PMPN4005	Bloc d'alimentation c.a. à broches à échange rapide

GARANTIE LIMITÉE DE MOTOROLA SOLUTIONS POUR LES ÉTATS-UNIS ET LE CANADA

Ce que couvre la garantie

Sous réserve des exclusions définies ci-après, Motorola Solutions, Inc. garantit que ses téléphones, ses téléavertisseurs et ses radios bidirectionnelles pour usage grand public et professionnel (à l'exclusion des radios pour usage commercial, gouvernemental ou industriel) qui utilisent le service radio familial (FRS) ou le service radio mobile général, les accessoires de marque Motorola Solutions ou certifiés par Motorola Solutions qui sont vendus pour être utilisés avec ces produits (« Accessoires ») et les logiciels de Motorola Solutions contenus dans un cédérom ou un autre support tangible qui sont vendus pour être utilisés avec ces produits (« Logiciels ») sont exempts de défaut de matériau et de fabrication dans des conditions normales d'utilisation grand public pour la ou les périodes précisées ci-dessous.

Cette garantie limitée est une garantie exclusive au consommateur, et elle s'applique de la manière suivante aux nouveaux produits, accessoires et logiciels de Motorola Solutions achetés par des consommateurs aux États-Unis, qui sont accompagnés de la présente garantie écrite :

Produits et accessoires

Produits couverts par la garantie	Durée de la couverture
Produits et accessoires tels que définis ci-dessus, sous réserve d'autres dispositions dans la présente garantie.	Un (1) an à compter de la date d'achat par le premier utilisateur final du produit, sous réserve d'autres dispositions dans la présente garantie.
Accessoires et étuis décoratifs. Couvertures, cadrans, boîtiers PhoneWrap™ et étuis décoratifs.	Garantie limitée à vie pour la durée d'appartenance au premier acheteur du produit.

Produits couverts par la garantie	Durée de la couverture
Accessoires pour radios bidirectionnelles d'usage commercial.	Un (1) an à compter de la date d'achat par le premier utilisateur du produit.
Produits et accessoires réparés ou remplacés.	Durée restante de la garantie d'origine ou quatre-vingt-dix (90) jours à compter de la date du retour effectué par le client, selon la période la plus longue.

Exclusions

Usure normale. L'entretien périodique, les réparations et le remplacement de pièces rendus nécessaires par l'usure normale ne sont pas couverts par la garantie.

Batteries. La garantie limitée ne s'applique qu'aux batteries dont la capacité de charge complète tombe en dessous de 80 % de leur capacité nominale et aux batteries qui fuient.

Usage anormal et abusif. Les défauts et les dommages qui résultent : (a) de l'utilisation ou du rangement inapproprié, de l'usage anormal ou abusif, des accidents ou de la négligence comme les dommages physiques (fissures, égratignures, etc.) à la surface du Produit découlant d'une mauvaise utilisation; (b) du contact avec des liquides, l'eau, la pluie, l'humidité extrême ou une forte transpiration, le sable, la saleté ou toute chose semblable, la chaleur extrême ou la nourriture; (c) de l'utilisation de produits ou d'accessoires à des fins commerciales ou à toutes fins soumettant le produit ou l'accessoire à un usage ou des conditions hors du commun; et (d) de tout autre acte dont Motorola Solutions n'est pas responsable ne sont pas couverts par la garantie.

Utilisation de produits et accessoires non fabriqués par Motorola Solutions. Les défauts ou dommages résultant de l'utilisation de produits, d'accessoires, de logiciels ou de tout autre périphérique non certifié ou de marque autre que Motorola Solutions ne sont pas couverts par la garantie.

Réparations ou modifications non autorisées.

Les défauts ou dommages résultant de la réparation, de l'essai, de l'ajustement, de l'installation, de l'entretien, de l'altération ou de la modification, de quelque manière que ce soit, par toute entité autre que Motorola Solutions ou ses centres de service autorisés ne sont pas couverts par la garantie.

Produits altérés. Les Produits ou Accessoires dont : (a) le numéro de série ou l'étiquette de date a été enlevé, altéré ou oblitéré; (b) le sceau est brisé ou affiche des signes évidents de manipulation; (c) les numéros de série des cartes ne correspondent pas, et (d) les pièces ou le boîtier sont de marque autre ou non conformes à Motorola Solutions ne sont pas couverts par la garantie.

Services de communication. Les défauts, dommages ou défaillances du produit, de l'accessoire ou du logiciel causés par tout service de communication ou signal auquel vous êtes abonné ou que vous utilisez avec le produit, l'accessoire ou le logiciel, ne sont pas couverts par la garantie.

Logiciels

Produits couverts par la garantie	Durée de la couverture
<p>Logiciels. S'applique uniquement aux défauts matériels du support contenant la copie du logiciel (p. ex. CD-ROM ou disquette).</p>	<p>Quatre-vingt-dix (90) jours à compter de la date d'achat.</p>

Exclusions

Logiciel contenu sur un support matériel.

Motorola Solutions ne garantit pas que ce logiciel satisfera vos exigences ou qu'il fonctionnera en association avec des applications matérielles ou logicielles fournies par des tiers ni que le fonctionnement des produits logiciels se déroulera sans interruption et sans erreur ni que les anomalies présentes dans le logiciel seront corrigées.

Logiciel NON contenu sur un support matériel.

Tout logiciel non fourni sur support matériel (p. ex. les logiciels téléchargés à partir d'Internet) est offert « tel quel » et sans garantie.

QUI EST COUVERT?

Cette garantie s'applique uniquement au premier acheteur final et n'est pas transférable.

SERVICE DE GARANTIE OU AUTRES RENSEIGNEMENTS

Adressez-vous à votre point de vente Motorola Solutions.

AVIS DE DROITS D'AUTEUR DU LOGICIEL

Les produits Motorola Solutions décrits dans le présent manuel peuvent inclure un logiciel, sauvegardé dans la mémoire des semi-conducteurs ou ailleurs, et dont les droits d'auteur appartiennent à Motorola Solutions ou à un tiers. La législation américaine et d'autres pays protège certains droits exclusifs que possèdent Motorola Solutions et les fournisseurs tiers de logiciels sur des logiciels protégés par le droit d'auteur, tels que le droit exclusif de distribuer ou de reproduire le logiciel protégé par le droit d'auteur. Par conséquent, tout logiciel protégé par le droit d'auteur et qui est compris dans les produits Motorola Solutions ne peut être modifié, désassemblé, distribué ou reproduit de

quelque façon que ce soit dans la mesure prévue par la loi.

De plus, l'achat de produits Motorola Solutions ne signifie pas accorder, directement ou implicitement, par préclusion ou autre moyen, une quelconque licence en vertu des droits d'auteur, des brevets ou des applications brevetées de Motorola Solutions ou d'un fournisseur tiers de logiciels, sauf la licence d'utilisation normale, non exclusive, sans droit d'auteur et prévue par la loi lors de la vente d'un produit.

AVIS RELATIF AUX BREVETS

Ce produit est protégé par un ou plusieurs des brevets déposés aux États-Unis suivants :

5896277 5894292 5864752 5699006 5742484
D408396 D399821 D387758 D389158 5894592
5893027 5789098 5734975 5861850 D395882
D383745 D389827 D389139 5929825 5926514
5953640 6071640 D413022 D416252 D416893
D433001

ASSURANCES DÉCOULANT DES LOIS SUR L'EXPORTATION

Ce produit est régi par les règlements sur l'exportation des États-Unis d'Amérique. Les gouvernements des États-Unis d'Amérique peuvent restreindre l'exportation ou la réexportation de ce produit vers certaines destinations. Pour obtenir de plus amples renseignements, veuillez communiquer avec le département du Commerce des États-Unis.



MOTOROLA SOLUTIONS

Motorola Solutions, Inc.
1303 East Algonquin Rd.
Schaumburg, IL 60196 U.S.A.
<http://www.motorolasolutions.com>

MOTOROLA, MOTO, MOTOROLA SOLUTIONS and the Stylized M logo are trademarks or registered trademarks of Motorola Trademark Holdings, LLC and are used under license. All other trademarks are the property of their respective owners.

© 2016 Motorola Solutions, Inc.
All rights reserved.



MN002894A01-AC

