

RDX™ Series

Two-way Radios

User Guide



en-US fr-CA

RDU4100, RDU4103 & RDV5100 Non-Display Model

Open Source Software Legal Notices:

This Motorola Solutions product contains Open Source Software. For information regarding licenses, acknowledgements, required copyright notices and other usage terms, refer to the documentation for this Motorola Solutions product at:

<http://businessonline.motorolasolutions.com>

Go to: Resource Center > Product Information > Manual > Accessories.

Informations juridiques relatives aux logiciels libres :

Ce produit Motorola Solutions contient des logiciels libres. Pour obtenir des renseignements relatifs aux licences, aux attestations, aux avis de droits d'auteur requis et à d'autres conditions d'utilisation, reportez-vous à la documentation concernant ce produit Motorola Solutions à l'adresse suivante :

<http://businessonline.motorolasolutions.com>

Allez à l'adresse Resource Center > Product Information > Manual > Accessories.

CONTENTS

Contents	1
Product Safety	5
Introduction	7
Package Contents	7
FCC Licensing Information	8
Interference Information	8
Canada Licensing Information	10
General Information	10
The License Application	10
Batteries and Chargers Safety Information	11
Operational Safety Guidelines	12
Radio Overview	13
Parts Of The Radio	13
On/Off/Volume Knob	14
Channel Selector Knob	14
Accessory Connector	14
Model Label	14
Microphone	14
Antenna	14
LED Indicator	14

Side Buttons	14
The Lithium-Ion (Li-Ion) Battery	15
RDX Non Display Models	15
Battery Features	16
About the Li-Ion Battery	16
Battery Recycling and Disposal	17
Installing the Lithium-Ion (Li-Ion) Battery	18
Removing the Lithium-Ion (Li-Ion) Battery	18
Attaching the Antenna	19
Removing the Antenna	19
Installing Spring Action Belt clip	20
Power Supply, Adaptor and Drop-in Tray Charger	20
Battery Life Information	21
Charging the Battery	22
Drop-in Tray Charger LED Indicators	24
Estimated Charging Time	26
Multi-Unit Charger LED Indicators	28
Getting Started	29
Turning radio ON/OFF	29
Adjusting Volume	29
Selecting a Channel	29

Talking and Monitoring	29	Programming Values Examples	39
Receiving a Call	30	Example of Programming a Frequency	39
Talk Range	30	Example of Programming a Code	40
Radio LED Indicators	32	Example of Programming Auto-Scan	40
Hands-Free Use/VOX	33	Example of Programming Active Channels	41
With Compatible VOX Accessories	33	41	
Hands Free without Accessories (iVOX).	34	Example of Programming Weather Chan-	
Setting VOX/IVOX Sensitivity	34	nels (Not valid for RMU4103).	41
Toggle Voice Prompt in User Mode	34	Other Programming Features	42
Power Up - Tone Mode	34	Scan	42
Reset to Factory Defaults	34	Editing Scan List	42
Microphone Gain	34	Nuisance Channel Delete	42
Programming Features	36	Customer Programming Software (CPS)	43
Advanced Configuration Mode	36	Time-Out Timer	44
Entering Advanced Configuration Mode	36	Power Select	44
Entering Frequencies Values	37	Call Tones	44
Reading CTCSS/DPL Values	37	Scramble	44
Reading Auto-Scan Values	37	Reverse Burst	44
Active Channels	38	Text-to-Speech (Changing Pre-Defined Voice	
Weather Channel Programming (Not for		Aliases)	44
RDU4103).	38	Enable User Pre-Defined Voice Prompt	
Saving Settings	38	(VP) Checkbox	44
Programming Mode FAQ	38	User Pre-Defined Voice Prompt (VP) Text	

Import Voice File	45
Listen to User Customized Voice Prompt (VP) Text	45
Weather Feature (Not for RDU4103)	45
Weather Alert Mode	46
Weather Channel Frequencies Table	46
The Weather Alert has two modes of opera- tions:	47
EOM Enabled	47
New Alert Tone Timer	47
Event Type Filter	48
All Events	48
Alert Test Event	48
Warning	48
Watch	48
Emergency	49
Statement	49
Event Code Filter	49
Block Event	49
Event Code	49

The Critical Events Table	50
Geographic Filter	51
State	52
County	52
FIPS	52
Cloning Radios	52
Cloning with a Multi Unit Charger (MUC)	53
Cloning Radio using the Radio to Radio (R2R) Cloning Cable (Optional Accessory).	54
Cloning using the Customer Programming Software (CPS)	56
Troubleshooting	58
Use and Care	62
Frequency and Code Charts	64
RDX UHF Frequencies Chart	66
RDU4100 – UHF Default Frequencies Chart	69
RDU4103 – UHF Default Frequencies Chart	70
CTCSS and PL/DPL Codes	71
Motorola Solutions Limited Warranty for the United States and Canada	76

Accessories	79
Antenna	79
Audio Accessories	79
Battery	79
Cables	79
Chargers	80
Carry Accessories	80
Software Applications	80
Power supplies ac pin adapters	80
Power supplies	80

PRODUCT SAFETY

PRODUCT SAFETY AND RF EXPOSURE COMPLIANCE



Caution

Before using this product, read the operating instructions and RF energy awareness information contained in the Product Safety and RF Exposure booklet enclosed with your radio.

ATTENTION!

This radio is restricted to occupational use only to satisfy FCC RF energy exposure requirements.

For a list of Motorola Solutions-approved antennas, batteries and other accessories, visit the following website which lists approved accessories:

www.motorolasolutions.com/RDX

NOTES

INTRODUCTION

Thank you for purchasing the Motorola Solutions® RDX Series™ Radio. This radio is a product of Motorola Solutions' 80 plus years of experience as a world leader in the designing and manufacturing of communications equipment. The RDX Series radios provide cost-effective communications for businesses such as retail stores, restaurants, schools, construction sites, manufacturing, property and hotel management and more. Motorola Solutions professional two-way radios are the perfect communications solution for all of today's fast-paced industries.

Note: Read this user guide carefully to ensure you know how to properly operate the radio before use

PACKAGE CONTENTS

- Radio
- Belt Clip
- Lithium-Ion Battery
- Power Supply
- Quick Reference Guide

- Drop-in Tray Charger
- Product Safety & RF Exposure Booklet
- Antenna

For a copy of a large-print version of this user guide or for product-related questions, contact

1-800-448-6686 in the USA

1-800-461-4575 in Canada

1-888-390-6456 on TTY (Text Telephone)

For product related information, visit us at:

www.motorolasolutions.com/RDX

Or

Business Radios

RPSD 1C15, Motorola

8000 West Sunrise Boulevard

Plantation, Florida 3332

FCC LICENSING INFORMATION

INTERFERENCE INFORMATION

This device complies with Part 15 of the FCC Rules. Operation is subject to the condition that this device does not cause harmful interference.

RDX Series Business two-way radios operate on radio frequencies that are regulated by the Federal Communications Commission (FCC).

To transmit on these frequencies, you are required to have a license issued by the FCC. Application is made available on FCC Form 601 and Schedules D, H, and Remittance Form 159.

To obtain these FCC forms, request document 000601 which includes all forms and instructions. If you wish to have the document faxed, mailed or have questions, use the following contact information.

**Faxed contact the
Fax-On- Demand
system at:**

1-202-418-0177

Mailed call the FCC forms hotline at:

1-800-418-FORM
1-800-418-3676

**Questions regarding FCC
license contact the FCC at:**

1-888-CALL-FCC
1-888-225-5322
Or: <http://www.fcc.gov>

Before filling out your application, you must decide which frequency(ies) you can operate on. See “Frequencies and Code Charts”. For questions on determining the radio frequency, call Motorola Solutions Product Services at:

1-800-448-6686

Changes or modifications not expressly approved by Motorola Solutions may void the user’s authority granted by the FCC to operate this radio and should not be made. To comply with FCC requirements, transmitter adjustments should be made only by or under the supervision of a person certified as technically qualified to perform transmitter maintenance and repairs in the private land mobile and fixed services as certified by an organization representative of the user of those services.

Replacement of any transmitter component (crystal, semiconductor and more.) not authorized by the FCC equipment authorization for this radio could violate FCC rules.

Use of this radio outside the country where it was intended to be distributed is subject to government regulations and may be prohibited.

CANADA LICENSING INFORMATION

GENERAL INFORMATION

The operation of your Motorola Solutions radio is subject to the Radiocommunications Act and must comply with rules and regulations of the Federal Government's department of Industry Canada. Industry Canada requires that all operators using Private Land Mobile frequencies obtain a radio license before operating their equipment.

An application for your Industry Canada license is made on the form included with your radio. Additional forms and latest license application versions can be obtained from the nearest Industry Canada District office. A list of these offices is included for your information.

This device complies with Industry Canada's licence-exempt RSSs. Operation is subject to the following two conditions:

1. This device may not cause interference; and
2. This device must accept any interference, including interference that may cause undesired operation of the device.

THE LICENSE APPLICATION

General Instructions

1. Fill in the items as per the instructions. If you need additional space for any item use the reverse side of the application.
2. Be sure to use a typewriter or print legibly.
3. Make a copy for your files.
4. Prepare a cheque or money order made out to the "Receiver General for Canada", for an amount, which is on the following schedule, for each radio purchased. (License is valid until April 1st of each year, and the renewed.
5. Mail your completed application, along with your cheque or money order to the closest Industry Canada District office, according to the list on pages.

To obtain the latest Canadian License Application form, please go to:

www.ic.gc.ca

BATTERIES AND CHARGERS SAFETY INFORMATION

This document contains important safety and operating instructions. Read these instructions carefully and save them for future reference.

Before using the battery charger, read all the instructions and cautionary markings on

- the charger,
 - the battery, and
 - the radio using the battery
1. To reduce risk of injury, charge only the rechargeable Motorola Solutions-authorized batteries. Other batteries may explode, causing personal injury and damage.
 2. Use of accessories not recommended by Motorola Solutions may result in risk of fire, electric shock, or injury.

3. To reduce risk of damage to the electric plug and cord, pull by the plug rather than the cord when disconnecting the charger.
4. An extension cord should not be used unless absolutely necessary. Use of an improper extension cord could result in risk of fire and electric shock. If an extension cord must be used, make sure that the cord size is 18AWG for lengths up to 100 ft (30.48 m), and 16AWG for lengths up to 150 ft (45.72 m).
5. To reduce risk of fire, electric shock, or injury, do not operate the charger if it has been broken or damaged in any way. Take it to a qualified Motorola Solutions service representative.
6. Do not disassemble the charger; it is not repairable and replacement parts are not available. Disassembly of the charger may result in risk of electrical shock or fire.
7. To reduce risk of electric shock, unplug the charger from the AC outlet before attempting any maintenance or cleaning

OPERATIONAL SAFETY GUIDELINES

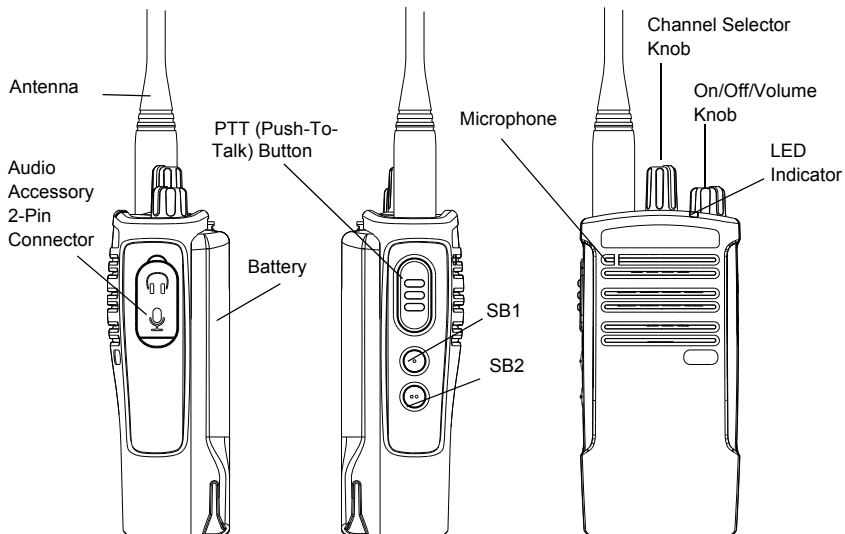
- Turn the radio OFF when charging battery.
- The charger is not suitable for outdoor use. Use only in dry locations/conditions.
- Connect charger only to an appropriately fused and wired supply of the correct voltage (as specified on the product).
- Disconnect charger from line voltage by removing main plug.
- The outlet to which this equipment is connected should be nearby and easily accessible.
- In equipment using fuses, replacements must comply with the type and rating specified in the equipment instructions.
- Maximum ambient temperature around the power supply equipment must not exceed 40 °C (104 °F).
- Power output from the power supply unit must not

exceed the ratings stated on the product label located at the bottom of the charger.

- Make sure that the cord is located where it will not be stepped on, tripped over, or subjected to water, damage, or stress.

RADIO OVERVIEW

PARTS OF THE RADIO



On/Off/Volume Knob

Used to turn the radio ON or OFF and to adjust the radio's volume.

Channel Selector Knob

Used to switch the radio to different channels.

Accessory Connector

Used to connect compatible audio accessories.

Model Label

Indicates the model of the radio.

Microphone

Speak clearly into the microphone when sending a message.

Antenna

For models **RDU4100** and **RDU4103** there are 2 removable antennas. For **RDV5100** there is one VHF removable antenna.

LED Indicator

Used to give battery status, power-up status, radio call information and scan status.

SIDE BUTTONS***Push-to-Talk (PTT) Button***

- Press and hold down this button to talk, release it to listen.

Side Button 1 (SB1)

- The Side Button 1 is a general button that can be configured by the Customer Programming Software - CPS. The default setting of SB1 is 'Monitor'.

Side Button 2 (SB2)

- The Side Button 2 is a general button that can be configured by the CPS. The SB2 default setting is 'Scan/Nuisance Channel Delete'.

The Lithium-Ion (Li-Ion) Battery

RDX Series comes with a Standard Capacity Li-Ion battery. Other batteries may be available. For more information, see “Battery Features” on page 16.

RDX NON DISPLAY MODELS

This User Guide covers multiple RDX Series models, and may detail some features your radio does not have. The radio’s model is shown on the bottom of the radio and provides the following information:

Table 1: RDX Series Radio Specifications

Model	Frequency Band	Transmit Power (W)	Number of Channels	Antenna
RDU4100	UHF	4	10	Removable
RDU4103	UHF	4	10	Removable
RDU5100	VHF	5	10	Removable

BATTERY FEATURES

RDX Series radios provide Lithium-Ion batteries that come in different capacities that defines the battery life.

About the Li-Ion Battery

The RDX Series radio comes equipped with a rechargeable Li-Ion battery. This battery should be fully charged before initial use to ensure optimum capacity and performance.

Battery life is determined by several factors. Among the more critical are the regular overcharge of batteries and the average depth of discharge with each cycle. Typically, the greater the overcharge and the deeper the average discharge, the fewer cycles a battery will last. For example, a battery which is overcharged and discharged 100% several times a day, lasts fewer cycles than a battery that receives less of an overcharge and is discharged to 50% per day. Further, a battery which receives minimal overcharging and

averages only 25% discharge, lasts even longer.

Motorola Solutions batteries are designed specifically to be used with a Motorola Solutions charger and vice versa. Charging in non-Motorola Solutions equipment may lead to battery damage and void the battery warranty. The battery should be at about 77 °F (25 °C) (room temperature), whenever possible. Charging a cold battery (below 50 °F [10 °C]) may result in leakage of electrolyte and ultimately in failure of the battery. Charging a hot battery (above 95 °F [35 °C]) results in reduced discharge capacity, affecting the performance of the radio. Motorola Solutions rapid-rate battery chargers contain a temperature-sensing circuit to ensure that batteries are charged within the temperature limits stated above.

Battery Recycling and Disposal

Li-Ion rechargeable batteries can be recycled. However, recycling facilities may not be available in all areas. Under various U.S. state laws and the laws of several other countries, batteries must be recycled and cannot be disposed of in landfills or incinerators. Contact your local waste management agency for specific requirements and information in your area. Motorola Solutions fully endorses and encourages the recycling of Li-Ion batteries. In the U.S. and Canada, Motorola Solutions participates in the nationwide Rechargeable Battery Recycling Corporation (RBRC) program for Li-Ion battery collection and recycling.

Many retailers and dealers participate in this program. For the location of the drop-off facility closest to you, access RBRC's Internet web site at:

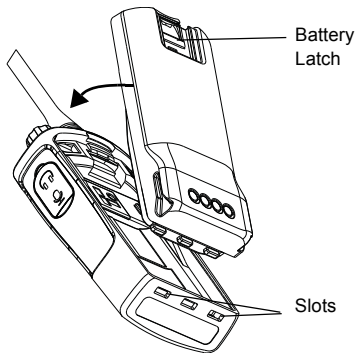
<http://www.call2recycle.org>

or call:

(877)723-1297

This internet site and telephone number also provides other useful information concerning recycling options for consumers, businesses, and governmental agencies.

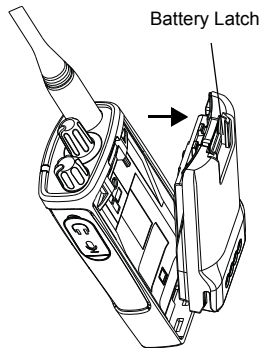
Installing the Lithium-Ion (Li-Ion) Battery



1. Turn OFF the radio.
2. With the Motorola Solutions logo side up on the battery pack, fit the tabs at the bottom of the battery into the slots at the bottom of the radio's body.
3. Press the top part of the battery towards the radio until a click is heard.

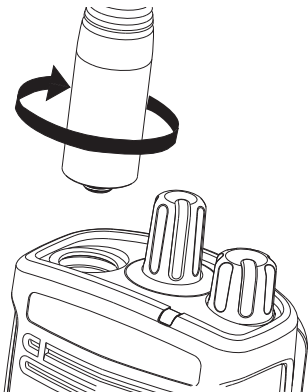
Note: To learn about the Li-Ion Battery Life features, refer to "About the Li-Ion Battery" on page 16

Removing the Lithium-Ion (Li-Ion) Battery



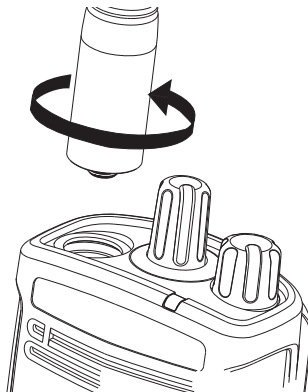
1. Turn OFF the radio.
2. Push down the battery latch and hold it while removing the battery.
3. Pull the battery away from the radio.

Attaching the Antenna



1. Align the threaded end of the antenna with the radio's antenna connector.
2. Turn the antenna clockwise to fasten it.

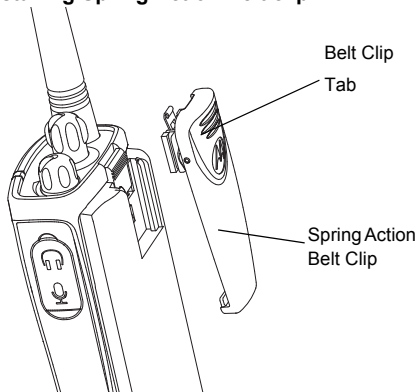
Removing the Antenna



1. Turn the antenna counter-clockwise until you can remove it.

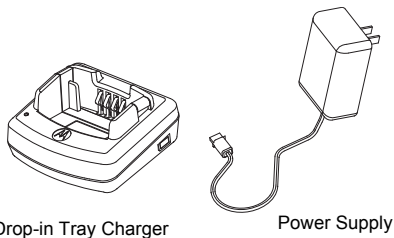
Note: These instructions apply **ONLY** to models RDU4100 and RDV5100. Do not attempt to remove the antenna if your radio is not one of these models.

Installing Spring Action Belt clip.



1. Slide the spring action belt clip rails into the belt clip grooves on the back of the battery pack and slide it down until the belt clip tab snaps into place.
2. To remove, pull back the metal release tab on the belt clip tab and push the spring action belt clip upward to remove.

Power Supply, Adaptor and Drop-in Tray Charger



The radio is equipped with one Drop-in Tray Charger and one Power Supply with Adaptor. For more information, refer to “Chargers” on page 80.

Battery Life Information

When the Battery Save feature is set to ON (enabled by default), the battery life lasts longer. The following table summarizes battery life estimations:

Table 2: Li-Ion Battery Life with Battery Save feature ON

Battery Type	5 W	4 W
High Capacity	15 hr	15 hr

Note: Battery life is estimated based on 5% transmit / 5% receive / 90% standby standard duty cycle.

Charging the Battery

The RDX Series radio offers two types of Chargers:

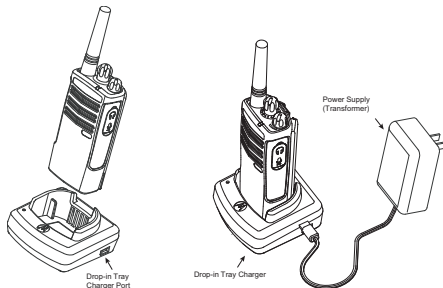
- Standard Charger and,
- Rapid Charger

Note: The radio comes with a Standard Power Supply.

To charge the battery (with the radio attached), place it in a Motorola Solutions-approved Drop-in Tray Single Unit Charger or Drop-in Tray Multi Unit Charger.

Note: When acquiring additional chargers or power supplies, make sure you have similar drop-in tray chargers and power supplies sets (all “rapid” or all “standard”). For part number details, refer to “Chargers” on page 80.

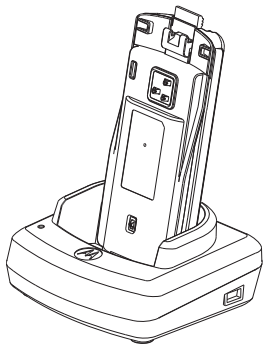
Charging with the Drop-in Tray Single Unit Charger (SUC)



1. Place the Drop-in Tray Charger on a flat surface.
2. Insert the connector of the Power Supply into the charger port on the back of the Drop-in Tray Charger.
3. Plug the AC Adaptor into a power outlet.
4. Insert the radio into the Drop-in Tray Single Unit Charger with the radio facing the front, as shown.

Note: When charging a battery attached to the radio, turn the radio OFF to ensure a full charge. See “Operational Safety Guidelines” on page 12 for more information.

Charging A Stand-Alone Battery



To charge only the battery - at step 4 on page 22, insert the battery into the tray, with the inside surface of the battery facing the front of the Drop-in Tray Single Unit Charger as shown above. Align the slots in

the battery with the alignment ribs in the Drop-in Tray Single Unit Charger.

Note: Ensure that the bracket in the charger is adjusted to the correct position for either Standard or High capacity battery. See “Charging a Standard Battery” on the right.

Drop-in Tray Charger LED Indicators

Table 3: Standard Charger LED Indicator

Status	LED Indicator	Comments
Power On	Steady red indication for 3 s	The charger has powered up
Charging	Blinking red (slow)	The charger is currently charging
Charging Complete	Steady red indication	Battery is fully charged
Battery Fault (*)	Blinking red (fast)	Battery had a fault when battery was inserted

(*) Normally, re-positioning the battery pack will correct this issue.

Table 4: Rapid Charger LED Indicator

Status	LED Indicator	Comments
Power On	Steady green indication for 3 s	The charger has powered up
Charging	Blinking green	The charger is currently charging
Top-off Charging	Blinking green (slow)	Battery is near fully charged
Charging Complete	Steady green indication	Battery is fully charged
Battery Fault (*)	Blinking red (fast)	Battery had a fault when battery was inserted
Waiting to Charge (**)	Double-blink yellow indications	Battery charging conditions not suitable

(*) Normally, re-positioning the battery pack will correct this issue.

(**) Battery temperature is too warm or too cold or wrong power voltage is being used.

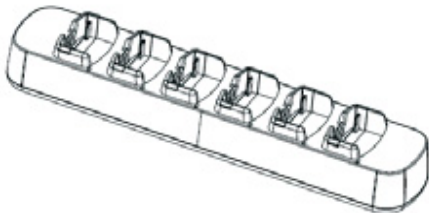
Estimated Charging Time

The following table provides the estimated charging time of the battery. For more information, see “Audio Accessories” on page 79.

Table 5: Battery Estimated Charging Time

Charging Solutions	Estimated Charging Time
	High Capacity Battery
Standard Charging Solutions	12 hr
Rapid Charging Solutions	3 hr

Charging a Radio and Battery using a Multi Unit-Charger - MUC (Optional Accessory)



The Multi-Unit Charger (MUC) allows drop-in charging of up to 6 radios or batteries. Batteries can be charged with the radios or removed and placed in the MUC separately. Each of the 6 charging pockets can hold a radio (with or without the Holster) or battery, but not both.

1. Place the Multi-Unit Charger on a flat surface.
2. Insert the power cord plug into the MUC's dual pin connector .
3. Plug the power cord into an AC outlet.
4. Turn the radio OFF.
5. Set removable bracket for battery type
6. Insert the radio or battery into the charging pocket with the radio.

Note:

- This Multi-Unit Charger clones up to 3 radios (3 Source radios and 3 Target radios). Refer to "Cloning with a Multi Unit Charger (MUC)" on page 53 for more information.
- More information on the Multi-Unit Charger's operation is available in the Instruction Sheets provided with the MUC. For more information on the parts and their part numbers, refer to Chapter "Accessories" on page 79.

Multi-Unit Charger LED Indicators**Table 6: MUC Charger LED Indicator**

Status	LED Indicator	Comments
Charging	Steady Red Indication	The charger is currently charging
Charging Complete	Steady Green Indication	Battery is fully charged
Battery Fault (*)	Blinking red (fast)	Battery was faulty when inserted

(*) Normally, re-positioning the battery pack will correct this issue.

GETTING STARTED

For the following explanations, refer to “Parts Of The Radio” on page 13.

TURNING RADIO ON/OFF

To turn ON the radio, rotate the On/Off/Volume Knob clockwise. The radio plays one of the following:

- Power up tone and channel number announcement, or
- Battery level and channel number announcements, or
- Silent (Audible tones disabled)

The LED blinks red briefly.

To turn the radio OFF, rotate the On/Off/Volume Knob counterclockwise until you hear a ‘click’ and the radio LED Indicator turns OFF.

ADJUSTING VOLUME

Turn the On/Off/Volume Knob clockwise to increase the volume, or counterclockwise to decrease the volume.

Note: Do not hold the radio too close to the ear when the volume is high or when adjusting the volume

SELECTING A CHANNEL

To select a channel, turn the Channel Selector Knob until you reach the desired channel. An audible voice indicates the selected channel.

Each channel has its own Frequency, Interference Eliminator Code and Scan Settings.

TALKING AND MONITORING

It is important to monitor for traffic before transmitting to avoid ‘talking over’ someone who is already transmitting

To monitor, long press and hold the SB1(*) button to access channel traffic. If no activity is present, you will hear ‘static’. To release, press SB1 again. Once channel traffic has cleared, proceed with your call by pressing the PTT button. When transmitting, the LED Indicator stays solid red.

Note:

- To listen to all activity on a current channel, short press the SB1 to set the CTCSS/DPL code to 0. This feature is called ‘CTCSS/DPL Defeat (Squelch set to SILENT)’.
- (*) This assumes SB1 is not being programmed for a different mode.

RECEIVING A CALL

1. Select a channel by rotating the Channel Selector Knob until you reach the desired channel. An audible voice indicates the selected channel.
2. Make sure the PTT button is released and listen for voice activity.
3. The LED Indicator stays solid red when the radio is receiving a call.
4. To respond, hold the radio vertically 1 to 2 inches (2.5 to 5 cm) from mouth. Press the PTT button to talk; release it to listen.

TALK RANGE

TALK RANGE		
Model	Industrial	Multi-Level
	Inside steel/ concrete Industrial buildings	Inside multi- level buildings
UHF 4W	Up to 350,000 ft2	Up to 30 Floors
VHF 5W	Up to 300,000 ft2	Up to 18 Floors

To establish a proper two-way communication, the channel, frequency, and interference eliminator codes must be the same on both radios. This depends on the stored profile that has been preprogrammed on the radio:

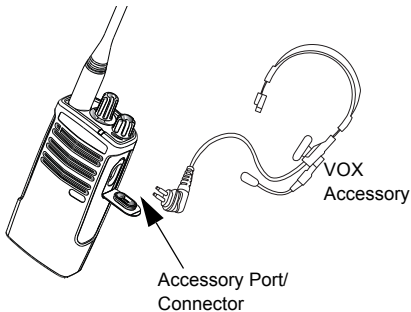
1. **Channel:** Current channel that the radio is using, depending on radio model.
2. **Frequency:** The frequency the radio uses to transmit/receive.
3. **Interference Eliminator Code:** These codes help minimize interference by providing a choice of code combinations.
4. **Scramble Code:** Codes that make the transmissions sound garbled to anyone listening who is not set to that specific code.
5. **Bandwidth:** Some frequencies have selectable channel spacing, which must match other radios for optimum audio quality (Only applicable to RDU4103).

For details on how to set up frequencies and CTCSS/DPL codes in the channels, refer to “Advanced Configuration Mode” on page 36.

RADIO LED INDICATORS

RADIO STATUS	LED INDICATION
Channel Busy	Solid Orange
Cloning Mode	Double Orange Heartbeats
Cloning In Progress	Solid Orange
Fatal Error at Power up	One Green Blink, One Orange Blink, One Green Blink, then repeat for 4 seconds
Low Battery	Orange Heartbeat
Low Battery Shutdown	Fast Orange Heartbeat
Monitor	LED is OFF
Power-Up	Solid Red for 2 s
'Idle' Programming Mode / Channel Mode	Green Heartbeat
Scan Mode	Fast Red Heartbeat
Transmit (TX)/Receive (RX)	Solid Red
Transmit in Low Power Select	Solid Orange
VOX/iVOX Mode	Double Red Heartbeats

HANDS-FREE USE/VOX



Motorola Solutions RDX Series radios can operate hands-free (VOX) when used with compatible VOX accessories.

With Compatible VOX Accessories

The default factory setting for VOX sensitivity level is OFF (level '0'). Before using VOX, set VOX level to a level different from '0' via the Customer Programming Software (CPS). Then, perform the following steps:

1. Turn the radio OFF.
2. Open accessory cover.

3. Insert the audio accessory's plug firmly into accessory port.
4. Turn radio ON. The LED Indicator will blink double red
5. Lower radio volume BEFORE placing accessory near ear.
6. To transmit, speak into accessory microphone and to receive, stop talking.
7. VOX can be temporarily disabled by pressing the PTT button or by removing the audio accessory.

VOX can also be activated using the (Menu) button without using the CPS.

Note: To order accessories, refer to: www.motorolasolutions.com/RDX, call **1 (800) 448-6686**, or contact your Motorola Solutions point of purchase.

Hands Free without Accessories (iVOX)

- Enable iVOX by pressing the PTT Button while turning ON the radio.
- A short press of the PTT Button re-enables iVOX.
- There is a short delay between the time when you start talking and when the radio transmits.

SETTING VOX/iVOX SENSITIVITY

The sensitivity of the radio's accessory or microphone can be adjusted to suit different operating environments. VOX sensitivity can be programmed via the CPS.

Default value is OFF. If you want to use the VOX feature, VOX level should be set at a different level.

- 1 = High audio input level will trigger the Tx
- 2 = Medium sensitivity
- 3 = Low audio input level will trigger the Tx

TOGGLE VOICE PROMPT IN USER MODE

Short press the SB1 Button while turning ON the radio to enable/disable the Voice Prompt in User Mode. (Default is set to ON).

POWER UP - TONE MODE

To enable/disable power up tone mode, press SB1 and SB2 buttons simultaneously for 2-3 seconds while powering up the radio until you hear the pre-programmed power up tone. Three different power-up tones are available.

RESET TO FACTORY DEFAULTS

Reset to Factory Defaults will set back all radio features to the original factory default settings. To do so, press PTT, SB2 and SB1 simultaneously while turning ON the radio until you hear a high tone chirp.

MICROPHONE GAIN

The sensitivity of the microphone can be adjusted to fit different users or operating environments.

This feature can be adjusted only through the CPS. Microphone default setting is set to level 2 (medium gain).

NOTES

PROGRAMMING FEATURES

To easily program all the features in your radio, it is recommended to use the Customer Programming Software (CPS) and the programming cable.

CPS software download is available for free at www.motorolasolutions.com/RDX.

ADVANCED CONFIGURATION MODE

Advanced Configuration is a configuration mode that allows the customization of additional features via the radio's front panel.

For non-display model radios, the navigation is guided by an audible voice prompt.

When the radio is set to Advanced Configuration, you are able to read and modify four features:

- Frequency Selection,
- Codes (CTCSS/DPL),
- Auto-Scan,
- Active Channels, and
- Enable/Disable/Program the Weather Channel

The **Frequencies Select** feature allows you to choose frequencies from a pre-defined list.

The **Interference Eliminator Code** (CTCSS/ DPL) helps minimize interference by providing you with a choice of code combinations that filter out static, noise, and unwanted messages.

The **Auto-Scan** feature allows you to set a particular channel to automatically enable Scan each time you switch to that channel.

The **Active Channels** feature allows you to increase or decrease the amount of active channels (In the range of maximum channels allowed).

The **Weather Programming** feature allows you to alternate the channel function between 2 way radio channel and weather channel. There are seven received frequencies available for this feature.

Entering Advanced Configuration Mode

Note: Before configuring the features, make sure your radio is set to the channel you wish to program. You can do so before entering Advanced Configuration Mode or at any time during the Advanced Configuration Mode by rotating the Channel Selector Knob until you reach the desired channel.

To read or modify Frequencies, Codes, Auto- Scan, Active Channels and Weather Channel set the radio to 'Advanced Configuration Mode' by long pressing

both the PTT and the SB1 button simultaneously for 3 to 5 seconds while turning ON the radio until you hear an audible voice saying “Programming Mode” and “Channel Number”. The LED Indicator starts blinking a green heartbeat.

Note: ‘Idle’ Programming Mode is the stage in the Programming Mode where the radio waits for the user to start the radio programming cycle.

Once you are in the ‘Idle’ Programming Mode, you will be able to hear the Frequencies, Codes, Auto-Scan, Active Channels and Weather Channel settings by short pressing the PTT button to navigate along the different programmable features.

ENTERING FREQUENCIES VALUES

RDU4100 has 89 frequencies, 27 frequencies for RDV5100 and 2 for RDU4103.

- In ‘Idle’ Programming mode, the Channel number becomes the first changeable value. Select the desired channel by turning the Channel Selector Knob. An audible voice indicated the selected channel to configure. Short pressing the PTT button allows you to cycle through the other features available for configuration. Use the SB1

and SB2 button to change the values. An audible voice indicates the value selected.

READING CTCSS/DPL VALUES

Cycle through the features available for configuration by short pressing the PTT button until you hear the current code. The radio moves to the programming CTCSS/PL codes mode.

Enter a new code value using the SB1 and SB2 buttons.

The RDX Series radios have up to 219 codes available. For more information, refer to “Frequency and Code Charts” on page 64.

READING AUTO-SCAN VALUES

After hearing the CTCSS/DPL codes, short pressing the PTT button moves you to Auto- Scan mode.

Auto-Scan has only two values:

- Enabled
- Disabled

ACTIVE CHANNELS

While in Auto-Scan mode, short pressing the PTT button shifts the radio to 'Active Channels' feature.

Modify the amount of channels available using the SB1 and SB2 buttons.

WEATHER CHANNEL PROGRAMMING (NOT FOR RDU4103)

After setting the amount of Active Channels, short pressing the PTT button moves you to Weather Channel feature.

Use the SB1 and SB2 buttons to Enable/ Disable the feature.

SAVING SETTINGS

Once you are satisfied with the settings, you can either:

- short press the PTT button to continue programming,
- long press the PTT button to save and return to 'Idle' Programming Mode, or
- long press the PTT button twice to exit 'Idle'.

PROGRAMMING MODE FAQ

I got distracted while programming and forgot which feature I was programming. What should I do?

- Return to 'Idle' Programming Mode and start over. You will not be able to return to Programming Mode (the radio does not provide further way to let you know the specific stage you are at in the Programming Mode).
- Therefore you can:
 - Long press the PTT button. The radio will return to 'Idle' Programming Mode or,
 - Turn OFF the radio and enter Programming Mode again. (Refer to "Entering Advanced Configuration Mode" on page 36 for more information)

I am trying to program a frequency (or a code) value but the radio would not do it. It rolled over and took me back to value '0'.

- The radio disallows you to program any value that is not available in the frequencies and codes pool. For example, if you try to program code 220, the radio would not accept it as the maximum value allowed is 219. Same goes for the frequencies. Refer to the "Frequency and

Code Charts” on page 64 to make sure you are programming a valid value.

I am trying to enter the Programming Mode but the radio would not do it.

- The radio may be locked using the CPS to disallow Front Panel Programming. To re- enable, use the CPS.

I programmed the wrong value when I was programming. How can I erase or re-program the value?

If you programmed the wrong value, you can either:

- ‘Roll-over’ the radio. The radio ‘roll-over’ each time it reaches the maximum value allowed. Keep increasing (short press the SB1 button) or decreasing (short press the SB2 button) until you get the desired value or,
- Turn OFF the radio and start over.

I just programmed the value I wanted. How do I exit the Programming Mode?

You can either:

- Long press the PTT button twice to exit if you’re in the Programming Mode or,

- Long press the PTT button once if you are already in the ‘Idle’ Programming mode.

I am done programming the features in this channel. How do I program another channel?

- Short press the PTT button several times until you hear “Channel Number”. Switch channel by rotating the Channel Selector Knob. If you wish to save the changes, make sure you are in the ‘Idle’ Programming Mode before switching the channel, otherwise you will lose the changes made.

PROGRAMMING VALUES EXAMPLES

Example of Programming a Frequency

Assuming current frequency value is set to Channel 1, with the UHF default frequency set to ‘02’ (equivalent to 464.5500 MHz), and you want to change it to Frequency Number = ‘13’ (which is mapped to 461.1375 MHz), follow this sequence:

1. Enter Advanced Configuration Mode.
2. Short press the PTT button to enter Frequency Mode. The radio audible voice announces that the current value is ‘2’.

3. Press the SB1 button eleven times to increase frequencies and you will hear frequency “One, three” (13).
4. Long press the PTT button. LED Indicator shows a green heartbeat to indicate ‘Idle’ Programming Mode.
5. Long press the PTT button again to exit Programming Mode or turn OFF the radio.

Example of Programming a Code

Assuming the current code value is set to factory default ‘001’, and you want to change it to CTCSS/DPL Code = 103. Follow the sequence indicated below:

1. Enter Advanced Configuration Mode.
2. Short press the PTT button twice. The radio audible voice announced “Code Number” (Entering CTCSS/DPL Programming Selection Mode).
3. Pressing and holding SB1 or SB2 button fast forwards / rewinds the value at the nearest 10’s. When released, the radio audible voice announces the first, second and third digit in

- full. Keep pressing the SB1 or SB2 button several times until you hear “103”.
4. Long press the PTT button. LED Indicator shows a green heartbeat to indicate ‘Idle’ Programming Mode.
5. Long press the PTT button again to exit Programming Mode or turn OFF the radio.

Example of Programming Auto-Scan

Auto-Scan is the third available feature in the Programming Mode and can be set to either ON or OFF on a particular channel.

To set Auto-Scan to ON:

1. Enter Advanced Configuration Mode and select the desired channel.
2. Short press the PTT button three times to enter the Active Channels Programming Selection Mode. The audible voice in the radio announces “Auto-Scan” and the setting (Enabled or Disabled).
3. To change the setting, press SB1 or SB2.
4. Long press the PTT button. LED Indicator

shows a green heartbeat to indicate 'Idle' Programming Mode.

5. Long press the PTT button again to exit Programming Mode or turn OFF the radio.

Example of Programming Active Channels

Active Channels is the fourth* Programming Mode. It allows you to modify the number of active channels the radio is programmed to support.

To set Active Channels:

1. Enter Advanced Configuration Mode and select the desired channel.
2. Short press the PTT button four times to enter the Active Channels Programming Selection Mode. The audible voice in the radio announces "Active Channels" and the current value.
3. Short press the SB1 or SB2 button until you get the number of channels desired.
4. Long press the PTT button. LED Indicator shows a green heartbeat to indicate 'Idle' Programming Mode.

5. Long press the PTT button to exit Programming Mode or turn OFF the radio.

Note: (*) For RDU4103 it is the fifth menu.

Example of Programming Weather Channels (Not valid for RMU4103)

Weather Channels is the last Programming mode. It allows you to toggle a radio channel between 2 way radio mode and weather alert mode.

To set channels to Weather Alert Mode:

1. Enter Advanced Configuration Mode and select the desired channel.
2. Short press the PTT button five times to enter the Weather Channels Programming Mode.
3. An audible voice announces "Weather Channel and Frequency Used" and instructions on how to change values. Refer to "Weather Channel Frequencies Table" on Short press the SB1 or SB2 button to enable/disable the feature. page 48 for the frequency table.
4. Short press the SB1 or SB2 button to enable/disable the feature.
5. Long press the PTT button. LED Indicator

shows a green heartbeat to indicate 'Idle' Programming Mode.

6. Long press the PTT button again to exit Programming mode or turn OFF the radio.

OTHER PROGRAMMING FEATURES

Scan

Scan allows you to monitor other channels to detect conversations. When the radio detects a transmission, it stops scanning and goes to the active channel. This allows you to listen and talk to people in that channel without having to change channel manually. If there are transmissions on another channel, you will not hear that activity once the radio has stopped scanning. Once the activity on transmitting channel stops, the radio waits for 5 seconds before resuming scan again.

- To start scanning, press the SB1 or SB2 button.

Notes: Scan has to be programmed either to SB1 or SB2 button via CPS. SB2 is by default Scan/Nuisance Channel delete button.

- To stop scanning, short press the SB1 or SB2 button (programmed for scan) again.

- By pressing the PTT button while the radio is scanning, the radio will transmit on the channel which was previously selected before Scan is activated. If no transmission occurs within 5 seconds, scanning resumes.
- If you want to scan a channel without the Interference Eliminator Codes (CTCSS/DPL), set the code settings for the channels to '0' in the CTCSS/DPL Programming Selection Mode

Notes: Whenever the radio is set to Scan, the LED Indicator blinks a Red Heartbeat.

Editing Scan List

Scan List can be edited by using the CPS. For more information refer to "Customer Programming Software (CPS)" on page 43

Nuisance Channel Delete

Nuisance Channel Delete allows you to temporarily remove channels from the Scan List. This feature is useful when irrelevant conversations on a 'nuisance' channel ties up the radio's scanning feature.

To delete a channel from the Scan List:

- Start Scan mode by short pressing the SB1 or SB2 (programmed for scan) button.

- Wait until the radio stops at the channel you wish to eliminate. Long press the SB2 button to delete it. You cannot delete the channel with scan enabled (home channel).
- The channel will not be scanned again until you exit the Scan mode by short pressing the SB1 or SB2 (programmed for scan) button again or by turning OFF the radio and back ON.

CUSTOMER PROGRAMMING SOFTWARE (CPS)

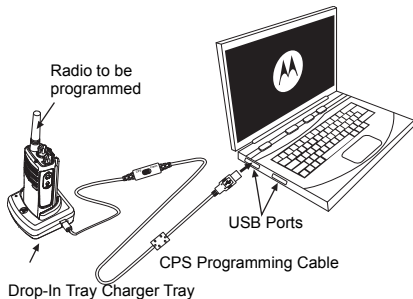


Figure 1: Setting up the radio to the CPS

The easiest way to program or change features in your radio is by using the Customer Programming Software (CPS) and the CPS Programming Cable(*). CPS Software is available for free as web based downloadable software at:

www.motorolasolutions.com/RDX

To program, connect the RM Series radio via the Drop-in Charger Tray and CPS Programming Cable as shown in **Figure 1 on page 43**. Toggle the cable switch of the CPS Programming Cable to 'CPS Mode'.

CPS allows you to program frequencies, PL/DPL Codes as well as other features such as: Bandwidth Select, Time-out Timer, Power Select, Scan List, Call Tones, Scramble, Reverse Burst, etc. CPS is a very useful tool as it can also lock the Front-Panel Radio Programming or restrict any specific radio feature to be changed (to avoid accidentally erasing the preset radio values). It also provides security by giving the option to set up a password for profile radio's management. For more information, refer to Features Summary Chart Section at the end of the User Guide.

Note: (*) CPS Programming Cable P/N# HKKN4027_ is an accessory sold separately. Please contact your Motorola

Solutions point of purchase for more information.

Time-Out Timer

This timer sets the amount of time that the radio can continuously transmit before the transmission is automatically terminated. The default setting is 60 seconds and can be changed using the CPS.

Power Select

Power Select allows you to select between high and low transmission power per frequency in each channel. The power levels for RDX High Power are 2/4W for UHF and 2/5W for VHF.

Call Tones

Call Tones feature allows you to transmit an audible tone to other radios on the same channel to alert them that you are about to talk or to alert them without speaking.

To use this feature, the Call Tones must be programmed to either SB1 or SB2 and 1 of the 3 pre-recorded tones is selected.

Scramble

The Scramble feature makes transmissions sound garbled to anyone listening without the same code.

Scramble default value is OFF. To change the scramble code during radio's normal operation, the Scramble feature must be programmed to either SB1 or SB2.

Reverse Burst

Reverse Burst eliminates unwanted noise (squelch tail) during loss of carrier detection. You can select values of either 180 or 240 to be compatible with other radios. The default value is 180.

Notes:

- The features described in previous pages are just some of the features CPS has. CPS offers more capabilities. For more information refer to the HELP file in the CPS.
- Some of the features available with the CPS software may vary depending on the radio model.

TEXT-TO-SPEECH (CHANGING PRE-DEFINED VOICE ALIASES)

Enable User Pre-Defined Voice Prompt (VP) Checkbox

Check the box to enable user-defined voice on the selected channel. The user is given the option to

either use the Text-to-Speech synthesizer in order to generate automated voice, or import a wave (.wav) file containing the voice data.

User Pre-Defined Voice Prompt (VP) Text

This field is used by the Text-to-Speech synthesizer embedded in the CPS to generate user-defined voice for the selected channel.

Note:

- The length of the string cannot exceed 18 characters.
- The string can only contain ISO-8859-1 characters.

Import Voice File

This field allows the user to upload a pre-existing wave (.wav) file from the local hard drive. The first eight characters of the wave files are used to populate the channel "Name".

Note:

- The wave file must be sampled at 8 kHz.
- The wave file cannot exceed 65,000 kB in length.

Listen to User Customized Voice Prompt (VP) Text

This field allows the user to play the output voice signal generated from the Text-to-Speech synthesizer.

WEATHER FEATURE (NOT FOR RDU4103)

The RDX radio weather mode can be programmed to operate and receive weather channels that are broadcast by the National Weather Radio (NWR). The NWR system is a nationwide network of radio stations (more than 1000 stations in United States) that broadcast continuous weather information for the public. The NWR broadcasts all types of weather service warnings, watches, forecasts and other hazard information. The NWR can also broadcast non-weather alerts such as national security, natural, environmental, and public safety in conjunction with the Emergency Alert System (EAS).

The RDX radio weather feature can detect weather alerts/warnings that are broadcast by NWR. The RDX+ radio can be programmed to detect the analog tone or digital-over-audio protocol. The analog tone is a 1050 Hz tone (Warning Alarm Tone), which is issued for 10 seconds immediately before the warning message by the NWR transmitter. When RDX radio detects the Warning Alarm tone, it unmutes audio and

allows the user to hear the weather alert message. As for digital-over-audio protocol, it is a newer technology called Specific Area Message Encoding (SAME) that allows weather radio to receive digital data stream about the type of weather events, timing, duration, and location. When RDX radio detects these special warnings, the radio can be programmed to automatically generate a loud tone, enable LED indicator, and display “hazard” status on the display. With the SAME technology, the RDX radio weather mode can be programmed to detect the type of weather warnings or watches for a specified the county or counties.

Further information about the National Weather Radio system such as network updates, transmitter coverage maps, and SAME event codes can be found on the Internet at www.nws.noaa.gov/nwr/.

Weather Alert Mode

Select the alert mode the radio will respond to alerts sent from the National Weather Service, which transmitted prior to the broadcast of any message about a life or property threatening event.

Choices available are:

- OFF (Default): Disable the Weather Alert Feature.

- Tone Alert: Detect the Warning Alarm Tone (WAT).
- SAME Alert: Detect the Special Area Message Encoding (SAME).

Weather Channel Frequencies Table

Frequency Number	Value (Mhz)
1	162.4000
2	162.4250
3	162.4500
4	162.4750
5	162.5000
6	162.5250
7	162.5500

THE WEATHER ALERT HAS TWO MODES OF OPERATIONS:

7. In Weather Channel Mode, the radio is in a muted state until it detects the WAT/SAME. When the radio detects the WAT, the radio unmutes and allows the user to hear the weather alert message.
8. In two-way mode (on two-way channel), Weather Alert feature becomes a special scan feature. The radio scans between the current selected two-way channel and the selected weather channel. When the radio detects WAT/SAME signal on the weather channel, the radio unmutes to allow the user to listen the weather message. For Tone Alert, the radio stays in receiving mode until weather signal is weak or user presses the PTT button or changes the channel using the Channel Selector Knob. For SAME alert, whether the radio stays in receiving mode or switches back to two-way mode depending on the setting of the EOM Enabled.

Warning: RDX radio does not detect Weather Alert while it is receiving or transmitting on a two-way channel.

EOM Enabled

This feature is only available for SAME Alert mode and it is only effective when the radio operates in two-way mode or Weather Channel mode. When checked and in two-way mode, the radio switches back to two-way channel and continues to weather scan after it receives end of message (EOM). For weather channel, the radio mutes and continues to look for new SAME alert after it receives EOM. When unchecked, it stays in receiving mode until weather signal is weak or user presses the PTT button or changes the channel using the Channel Selector Knob.

New Alert Tone Timer

Select a pre-defined time for a radio to play the new alert tone. When a radio receives a new SAME alert message, the LED screen lights up and the radio starts playing the new alert tone at the end of the message. Users have the ability to configure how long the alert tone will be played.

Choices available are:

- 0 – forever until a button is pressed, or user switches channel, or the new alert message is expired.
- 5 min.
- 10 min.
- 30 min.

Note: Embedded in the SAME message is the duration of the alert message. The RDX radio continues to display the alert until the duration expiration time.

EVENT TYPE FILTER

The RDX radio is a programmable weather radio that allows users to choose the type of weather warnings and watches that will alarm. The radio can be programmed to allow or block an event by its type.

All Events

When checked, the radio allows for all SAME events.

Alert Test Event

When SAME alert is enabled, the radio responds to any test events. When checked, the radio alerts the same way as other SAME alert messages. When unchecked, the radio displays only the Message,

lights the alert LED without unmuting the radio. The radio does not play the new alert tone at this time.

Note: No matter how the user programs the event filter, some critical events cannot be blocked. The National Weather Service broadcast a test alert every week on Wednesday between 11 AM and Noon. Users should use test alert to ensure that their radios are functioning properly. See also: The Critical Events Table.

WARNING

When checked, the radio allows all warning events. Warning events are events that alone pose a significant threat to public safety and/or property.

Note: No matter how the user programs the event filter, some critical events cannot be blocked. See also: “The Critical Events Table” on page 50.

WATCH

When checked, the radio allows all watch events. Watches are events that meet the classification of a warning, but either the onset time, probability of occurrence or location is uncertain.

Note: No matter how the user programs the event filter, some critical events cannot be blocked. See also: “The Critical Events Table” on page 50.

EMERGENCY

When checked, the radio allows all emergency events. Emergency event is an event that by itself would not kill or injure or do property damage, but indirectly may cause other things to happen that result in a hazard.

Note: No matter how the user programs the event filter, some critical events cannot be blocked. See also: “The Critical Events Table” on page 50.

STATEMENT

When checked, the radio allows all statement events. Statement is message that contains follow-up information to a warning, watch, or emergency.

Note: No matter how the user programs the event filter, some critical events cannot be blocked. See also: “The Critical Events Table” on page 50.

EVENT CODE FILTER

A specific SAME event can be allowed or blocked. There are maximum of five Event Codes can be programmed.

BLOCK EVENT

When checked, the Event Codes entered below shall be blocked.

Note: No matter how the user programs the event filter, some critical events cannot be blocked. See also: “The Critical Events Table” on page 50.

EVENT CODE

The Event Code field accepts wild card (“*”). The following are examples of valid Event Code format.

- “****” - all events
- FL “*” – FLA or FLW
- FLA

The “blank” means unprogrammed and the radio will bypass it without doing anything.

Note: No matter how the user programs the event filter, some critical events cannot be

blocked. See also: "The Critical Events Table" on page 50.

THE CRITICAL EVENTS TABLE

Abbreviation	Description
BHW	Biological Hazard Warning
CDW	Civil Danger Warning
CEM	Civil Emergency Message
CHW	Chemical Hazard Warning
CWW	Contaminated Water Warning
DBW	Dam Break Warning
DEW	Contagious Disease Warning

Abbreviation	Description
EAN	Emergency Action Notification
EAT	Emergency Action Termination
EQW	Earthquake Warning
EVI	Evacuation Immediate
FCW	Food Contamination Warning
HMW	Hazardous Materials Warning
HUW	Hurricane Warning
IEW	Immediate Evacuation Warning

Abbreviation	Description
IFW	Industrial Fire Warning
LAE	Local Area Emergency
LEW	Law Enforcement Warning
LSW	Land Slide Warning
NHW	National Hazard Warning
NUW	Nuclear Power Plant Warning
RHW	Radiological Hazard Warning
SPW	Shelter In Place Warning

Abbreviation	Description
TOR	Tornado Warning
TOW	Tornado Warning
TRW	Tropical Storm Warning
TSA	Tsunami Watch
TSW	Tsunami Warning
VOW	Volcano Warning
WFW	Wild Fire Warning

GEOGRAPHIC FILTER

There are maximum of six geographic codes can be programmed. When all fields are unselected, or any of the geographic code is "ALL" for both State and County code (FIPS is "000000"), the radio bypasses the Geographic Filter check.

There are two ways to enter the geographic code,

- Select State and County Code
- Enter the FIPS code directly (must be 6 digits)

STATE

Selects the State, Territory and Offshore (Marine Area) portion (SS) the radio alerts for.

COUNTY

Select a county, province, or major metropolitan area (CCC) the radio alerts for.

FIPS

Federal Information Processing Standards (FIPS) contains six digits which represent PSSCCC, where P is the region code, SS is the state code and CCC is the county code.

Enters/Edits a specific FIPS whenever it is necessary.

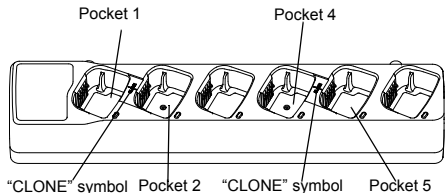
Further information about FIPS can be found on the Internet at www.nws.noaa.gov/nwr/indexnw.htm or call the National Weather Service Toll-Free Number SAME county code – 1888-NWS-SAME (1-888-697-7263).

CLONING RADIOS

You can clone RDX Series radio profiles from one Source radio to a Target radio by using any one of these three methods:

- Using a Multi Unit Charger (MUC- optional accessory),
- Using two Single Unit Chargers (SUC) and a Radio-to-Radio cloning cable (optional accessory),
- the CPS (free software download)

Cloning with a Multi Unit Charger (MUC)



To clone radios using the MUC, there must be at least two radios:

- a Source radio (the radio which profiles will be cloned or copied from) and
- a Target radio (the radio which profile will be cloned from the source radio.)

The Source radio has to be in Pocket 1, 3 or 5 while the Target radio has to be in Pocket 2, 4 or 6, matching in the MUCs pockets by pairs as follows:

- 1 and 2 or,
- 3 and 4 or,
- 5 and 6 (*).

When cloning, the MUC does not need to be plugged into a power source, but ALL radios require charged batteries.

1. Turn ON the Target radio and place it into one of the MUC Target Pockets.
2. Power the Source radio following the sequence below:
 - Long Press the PTT button and SB2 simultaneously while turning the radio ON.
 - Wait for 3 seconds before releasing the buttons until the audible tone "Cloning" is heard.
3. Place the Source radio in the source pocket that pairs with the target pocket you chose in step 1. Press and release the SB1 button.
4. After cloning is completed, the Source radio will announce either "successful" (cloning is successful) or "fail" (cloning has failed). The 'successful' tone sounds like a good key 'chirp' whereas the 'fail' tone sounds similar to a 'bonk' tone. If the Source radio is a display model, it

will either show 'Pass' or 'Fail' on the display (a tone will be heard within 5 s).

- Once you have completed the cloning process, turn the radios OFF and ON or, long press the PTT button to exit the 'cloning' mode.

Further details on how to clone radios are explained in the Instructions Sheet provided with the MUC.

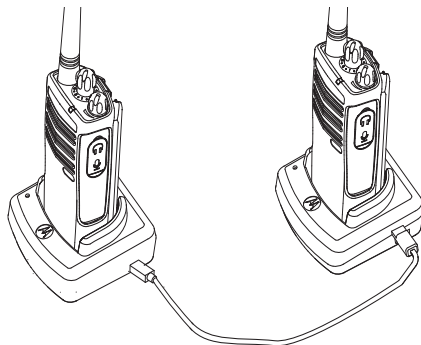
When ordering the MUC, refer to P/N# RLN6309_.

Notes:

- If cloning fails, refer to "What To Do If Cloning Fails" on page 55.
- Paired Target radios and Source radios must be of the same band type in order for the cloning to run successfully.
- MUC pockets numbers should be read from left to right with the Motorola Solutions logo facing front.

Cloning Radio using the Radio to Radio

(R2R) Cloning Cable (Optional Accessory)



Operating Instructions

- Before starting the cloning process, make sure you have:
 - A fully charged battery on each of the radios.
 - Two Single-Unit Chargers (SUC).
 - Turn OFF the radios and,
 - Both radios are of the same radio model.
- Unplug any cables (power supply or USB cables) from the SUCs.

3. Plug one side of the cloning cable mini USB connector to the first SUC and the other end to the second SUC.

Note: During the cloning process, no power is being applied to the SUC. The batteries will not be charged. Only data communication is being established between the two radios.

4. Turn ON the Target Radio and place it into one of the SUCs.
5. For the Source Radio, power ON the radio with the following sequence:
 - Long press the PTT button and SB2 simultaneously while turning the radio ON.
 - Wait for 3 s before releasing the buttons until a distinctive audible tone is heard.
6. Place the Source radio in its SUC, press and release SB1.
7. After cloning is completed, the Source radio will sound either a 'pass' tone (cloning was successful) or a 'fail' tone (cloning process has failed). The 'pass' tone sounds like a good key 'chirp' whereas the 'fail' tone sounds similar to a

'bonk' tone. If the Source radio is a display model, it will either show 'Pass' or 'Fail' on the display (a tone will be heard within 5 seconds).

8. Once you have completed the cloning process, turn the radios OFF and ON to exit 'clone' mode.

What To Do If Cloning Fails

The radio will emit an audible "bonk" indicating that the cloning process has failed. In the event that the cloning fails, perform each of the following steps before attempting to start cloning process again:

1. Ensure that the batteries on both radios are fully charged.
2. Check the cloning cable connection on both SUCs.
3. Ensure that the battery is engaged properly on the radio.
4. Ensure that there is no debris in the charging tray or on the radio contacts.
5. Ensure that the Target radio is turned ON.
6. Ensure that the Source radio is in cloning mode.

7. Ensure that the two radios are both from the same frequency band, same region and have the same transmission power.

Note: This cloning cable is designed to operate only with compatible Motorola SUC RLN6175_ and RLN6304_.

When ordering Optional Cloning Cable, please refer to P/N# RLN6303_. For more information about the accessories, refer to "Accessories" on page 79.

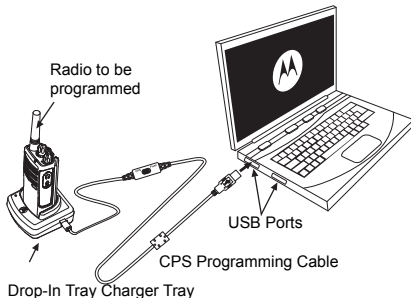
Cloning using the Customer Programming Software (CPS)

When cloning using this method, you need the CPS software, a Drop-In Tray Charger and the CPS Programming Cable.

To order the CPS Programming Cable, please refer to P/N# RKN4155_.

Information on how to clone using the CPS is available either in:

- the CPS Help File --> Content and Index --> Cloning Radios, or
- in the CPS Programming Cable Accessory Leaflet.



NOTES

TROUBLESHOOTING

<i>Symptom</i>	<i>Try This...</i>
No Power	Recharge or replace the Li-Ion battery. Extreme operating temperatures may affect battery life. Refer to "About the Li-Ion Battery" on page 16.
Hearing other noises or conversation on a channel	Confirm Interference Eliminator Code is set. Frequency or Interference Eliminator Code may be in use. Change settings: either change frequencies or codes on all radios. Make sure radio is at the right frequency and code when transmitting. Refer to "Talking and Monitoring" on page 29.
Message Scrambled	Scramble Code might be ON, and/or setting does not match the other radios' settings.
Audio quality not good enough	Radio settings might not be matching up correctly. Double check frequencies, codes and bandwidths to make sure they are identical in all radios.

Symptom	Try This...
Limited talk range	<p>Steel and/or concrete structures, heavy foliage, buildings or vehicles decrease range. Check for clear line of sight to improve transmission.</p> <p>Wearing radio close to body such as in a pocket or on a belt decreases range. Change location of radio. To increase range and coverage, you can reduce obstructions or increase power. UHF radios provides greater coverage in industrial and commercial buildings. Increasing power provides greater signal range and increased penetration through obstructions.</p> <p>Refer to “Talking and Monitoring” on page 29.</p>
Message not transmitted or received	<p>Make sure the PTT button is completely pressed when transmitting.</p> <p>Confirm that the radios have the same Channel, Frequency, Interference Eliminator Code and Scramble Code settings. Refer to “Talking and Monitoring” on page 29 for further information.</p> <p>Recharge, replace and/or reposition batteries. Refer to “About the Li-Ion Battery” on page 16.</p> <p>Obstructions and operating indoors, or in vehicles, may interfere. Change location. Refer to “Talking and Monitoring” on page 29.</p> <p>Verify that the radio is not in Scan. Refer to “Scan” on page 42 and “Nuisance Channel Delete” on page 42.</p>

<i>Symptom</i>	<i>Try This...</i>
Heavy static or interference	Radios are too close; they must be at least five feet apart. Radios are too far apart or obstacles are interfering with transmission. Refer to “Talking and Monitoring” on page 29.
Low batteries	Recharge or replace Li-Ion battery. Extreme operating temperatures affect battery life. Refer to “About the Li-Ion Battery” on page 16.
Drop-in Charger LED light does not blink	Check that the radio/battery is properly inserted and check the battery/charger contacts to ensure that they are clean and charging pin is inserted correctly. Refer to “Charging the Battery” on page 22, “Drop-in Tray Charger LED Indicators” on page 24 and “Installing the Lithium-Ion (Li-Ion) Battery” on page 18.
Low battery indicator is blinking although new batteries are inserted	Refer to “Installing the Lithium-Ion (Li-Ion) Battery” on page 18, and “About the Li-Ion Battery” on page 16.

Symptom	Try This...
Cannot activate VOX	<p>VOX feature might be set to OFF.</p> <p>Use the CPS to ensure that the VOX Sensitivity level is not set to '0'.</p> <p>Accessory not working or not compatible.</p> <p>Refer to "Hands-Free Use/VOX" on page 33.</p>
Battery does not charge although it has been placed in the drop-in charger for a while	<p>Check drop-in tray charger is properly connected and correspond to a compatible power supply.</p> <p>Refer to "Charging with the Drop-in Tray Single Unit Charger (SUC)" on page 22 and "Charging A Stand-Alone Battery" on page 23.</p> <p>Check the charger's LEDs indicators to see if the battery has a problem. Refer to "Drop-in Tray Charger LED Indicators" on page 24.</p>
User voice prompt does not clone.	<p>Check the front radio name plate. Radios with an orange color font will not support customize voice prompt.</p>

Note: Whenever a feature in the radio seems to not correspond to the default or preprogrammed values, check to see if the radio has been programmed using the CPS with a customized profile.

USE AND CARE



Use a soft damp cloth
to clean the exterior

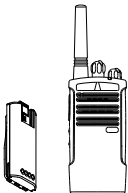


Do not immerse
in water

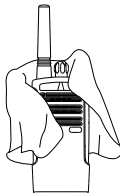


Do not use alcohol or
cleaning solutions

If the radio is submerged in water...



Turn radio OFF and
remove batteries



Dry with soft cloth



Do not use radio until
completely dry

NOTES

FREQUENCY AND CODE CHARTS

RDX VHF FREQUENCIES CHART

The charts in this section provide Frequency and Code information. These charts are useful when using the Motorola RDX Series two-way radios with other business radios.

VHF Frequencies - BRUS

Frequency #	Frequency (MHz)	Bandwidth
1(*)	151.6250	12.5 kHz
2(*)	151.9550	12.5 kHz
3	152.8850	12.5 kHz
4	152.9150	12.5 kHz
5	151.7000	12.5 kHz
6	151.7600	12.5 kHz
7	152.9450	12.5 kHz
8	151.8350	12.5 kHz
9	151.8050	12.5 kHz
10(*)	151.5125	12.5 kHz
11	151.6550	12.5 kHz
12(*)	151.6850	12.5 kHz
13	151.7150	12.5 kHz
14	151.7450	12.5 kHz

Frequency #	Frequency (MHz)	Bandwidth
15(*)	151.7750	12.5 kHz
16	151.8650	12.5 kHz
17	151.8950	12.5 kHz
18	151.9250	12.5 kHz
19	152.9000	12.5 kHz
20(*)	154.4900	12.5 kHz
21(*)	154.5150	12.5 kHz
22	154.5275	12.5 kHz
23	154.5400	12.5 kHz
24	153.0050	12.5 kHz
25	154.5475	12.5 kHz
26	158.4000	12.5 kHz
27	158.4075	12.5 kHz

Note: (*) Default Frequencies

Note: (**) Warning, Receive only Frequency

RDX VHF 10CH Radios Default Frequencies – RDV5100

Channel	Frequency #	Frequency (MHz)	Code#	Code	Bandwidth
1	1	151.6250	1	67.0 Hz	12.5 kHz
2	1	151.6250	4	77.0 Hz	12.5 kHz
3	1	151.6250	8	88.5 Hz	12.5 kHz
4	1	151.6250	29	179.9 Hz	12.5 kHz
5	1	151.6250	0	-	12.5 kHz
6	2	151.9550	1	67.0 Hz	12.5 kHz
7	2	151.9550	6	82.5 Hz	12.5 kHz
8	WC	162.4000	10	67.0 Hz	25.0 kHz
9	2	151.9550	29	179.9 Hz	12.5 kHz
10	2	151.9550	0	-	12.5 kHz

Notes: WC = Weather Channel Frequency

RDX UHF FREQUENCIES CHART

RDX UHF Frequencies

Frequency #	Frequency (MHz)	Bandwidth
1	464.5000	12.5 kHz
2	464.5500	12.5 kHz
*3	467.7625	12.5 kHz
*4	467.8125	12.5 kHz
*5	467.8500	12.5 kHz
*6	467.8750	12.5 kHz
*7	467.9000	12.5 kHz
*8	467.9250	12.5 kHz
9	461.0375	12.5 kHz
10	461.0625	12.5 kHz
11	461.0875	12.5 kHz
12	461.1125	12.5 kHz
13	461.1375	12.5 kHz
14	461.1625	12.5 kHz

Frequency #	Frequency (MHz)	Bandwidth
15	461.1875	12.5 kHz
16	461.2125	12.5 kHz
17	461.2375	12.5 kHz
18	461.2625	12.5 kHz
19	461.2875	12.5 kHz
20	461.3125	12.5 kHz
21	461.3375	12.5 kHz
22	461.3625	12.5 kHz
*23	462.7625	12.5 kHz
*24	462.7875	12.5 kHz
*25	462.8125	12.5 kHz
*26	462.8375	12.5 kHz
*27	462.8625	12.5 kHz
*28	462.8875	12.5 kHz

RDX UHF Frequencies (Continued)

Frequency #	Frequency (MHz)	Bandwidth
*29	462.9125	12.5 kHz
30	464.4875	12.5 kHz
31	464.5125	12.5 kHz
32	464.5375	12.5 kHz
33	464.5625	12.5 kHz
34	466.0375	12.5 kHz
35	466.0625	12.5 kHz
36	466.0875	12.5 kHz
37	466.1125	12.5 kHz
38	466.1375	12.5 kHz
39	466.1625	12.5 kHz
40	466.1875	12.5 kHz
41	466.2125	12.5 kHz
42	466.2375	12.5 kHz
43	466.2625	12.5 kHz
44	466.2875	12.5 kHz
45	466.3125	12.5 kHz
46	466.3375	12.5 kHz

Frequency #	Frequency (MHz)	Bandwidth
47	466.3625	12.5 kHz
*48	467.7875	12.5 kHz
*49	467.8375	12.5 kHz
*50	467.8625	12.5 kHz
*51	467.8875	12.5 kHz
*52	467.9125	12.5 kHz
53	469.4875	12.5 kHz
54	469.5125	12.5 kHz
55	469.5375	12.5 kHz
56	469.5625	12.5 kHz
57	462.1875	12.5 kHz
58	462.4625	12.5 kHz
59	462.4875	12.5 kHz
60	462.5125	12.5 kHz
61	467.1875	12.5 kHz
62	467.4625	12.5 kHz
63	467.4875	12.5 kHz
64	467.5125	12.5 kHz

RDX UHF Frequencies (Continued)

Frequency #	Frequency (MHz)	Bandwidth
65	451.1875	12.5 kHz
66	451.2375	12.5 kHz
67	451.2875	12.5 kHz
68	451.3375	12.5 kHz
69	451.4375	12.5 kHz
70	451.5375	12.5 kHz
71	451.6375	12.5 kHz
72	452.3125	12.5 kHz
73	452.5375	12.5 kHz
74	452.4125	12.5 kHz
75	452.5125	12.5 kHz
76	452.7625	12.5 kHz
77	452.8625	12.5 kHz
78	456.1875	12.5 kHz
79	456.2375	12.5 kHz
80	456.2875	12.5 kHz
81	456.3375	12.5 kHz
82	456.4375	12.5 kHz

Frequency #	Frequency (MHz)	Bandwidth
82	456.4375	12.5 kHz
83	456.5375	12.5 kHz
84	456.6375	12.5 kHz
85	457.3125	12.5 kHz
86	457.4125	12.5 kHz
87	457.5125	12.5 kHz
88	457.7625	12.5 kHz
89	457.8625	12.5 kHz
90	468.2125	12.5 kHz
91	468.2625	12.5 kHz
92	468.3125	12.5 kHz
93	468.3625	12.5 kHz
94	468.4125	12.5 kHz
95	468.4625	12.5 kHz
96	468.5125	12.5 kHz
97	468.5625	12.5 kHz
98	468.6125	12.5 kHz
99	468.6625	12.5 kHz

Note: (*) Frequency limited to 2 W maximum power output.

RDU4100 – UHF DEFAULT FREQUENCIES CHART

RDX UHF 10CH Radios Default Frequencies – RDU4100

Channel	Frequency #	Frequency (MHz)	Code #	Code	Bandwidth
1	1	464.5000	1	67.0 Hz	12.5 kHz
2	1	464.5000	4	77.0 Hz	12.5 kHz
3	1	464.5000	8	88.5 Hz	12.5 kHz
4	1	464.5000	29	179.9 Hz	12.5 kHz
5	1	464.5000	0	-	12.5 kHz
6	2	464.5500	1	67.0 Hz	12.5 kHz
7	2	464.5500	6	82.5 Hz	12.5 kHz
8	WC	162.4000	10	67.0 Hz	25.0 kHz
9	2	464.5500	29	179.9 Hz	12.5 kHz
10	2	464.5500	0	-	12.5 kHz

Note: WC = Weather Channel Frequency

RDU4103 – UHF DEFAULT FREQUENCIES CHART

RDX UHF 10CH Radios Default Frequencies – RDU4103

Channel	Frequency #	Frequency (MHz)	Code #	Code	Bandwidth
1	1	458.6625	1	67.0 Hz	12.5 kHz
2	2	469.2625	1	67.0 Hz	12.5 kHz
3	1	458.6625	2	71.9 Hz	12.5 kHz
4	2	469.2625	2	71.9 Hz	12.5 kHz
5	1	458.6625	3	74.4 Hz	12.5 kHz
6	2	469.2625	3	74.4 Hz	12.5 kHz
7	1	458.6625	4	77.0 Hz	12.5 kHz
8	2	469.2625	4	77.0 Hz	12.5 kHz
9	1	458.6625	5	79.7 Hz	12.5 kHz
10	2	469.2625	5	79.7 Hz	12.5 kHz

Note: WC = Weather Channel Frequency

CTCSS AND PL/DPL CODES

CTCSS Codes

CTCSS	Hz
1	67.0
2	71.9
3	74.4
4	77.0
5	79.7
6	82.5
7	85.4
8	88.5
9	91.5
10	94.8
11	97.4
12	100.0
13	103.5

CTCSS	Hz
14	107.2
15	110.9
16	114.8
17	118.8
18	123
19	127.3
20	131.8
21	136.5
22	141.3
23	146.2
24	151.4
25	156.7
26	162.2

CTCSS	Hz
27	167.9
28	173.8
29	179.9
30	186.2
31	192.8
32	203.5
33	210.7
34	218.1
35	225.7
36	233.6
37	241.8
38	250.3
122 (*)	69.3

Note: (*) New CTCSS code.

PL/DPL Codes

DPL	Code
39	23
40	25
41	26
42	31
43	32
44	43
45	47
46	51
47	54
48	65
49	71
50	72
51	73
52	74
53	114
54	115

DPL	Code
55	116
56	125
57	131
58	132
59	134
60	143
61	152
62	155
63	156
64	162
65	165
66	172
67	174
68	205
69	223
70	226

DPL	Code
71	243
72	244
73	245
74	251
75	261
76	263
77	265
78	271
79	306
80	311
81	315
82	331
83	343
84	346
85	351
86	364

PL/DPL Codes (Continued)

DPL	Code
87	365
88	371
89	411
90	412
91	413
92	423
93	431
94	432
95	445
96	464
97	465
98	466
99	503
100	506
101	516
102	532
103	546

DPL	Code
104	565
105	606
106	612
107	624
108	627
109	631
110	632
111	654
112	662
113	664
114	703
115	712
116	723
117	731
118	732
119	734
120	743

DPL	Code
121	754
123	645
124	Customized PL
125	Customized PL
126	Customized PL
127	Customized PL
128	Customized PL
129	Customized PL
130	Inverted DPL 39
131	Inverted DPL 40
132	Inverted DPL 41
133	Inverted DPL 42
134	Inverted DPL 43
135	Inverted DPL 44
136	Inverted DPL 45
137	Inverted DPL 46
138	Inverted DPL 47

PL/DPL Codes (Continued)

DPL	Code
139	Inverted DPL 48
140	Inverted DPL 49
141	Inverted DPL 50
142	Inverted DPL 51
143	Inverted DPL 52
144	Inverted DPL 53
145	Inverted DPL 54
146	Inverted DPL 55
147	Inverted DPL 56
148	Inverted DPL 57
149	Inverted DPL 58
150	Inverted DPL 59
151	Inverted DPL 60
152	Inverted DPL 61
153	Inverted DPL 62
154	Inverted DPL 63
155	Inverted DPL 64

DPL	Code
156	Inverted DPL 65
157	Inverted DPL 66
158	Inverted DPL 67
159	Inverted DPL 68
160	Inverted DPL 69
161	Inverted DPL 70
162	Inverted DPL 71
163	Inverted DPL 72
164	Inverted DPL 73
165	Inverted DPL 74
166	Inverted DPL 75
167	Inverted DPL 76
168	Inverted DPL 77
169	Inverted DPL 78
170	Inverted DPL 79
171	Inverted DPL 80
172	Inverted DPL 81

DPL	Code
173	Inverted DPL 82
174	Inverted DPL 83
175	Inverted DPL 84
176	Inverted DPL 85
177	Inverted DPL 86
178	Inverted DPL 87
179	Inverted DPL 88
180	Inverted DPL 89
181	Inverted DPL 90
182	Inverted DPL 91
183	Inverted DPL 92
184	Inverted DPL 93
185	Inverted DPL 94
186	Inverted DPL 95
187	Inverted DPL 96
188	Inverted DPL 97
189	Inverted DPL 98

PL/DPL Codes (Continued)

DPL	Code
190	Inverted DPL 99
191	Inverted DPL 100
192	Inverted DPL 101
193	Inverted DPL 102
194	Inverted DPL 103
195	Inverted DPL 104
196	Inverted DPL 105
197	Inverted DPL 106
198	Inverted DPL 107
199	Inverted DPL 108

DPL	Code
200	Inverted DPL 109
201	Inverted DPL 110
202	Inverted DPL 111
203	Inverted DPL 112
204	Inverted DPL 113
205	Inverted DPL 114
206	Inverted DPL 115
207	Inverted DPL 116
208	Inverted DPL 117
209	Inverted DPL 118

DPL	Code
210	Inverted DPL 119
211	Inverted DPL 120
212	Inverted DPL 121
213	Inverted DPL 123
214	Customized DPL
215	Customized DPL
216	Customized DPL
217	Customized DPL
218	Customized DPL
219	Customized DPL

MOTOROLA SOLUTIONS LIMITED WARRANTY FOR THE UNITED STATES AND CANADA

What Does this Warranty Cover?

Subject to the exclusions contained below, Motorola Solutions, Inc. warrants its telephones, pagers, and consumer and business two-way radios (excluding commercial, government or industrial radios) that operate via Family Radio Service or General Mobile Radio Service, Motorola Solutions-branded or certified accessories sold for use with these Products ("Accessories") and Motorola Solutions software contained on CD-ROMs or other tangible media and sold for use with these Products ("Software") to be free from defects in materials and workmanship under normal consumer usage for the period(s) outlined below.

This limited warranty is a consumer's exclusive remedy, and applies as follows to new Motorola Solutions Products, Accessories and Software purchased by consumers in the United States, which are accompanied by this written warranty.

Products and Accessories

Products Covered	Length of Coverage
Products and Accessories as defined above, unless otherwise provided for below.	One (1) year from the date of purchase by the first consumer purchaser of the product unless otherwise provided for below.
Decorative Accessories and Cases. Decorative covers, bezels, PhoneWrap™ covers and cases.	Limited lifetime warranty for the lifetime of ownership by the first consumer purchaser of the product.
Business Two-way Radio Accessories	One (1) year from the date of purchase by the first consumer purchaser of the product.
Products and Accessories that are Repaired or Replaced.	The balance of the original warranty or for ninety (90) days from the date returned to the consumer, whichever is longer.

Exclusions

Normal Wear and Tear. Periodic maintenance, repair and replacement of parts due to normal wear and tear are excluded from coverage.

Batteries. Only batteries whose fully charged capacity falls below 80% of their rated capacity and batteries that leak are covered by this limited warranty.

Abuse & Misuse. Defects or damage that result from: (a) improper operation, storage, misuse or abuse, accident or neglect, such as physical damage (cracks, scratches, etc.) to the surface of the product resulting from misuse; (b) contact with liquid, water, rain, extreme humidity or heavy perspiration, sand, dirt or the like, extreme heat, or food; (c) use of the Products or Accessories for commercial purposes or subjecting the Product or Accessory to abnormal usage or conditions; or (d) other acts which are not the fault of Motorola Solutions, are excluded from coverage.

Use of Non-Motorola Solutions Products and Accessories. Defects or damage that result from the use of Non-Motorola Solutions branded or certified Products, Accessories, Software or other peripheral equipment are excluded from coverage.

Unauthorized Service or Modification. Defects or damages resulting from service, testing, adjustment, installation, maintenance, alteration, or modification in any way by someone other than Motorola Solutions, or its authorized service centers, are excluded from coverage.

Altered Products. Products or Accessories with (a) serial numbers or date tags that have been removed, altered or obliterated; (b) broken seals or that show evidence of tampering; (c) mismatched board serial numbers; or (d) nonconforming or non-Motorola Solutions housings, or parts, are excluded from coverage.

Communication Services. Defects, damages, or the failure of Products, Accessories or Software due to any communication service or signal you may subscribe to or use with the Products Accessories or Software is excluded from coverage.

Software

Products Covered	Length of Coverage
<p>Software. Applies only to physical defects in the media that embodies the copy of the software (e.g. CD-ROM, or floppy disk).</p>	<p>Ninety (90) days from the date of purchase.</p>

Exclusions

Software Embodied in Physical Media. No warranty is made that the software will meet your requirements or will work in combination with any hardware or software applications provided by third parties, that the operation of the software products will be

uninterrupted or error free, or that all defects in the software products will be corrected.

Software NOT Embodied in Physical Media.

Software that is not embodied in physical media (e.g. software that is downloaded from the internet), is provided “as is” and without warranty.

WHO IS COVERED?

This warranty extends only to the first consumer purchaser, and is not transferable.

HOW TO OBTAIN WARRANTY SERVICE OR OTHER INFORMATION?

Contact your Motorola Solutions point of purchase.

SOFTWARE COPYRIGHT NOTICE

The Motorola Solutions products described in this manual may include copyrighted Motorola Solutions and third party software stored in semiconductor memories or other media. Laws in the United States and other countries preserve for Motorola Solutions and third party software providers certain exclusive rights for copyrighted software, such as the exclusive rights to distribute or reproduce the copyrighted software. Accordingly, any copyrighted software contained in the Motorola Solutions products may not be modified, reverse-engineered, distributed, or reproduced in any manner to the extent allowed by law.

Furthermore, the purchase of the Motorola Solutions products shall not be deemed to grant either directly or by implication, estoppel, or otherwise, any license under the copyrights, patents, or patent applications of Motorola Solutions or any third party software provider, except for the normal, non-exclusive, royalty-free license to use that arises by operation of law in the sale of a product.

PATENT NOTICE

This product is covered by one or more of the following United States patents.
5896277 5894292 5864752 5699006 5742484
D408396 D399821 D387758 D389158 5894592
5893027 5789098 5734975 5861850 D395882
D383745 D389827 D389139 5929825 5926514
5953640 6071640 D413022 D416252 D416893
D433001

EXPORT LAW ASSURANCES

This product is controlled under the export regulations of the United States of America. The Governments of the United States of America may restrict the exportation or re-exportation of this product to certain destinations. For further information contact the U.S. Department of Commerce.

ACCESSORIES

ANTENNA

Part No.	Description
RAN4031	UHF Whip Antenna 438–470 MHz
RAN4041	VHF Helical Antenna 146–174 MHz
RAN4033	UHF Stubby Antenna 438–470 MHz

AUDIO ACCESSORIES

Part No.	Description
HKLN4601	Surveillance Earpiece BR
53815	Headset with Boom Microphone BR
HMN4606	Remote Speaker Mic BR

Part No.	Description
53865	Headset with Swivel Boom Mic
HKLN4599	Earpiece with Inline Mic Swivel
HKLN4604	Earpiece BR

BATTERY

Part No.	Description
RLN6308	High Capacity Li-Ion Battery
RLN6351	Standard Li-Ion Battery

CABLES

Part No.	Description
RLN6303	Radio to Radio Cloning Cable
RKN4155	CPS Programming Cable

CHARGERS

Part No.	Description
RLN6304	Rapid ACCY Charging Kit - Americas (*)
RLN6309	Multi Unit Charger (MUC) Kit - North America
RLN6175	Standard Drop-in Tray Charger

CARRY ACCESSORIES

Part No.	Description
RLN6307	Spring Action Belt Clip
RLN6302	Hard Leather Carry Case

SOFTWARE APPLICATIONS

Part No.	Description
RVN5147	Customer Programming Software (CPS)

POWER SUPPLIES AC PIN ADAPTERS

Part No.	Description
RLN6349	North America AC Pin Adapter

POWER SUPPLIES

Part No.	Description
RPN4054	Standard US Fixed Power Supply
RPN4058	Standard Exchg AC pin Pwr Supply
PMPN4005	Rapid Exchg AC pin Pwr Supply

Note: Certain accessories may be or may not be available at the time of purchase. For latest information on accessories, contact your Motorola Solutions point of purchase or visit: www.motorolasolutions.com/RDX

(*) Americas Rapid Charging Kit includes Power Supply, Drop-in Tray Charger, and AC Pin adapters.

NOTES

TABLE DES MATIÈRES

Table des matières	1
Sécurité du produit	5
Introduction	7
Contenu de l'emballage	7
Renseignements de licence FCC	8
Informations relatives aux interférences	8
Renseignements relatifs aux licences canadiennes	10
Information générale	10
Demande de licence	11
Renseignements sur l'utilisation sécuritaire des batteries et des chargeurs	12
Directives d'utilisation sécuritaire	13
Présentation de la radio	15
Parties de la radio	15
Bouton Marche/Arrêt/Volume	16
Bouton sélecteur de canal	16
Connecteur accessoire	16
Étiquette du modèle	16
Microphone	16
Antenne	16

Voyant lumineux	16
Boutons latéraux	16
Batterie au lithium-ion (Li-Ion)	17
Modèles RDX sans affichage	17
Caractéristiques de la batterie	18
À propos de la batterie lithium-ion	18
Recyclage et mise au rebut des batteries	19
Installation de la batterie au lithium-ion (Li-Ion)	20
Retrait de la batterie au lithium-ion (Li-Ion)	20
Installation de l'antenne	21
Retrait de l'antenne	21
Installation de la pince de ceinture à ressort	22
Bloc d'alimentation, adaptateur et chargeur instantané	22
Information sur l'autonomie de la batterie	23
Charge de la batterie	24
Voyants DEL du chargeur instantané ..	26
Durée de charge estimée	28

Voyants du chargeur multi-unités	30	Entrée de valeurs de fréquences	40
Pour commencer	31	Lecture des valeurs CTCSS/DPL	40
Mise sous tension et hors tension de la radio . .	31	Lecture des valeurs de alayage automatique	41
Réglage du volume	31	Canaux actifs	41
Sélection d'un canal	31	Programmation du canal météo (non applicable au modèle EDR4103)	41
Conversation et contrôle	31	Enregistrement des paramètres	41
Recevoir un appel	32	FAQ du mode de programmation	42
Portée de communication	32		
Voyants de la radio	34		
Utilisation en mains libres/VOX	35		
Avec accessoires VOX compatibles	35	Exemples de valeurs de programmation . .	43
Mains libres sans accessoire (iVOX)	36	Exemple de programmation d'une fré- quence	43
Réglage de la sensibilité VOX/iVOX	36	Exemple de programmation d'un code .	44
Activation du message vocal en mode utiliza- teur	36	Exemple de programmation du balayage automatique	44
Mode de tonalité de mise sous tension	36	Exemple de programmation des canaux ac- tifs	45
Réinitialisation des paramètres par défaut . .	36	Exemple de programmation des canaux de météo (non valide pour le modèle RMU4103)	45
Gain du microphone	37	Autres fonctions de programmation	46
Fonctions de programmation	39		
Mode de configuration avancée	39		
Accès au mode de configuration avancée .	39		

Balayage	46	Mode d'alerte météo	52
Modification de la liste de balayage	47	Tableau des fréquences de canal météo	52
Suppression d'un canal nuisible	47	Il existe deux modes d'opération des alertes	
Logiciel de programmation client (CPS) . . .	48	météo :	53
Minuterie de délai d'attente	49	EOM activé	53
Sélection de l'alimentation	49	Minuterie de nouvelle tonalité d'alerte . .	53
Tonalités d'appel	49	Filtre de type d'événement	54
Brouillage	49	Tous les événements	54
Rafale en arrière	49	Événement de test d'alarme	54
Texte-parole (modification des alias vocaux		Avertissement	55
prédéfinis)	50	Veille	55
Case à cocher Activation des messages vo-		Urgence	55
caux prédéfinis par l'utilisateur	50		
Messages vocaux prédéfinis par l'utilisateur		Communiqué	55
50		Filtre de code d'événement	56
		Blocage d'événement	56
		Code d'événement	56
		Tableau des événements critiques	57
		Filtre géographique	59
Importer un fichier vocal	50	État	59
Écoute des messages vocaux définis par			
l'utilisateur	50		
Fonction météo (non applicable au modèle			
RDU4103)	51		

Comté	59	Antenne	90
FIPS	59	Accessoires audio	90
Clonage de radios	60	Batterie	90
Clonage avec un chargeur multi-unités (MUC)	60	Câbles	91
Clonage de la radio au moyen du câble de clonage de radio à radio (R2R) (acces- soire en option)	62	Chargeurs	91
Clonage à partir du logiciel de program- mation client (CPS)	64	Accessoires de transport	91
Dépannage	66	Applications logicielles	91
.....	72	Adaptateurs c.a. à broches pour blocs d'alimen- tation	91
Utilisation et entretien	72	Blocs d'alimentation	92
Graphiques des fréquences et des codes 74			
RDX - Tableau des fréquences UHF	76		
RDU4100 - Tableau des fréquences UHF par défaut	79		
RDU4103 - Tableau des fréquences UHF par défaut	80		
Codes CTCSS et PL/DPL	81		
Garantie limitée de Motorola Solutions pour les États-Unis et le Canada	86		
Accessoires	90		

SÉCURITÉ DU PRODUIT

SÉCURITÉ DU PRODUIT ET RESPECT DES NORMES RELATIVES À L'EXPOSITION AUX FRÉQUENCES RADIO



Mise en garde

Avant d'utiliser ce produit, veuillez lire les instructions d'utilisation et les informations sur l'exposition aux fréquences radio contenues dans la brochure « Sécurité du produit et exposition aux fréquences radio » fournie avec votre radio.

ATTENTION!

Pour être conforme aux règlements de la FCC relatifs aux normes d'exposition aux radiofréquences, cette radio ne doit être utilisée qu'à des fins professionnelles.

Pour obtenir une liste des antennes, des batteries et des autres accessoires autorisés par Motorola Solutions, visitez le site Web suivant :

www.motorolasolutions.com/RDX

REMARQUES

INTRODUCTION

Nous vous remercions d'avoir acheté la radio RDX Series™ de Motorola Solutions®. Cette radio est le produit de plus de 80 années d'expérience de Motorola Solutions en tant que leader mondial dans la conception et la fabrication d'équipement de communication. Les radios RDX Series™ offrent des communications à bon prix pour les entreprises telles que les magasins de détail, les restaurants, les écoles, les sites de construction, les manufactures, l'hôtellerie et bien plus encore. Les radios professionnelles bidirectionnelles de Motorola Solutions constituent la solution parfaite pour tous les secteurs au rythme rapide d'aujourd'hui.

Remarque : Lisez attentivement ce guide d'utilisation pour vous assurer que vous savez comment vous servir de votre radio de la façon adéquate avant de l'utiliser

CONTENU DE L'EMBALLAGE

- Radio
- Pince de ceinture
- Batterie au lithium-ion

- Bloc d'alimentation
- Guide de référence rapide
- Chargeur instantané
- Brochure sur la sécurité du produit et l'exposition aux RF
- Antenne

Pour obtenir une copie d'une version avec grands caractères de ce guide d'utilisation ou pour toute question relative au produit, veuillez communiquer avec

800 448-6686 aux États-Unis

1 800 461-4575 au Canada

1 888 390-6456 télécopieur

Pour toute information relative au produit, visitez-nous à l'adresse :

www.motorolasolutions.com/RDX

Ou

Radios professionnelles

RPSD 1C15, Motorola

8000, boul. Sunrise Ouest

Plantation, Floride 33322

RENSEIGNEMENTS DE LICENCE FCC

INFORMATIONS RELATIVES AUX INTERFÉRENCES

Cet appareil est conforme aux stipulations de la Partie 15 des règlements de la FCC. Son utilisation est assujettie à la condition qu'il ne cause pas d'interférence nuisible.

Les radios professionnelles bidirectionnelles de la série RDX^{MC} fonctionnent sur des fréquences radio régies par la Federal Communications Commission (FCC). Afin de

transmettre sur ces fréquences, vous devez vous procurer une licence émise par la FCC. La demande doit être faite en remplissant le formulaire 601 et les annexes D et H, ainsi que le formulaire 159 (Remittance Form) de la FCC.

Pour obtenir ces formulaires de la FCC, demandez le document 000601 qui comprend tous les formulaires et les instructions. Si vous souhaitez que le document vous soit envoyé par télécopieur, par la poste ou si vous avez des questions, utilisez les coordonnées suivantes.

**Pour obtenir une
télécopie, appelez le
système Fax-On-
Demand au :**

1 202 418-0177

**Pour obtenir une copie par la
poste des formulaires de la FCC,
appelez au :**

1 800 418-FORM
1 800 418-3676

**Pour des questions concernant
la licence FCC, appelez la
FCC au :**

1 888 CALL-FCC
1 888 225-5322
Ou visitez la page :
<http://www.fcc.gov>

Avant de remplir votre demande, vous devez décider sur quelles fréquences vous souhaitez exploiter les radios. Reportez-vous à la section « Graphiques des fréquences et des codes ». Pour toute question sur le choix de la fréquence radio, appelez les services sur les produits de Motorola Solutions au :

1 800 448-6686

Toute modification effectuée à cet appareil sans l'autorisation explicite de Motorola Solutions peut annuler l'autorisation d'utiliser cet appareil, telle qu'autorisée par la FCC, et ne devrait pas être faite. Pour se conformer aux exigences de la FCC, les réglages de l'émetteur doivent être effectués par ou sous la surveillance d'un technicien certifiée pour faire l'entretien et les réparations d'émetteur-récepteur pour les services fixes ou mobiles terrestres privés, dont la certification provient d'un représentant de l'organisation de l'utilisateur de ces services.

Le remplacement de n'importe quel composant de l'émetteur-récepteur (quartz, semi-conducteurs, etc.) non autorisé par l'autorisation d'équipement de la FCC pour cette radio risque d'enfreindre la réglementation de la FCC.

L'utilisation de cette radio en dehors du pays pour lequel elle est distribuée est soumise aux réglementations gouvernementales et peut être interdite.

RENSEIGNEMENTS RELATIFS AUX LICENCES CANADIENNES

INFORMATION GÉNÉRALE

Le fonctionnement de votre radio Motorola Solutions est assujéti à la *Loi sur la radiocommunication* et doit se conformer aux règles et règlements du ministère Innovation, Sciences et Développement économique Canada du gouvernement fédéral. Industrie Canada exige que les utilisateurs de fréquences mobiles terrestres privées obtiennent une licence avant d'utiliser leur équipement.

Le formulaire de demande de licence d'Industrie Canada est inclus avec votre radio. Vous pouvez obtenir des formulaires supplémentaires et les plus récentes versions de demandes de licence auprès d'un bureau de district d'Innovation, Sciences et Développement économique Canada. Une liste de ces bureaux est incluse pour votre

information. Cet appareil est conforme aux CNR d'Industrie Canada applicables aux appareils radio exempts de licence. Son utilisation est assujéti aux deux conditions suivantes:

1. Cet appareil ne doit pas causer d'interférence.
2. Cet appareil doit accepter toute interférence reçue, y compris les interférences pouvant entraîner un fonctionnement indésirable de l'appareil.

DEMANDE DE LICENCE

Instructions générales

3. Remplissez les éléments en suivant les instructions. Si vous avez besoin d'espace supplémentaire pour tout élément, utilisez le verso de la demande.
4. Assurez-vous d'utiliser une machine à écrire ou d'écrire lisiblement.
5. Faites une copie pour vos fichiers.
6. Préparez un chèque ou un mandat-poste au nom du « Receveur général du Canada » au montant qui figure dans l'annexe suivante pour chaque radio achetée. (Les licences sont valides jusqu'au 1^{er} avril de chaque année, puis sont renouvelées.)
7. Postez votre demande remplie ainsi que votre chèque ou votre mandat-poste au bureau de district d'Innovation, Sciences et Développement économique Canada

le plus près, conformément à la liste des pages

Pour obtenir le plus récent formulaire de demande de licence canadienne, veuillez visiter :

www.ic.gc.ca

RENSEIGNEMENTS SUR L'UTILISATION SÉCURITAIRE DES BATTERIES ET DES CHARGEURS

Ce document contient d'importantes directives relatives à la sécurité et au fonctionnement de l'appareil. Veuillez lire attentivement cette notice et la conserver pour vous y référer ultérieurement.

Avant d'utiliser le chargeur de batterie, lisez toutes les directives et marquages d'avertissement propres

- au chargeur,
- à la batterie et
- à la radio qui utilise cette batterie

1. Afin de réduire les risques de blessure, ne chargez que les batteries rechargeables agréées Motorola Solutions. Les batteries non agréées pourraient exploser et causer des blessures corporelles et autres dommages.
2. L'utilisation d'accessoires non recommandés par Motorola Solutions pourrait occasionner des risques d'incendie, de choc électrique ou de blessure.
3. Afin de réduire la possibilité d'endommager la fiche et le cordon d'alimentation, débranchez le chargeur en tirant sur la fiche au lieu du cordon.
4. Il n'est pas recommandé d'utiliser une rallonge, sauf en cas de nécessité absolue. L'utilisation d'une rallonge inappropriée pourrait causer un risque d'incendie et de choc électrique. Si une rallonge doit être utilisée, assurez-vous que le format du cordon est de calibre 18 lorsque sa longueur est de 100 pieds (30,48 m) ou moins et de calibre 16 lorsque sa longueur est de 150 pieds (45,72 m) ou moins.

5. Pour réduire le risque d'incendie, de choc électrique ou de blessure, n'utilisez pas le chargeur s'il est brisé ou endommagé de quelque manière que ce soit. Apportez-le à un technicien Motorola Solutions qualifié.
6. Ne désassemblez pas le chargeur. Il ne peut être réparé et aucune pièce de rechange n'est disponible. Le désassemblage du chargeur pourrait occasionner des risques de choc électrique ou d'incendie.
7. Pour réduire les risques de choc électrique, débranchez le chargeur de la prise c.a. avant de procéder à une maintenance ou à un nettoyage.

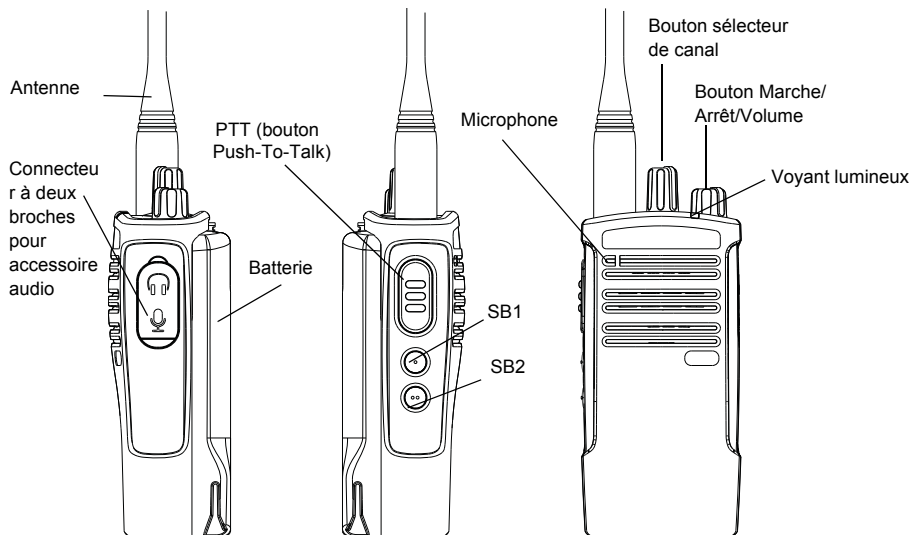
DIRECTIVES D'UTILISATION SÉCURITAIRE

- Éteignez la radio lorsque vous chargez la batterie.
- Le chargeur n'est pas conçu pour une utilisation à l'extérieur. Ne l'utilisez que dans des emplacements secs et sous des conditions de nature semblable.
- Ne branchez le chargeur qu'à un bloc d'alimentation à fusible câblé approprié de tension prescrite (telle que spécifiée sur le produit).
- Débranchez le chargeur de la tension de secteur en retirant la fiche principale.
- La prise de courant à laquelle cet équipement est branché doit se trouver à proximité et être facilement accessible.
- Pour les appareils utilisant des fusibles, les pièces de rechange devront être conformes aux instructions fournies dans la documentation.

- La température ambiante maximale autour du bloc d'alimentation ne doit pas dépasser 40 °C (104 °F).
- La puissance de sortie du bloc d'alimentation ne devra pas dépasser la puissance indiquée sur l'étiquette du produit apposée sous le chargeur.
- Assurez-vous que le cordon est placé à un endroit où il ne sera pas écrasé ou endommagé, ne gênera pas le passage, ne sera pas tendu de façon anormale et ne sera pas exposé à une source d'humidité.

PRÉSENTATION DE LA RADIO

PARTIES DE LA RADIO



Bouton Marche/Arrêt/Volume

Utilisé pour allumer et éteindre la radio et régler le volume.

Bouton sélecteur de canal

Utilisé pour changer les canaux de la radio.

Connecteur accessoire

Utilisé pour connecter des accessoires audio compatibles.

Étiquette du modèle

Indique le modèle de la radio.

Microphone

Parlez clairement dans le microphone lors de l'envoi d'un message.

Antenne

Dans le cas des modèles **EDR4100** et **EDR4103**, il y a deux antennes amovibles.

Le modèle RDV5100 comprend une antenne VHF amovible.

Voyant lumineux

Utilisé pour indiquer l'état de la batterie, de mise sous tension et de balayage, et pour donner de l'information relative aux appels radio.

BOUTONS LATÉRAUX

Bouton d'émission (PTT)

- Maintenez ce bouton enfoncé pour parler et relâchez-le pour écouter.

Bouton latéral 1 (SB1)

- Le bouton latéral 1 est un bouton général qui peut être configuré à partir du logiciel de programmation client (CPS). Le paramètre par défaut du SB1 est réglé à « Contrôle ».

Bouton latéral 2 (SB2)

- Le bouton latéral 2 est un bouton général qui peut être configuré par le CPS. Le paramètre par défaut du bouton SB2 est Balayage/Suppression d'un canal nuisible.

Batterie au lithium-ion (Li-Ion)

La radio de série RDX est livrée avec une batterie au lithium-ion de capacité standard. D'autres batteries peuvent être disponibles. Pour plus d'informations, reportez-vous à la section «Caractéristiques de la batterie» à la page 18.

MODÈLES RDX SANS AFFICHAGE

Ce guide de l'utilisateur couvre plusieurs modèles de la série RDX et peut décrire certaines fonctionnalités dont ne dispose pas votre radio. Le modèle de la radio est indiqué au bas de la radio et fournit les informations suivantes :

Tableau 1 : Spécifications de la radio de série RDX

Modèle	Bande de fréquences	Puissance de transmission (watts)	Nombre de canaux	Antenne
RDU4100	UHF	4	10	Amovible
RDU4103	UHF	4	10	Amovible
RDU5100	VHF	5	10	Amovible

CARACTÉRISTIQUES DE LA BATTERIE

Les radios de série RDX sont offertes avec des batteries au lithium-ion de différentes capacités qui définissent la durée de vie de la batterie.

À propos de la batterie lithium-ion

La radio de série RDX est équipée d'une batterie au lithium-ion rechargeable. Cette batterie doit être entièrement chargée avant la première utilisation pour assurer une capacité et une performance optimales.

L'autonomie de la batterie dépend de plusieurs facteurs. Parmi les plus importants, on retrouve la surcharge régulière des batteries et le niveau de perte de charge associé à chaque cycle. Généralement, un état de surcharge fréquent et un niveau de perte de charge important entraînent une diminution du nombre de cycles de la batterie. Par exemple, une batterie surchargée et déchargée à 100 % plusieurs fois par jour offrira moins de cycles de vie qu'une batterie moins surchargée et dont le niveau de perte de charge est de 50 % par jour. En outre, une batterie dont l'état de surcharge est minimal et dont le niveau de perte de charge moyen est de 25 % durera plus longtemps.

Les batteries Motorola Solutions sont conçues spécifiquement pour être utilisées avec un chargeur Motorola Solutions et inversement. La charge de la batterie au moyen d'un chargeur non-Motorola Solutions peut endommager la batterie et annuler sa garantie. La température de la batterie doit être d'environ 25 °C (77 °F) chaque fois que c'est possible. La charge de la batterie froide (moins de 10 °C [50 °F]) peut entraîner une fuite d'électrolytes et, éventuellement, la défaillance de la batterie. La charge d'une batterie chaude (plus de 35 °C [95 °F]) réduit la capacité de permet de charge, ce qui affecte la performance de la radio. Les chargeurs rapides de Motorola Solutions contiennent un circuit de détection de la chaleur pour s'assurer que la température des batteries en cours de charge respecte les seuils de température indiqués ci-dessus.

Recyclage et mise au rebut des batteries

Les batteries au lithium-ion peuvent être recyclées. Cependant, on ne retrouve pas des installations de recyclage appropriées dans toutes les régions. En vertu de différentes lois d'États américains et des lois de plusieurs autres pays, les batteries doivent être recyclées et ne peuvent pas être mises au rebut dans les sites d'enfouissement ou les incinérateurs.

Communiquez avec votre agence de gestion de l'élimination des déchets obtenir des renseignements et connaître les exigences applicables dans votre région. Motorola Solutions soutient pleinement et encourage le recyclage des batteries au lithium-ion.

Aux États-Unis et au Canada, Motorola Solutions participe au programme national Rechargeable Battery Recycling Corporation (Société de recyclage des piles rechargeables) qui a comme objectif la collecte et le recyclage des batteries au lithium-ion.

De nombreux détaillants participent à ce programme. Pour connaître l'emplacement du dépôt le plus proche, consultez le site Web de la RBRC à l'adresse suivante :

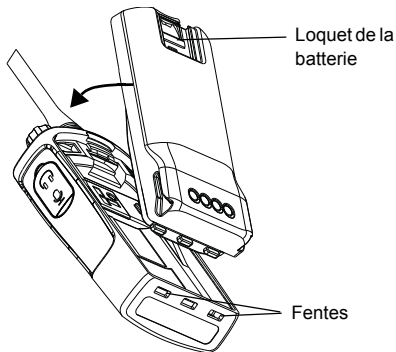
<http://www.call2recycle.org>

Ou encore, composez le :

877 723-1297

Ce site Internet et ce numéro de téléphone donnent accès à des informations utiles sur les possibilités de recyclage qui s'offrent aux consommateurs, aux entreprises et aux agences gouvernementales.

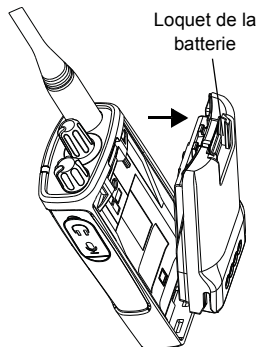
Installation de la batterie au lithium-ion (Li-Ion)



1. Éteignez la radio.
2. Le logo Motorola Solutions sur la batterie étant tourné vers le haut, insérez les languettes au bas de la batterie dans les fentes au bas du corps de la radio.
3. Appuyez sur la partie supérieure de la batterie en direction de la radio jusqu'à ce que vous entendiez un clic.

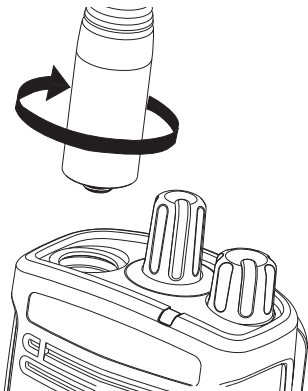
Remarque : Pour en savoir plus sur les caractéristiques liées à la durée de vie de la batterie au lithium-ion, reportez-vous à la section «À propos de la batterie lithium-ion» à la page 18

Retrait de la batterie au lithium-ion (Li-Ion)



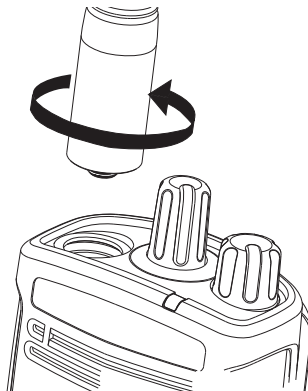
1. Éteignez la radio.
2. Poussez le loquet de la batterie vers le bas et maintenez-le pendant que vous enlevez la batterie.
3. Retirez la batterie de la radio.

Installation de l'antenne



1. Alignez l'extrémité filetée de l'antenne de la radio au connecteur d'antenne.
2. Tournez l'antenne dans le sens horaire pour la fixer.

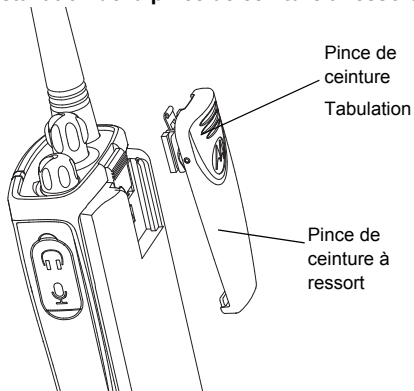
Retrait de l'antenne



1. Tournez l'antenne dans le sens antihoraire jusqu'à ce que vous puissiez la retirer.

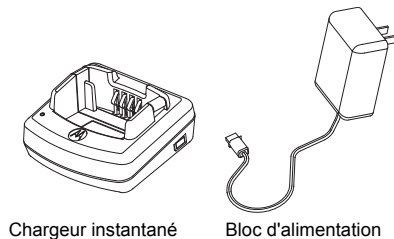
Remarque : Ces directives s'appliquent **UNIQUEMENT** aux modèles RDU4100 et RDV5100. Ne tentez pas de retirer l'antenne si votre radio n'est pas un de ces modèles.

Installation de la pince de ceinture à ressort.



1. Faites glisser les rails de la pince de ceinture à ressort dans les rainures à l'arrière de la batterie et faites-la glisser vers le bas jusqu'à ce que la languette de la pince de ceinture s'enclenche.
2. Pour la retirer, tirez la languette de dégagement en métal sur la pince de ceinture et faites glisser la pince à ressort vers le haut pour la retirer.

Bloc d'alimentation, adaptateur et chargeur instantané



La radio est équipée d'un chargeur instantané et d'un bloc d'alimentation avec adaptateur. Pour obtenir plus d'information, reportez-vous à la section «Chargeurs» à la page 91.

Information sur l'autonomie de la batterie

Lorsque la fonction Économie de la batterie est activée (réglage par défaut), l'autonomie de la batterie est prolongée. Le tableau suivant indique les durées de charge estimées des batteries.

Tableau 2 : Durée de vie de la batterie au lithium-ion avec la fonction d'économiseur de batterie activée

Type de batterie	5 watts	4 watts
Haute capacité	15 heures	15 heures

Remarque : L'estimation de l'autonomie de la batterie est fondée sur un cycle de vie réparti de cette façon : transmission, 5 %; réception, 5 %; mode veille, 90 %.

Charge de la batterie

La radio de série RDX offre deux types de chargeurs :

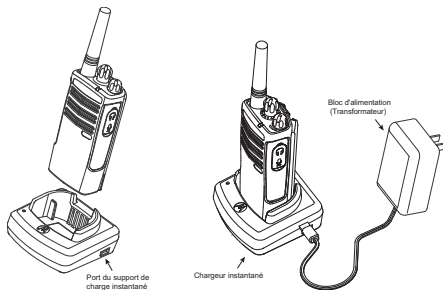
- Le chargeur standard et
- le chargeur rapide

Remarque : La radio est fournie avec un bloc d'alimentation standard

Pour charger la batterie (alors qu'elle est insérée dans la radio), placez-la dans un chargeur instantané pour appareil unique ou un chargeur instantané multi-unités approuvé par Motorola Solutions.

Remarque : Lorsque vous vous procurez des chargeurs ou des blocs d'alimentation supplémentaires, assurez-vous d'avoir des ensembles de chargeurs instantanés et de blocs d'alimentation semblables (tous « rapides » ou tous « standards »). Pour obtenir de plus amples détails au sujet des numéros de pièce, reportez-vous à la section « Chargeurs » à la page 91.

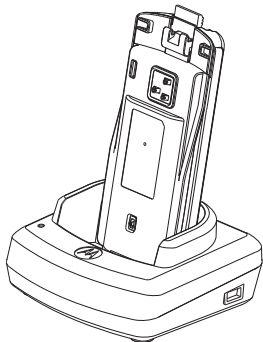
Charge de la batterie avec le support de charge pour unité simple DLR (SUC)



1. Déposez le chargeur instantané sur une surface plane.
2. Insérez le connecteur du bloc d'alimentation dans le port arrière du chargeur instantané.
3. Branchez l'adaptateur c.a. dans une prise murale.
4. Insérez la radio dans le support de charge pour unité simple avec la radio faisant face à l'avant, comme illustré.

Remarque : Lorsque vous chargez une batterie insérée dans la radio, éteignez la radio afin d'assurer une charge complète. Pour obtenir plus de renseignements à ce sujet, consultez la section « Directives d'utilisation sécuritaire » à la page 13.

Charge d'une batterie autonome



Pour charger uniquement la batterie : à l'étape 4 à la page 24, insérez la batterie dans le chargeur avec la surface intérieure de la batterie faisant face à l'avant du support de charge pour unité simple, comme illustré. Alignez les fentes de la batterie avec les rainures d'alignement dans le support de charge pour unité simple.

Remarque : Assurez-vous que le support dans le chargeur est ajusté à la bonne position pour une batterie de capacité standard ou élevée. Consultez la section « Charge d'une batterie standard » à la droite.

Voyants DEL du chargeur instantané

Tableau 3 : Voyant DEL du chargeur standard

État	Voyant lumineux	Commentaires
Mise sous tension	Voyant rouge continu pendant trois secondes	Mise sous tension
Charge en cours	Clignotement rouge (lent)	Le chargeur est en cours de chargement
Charge complète	Voyant rouge continu	La batterie est entièrement chargée
Batterie défectueuse (*)	Clignotement rouge (rapide)	La batterie était défectueuse lorsqu'elle a été insérée

(*) Repositionner la batterie suffira normalement à corriger ce problème.

Tableau 4 : Voyant du chargeur rapide

État	Voyant lumineux	Commentaires
Mise sous tension	Voyant vert continu pendant trois secondes	Mise sous tension
Charge en cours	Clignotement vert	Le chargeur est en cours de chargement
Compléter le chargement	Clignotement vert (lent)	Batterie presque entièrement chargée
Charge complète	Voyant vert continu	La batterie est entièrement chargée
Batterie défectueuse (*)	Clignotement rouge (rapide)	La batterie était défectueuse lorsqu'elle a été insérée
En attente de charge (**)	Voyants à deux clignotements jaunes	Les conditions de charge de la batterie ne sont pas convenables

(*) Repositionner la batterie suffira normalement à corriger ce problème.

(**) La température de la batterie est trop basse ou trop élevée ou la tension utilisée n'est pas correcte.

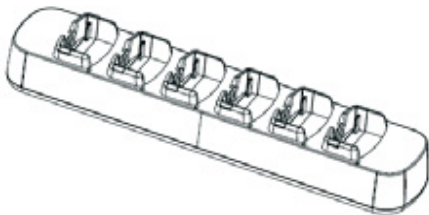
Durée de charge estimée

Le tableau suivant indique les durées de charge estimées des batteries. Pour plus d'informations, reportez-vous à la section «Accessoires audio» à la page 90.

Tableau 5 : Durée de charge estimée de la batterie

Solutions de chargement	Durée de charge estimée
	Batterie haute capacité
Solutions de chargement standard	12 heures
Solutions de chargement rapide	3 heures

Charge de la radio et de la batterie avec un chargeur multi-unités – MUC (accessoire en option)



Le chargeur multi-unités (MUC) permet de charger simultanément jusqu'à 6 radios ou batteries. Les batteries peuvent être chargées à l'intérieur ou à l'extérieur de la radio; elles peuvent en outre être placées séparément dans le MUC. Chacun des 6 compartiments de charge peut loger une radio (placée ou non dans son étui) ou une batterie, mais pas les deux à la fois.

1. Placez le chargeur multi-unités sur une surface plane.

2. Branchez le cordon d'alimentation sur le connecteur à deux broches du MUC.
3. Branchez l'autre extrémité du cordon d'alimentation dans une prise secteur.
4. Éteignez la radio.
5. Fixez le support amovible en fonction du type de batterie
6. Insérez la radio ou la batterie dans le compartiment de charge avec la radio.

Remarque :

- Ce chargeur multi-unités permet de cloner un maximum de trois radios (trois radios sources et trois radios cibles). Reportez-vous à «Clonage avec un chargeur multi-unités (MUC)» à la page 60 pour plus d'information.
- Vous trouverez plus de renseignements au sujet du fonctionnement du chargeur multi-unités dans les feuilles d'instructions fournies avec le MUC. Pour plus d'informations sur les pièces et numéros de pièce, reportez-vous au Chapitre «Accessoires» à la page 90.

Voyants du chargeur multi-unités

Tableau 6 : Voyant du chargeur MUC

État	Voyant lumineux	Commentaires
Charge en cours	Voyant rouge continu	Le chargeur est en cours de chargement
Charge complète	Voyant vert continu	La batterie est entièrement chargée
Batterie défectueuse (*)	Clignotement rouge (rapide)	La batterie était défectueuse lorsqu'elle a été insérée

(*) Repositionner la batterie suffira normalement à corriger ce problème.

POUR COMMENCER

Pour les explications suivantes, reportez-vous à «Parties de la radio» à la page 15.

MISE SOUS TENSION ET HORS TENSION DE LA RADIO

Pour allumer la radio, faites tourner le bouton Marche/Arrêt/Volume dans le sens horaire.

La radio émet une des tonalités suivantes :

- Tonalité de mise sous tension et annonce du numéro de canal, ou
- Annonces du niveau de la batterie et du numéro de canal, ou
- Silencieux (tonalités désactivées)

Le voyant clignote brièvement en rouge.

Pour éteindre la radio, faites tourner le bouton Marche/Arrêt/Volume dans le sens antihoraire jusqu'à ce que vous entendiez un clic et que le voyant de la radio s'éteigne.

RÉGLAGE DU VOLUME

Faites tourner le bouton Marche/Arrêt/Volume dans le sens horaire pour augmenter le volume ou dans le sens antihoraire pour le réduire.

Remarque : Ne placez pas la radio trop proche de votre oreille lorsque le volume est élevé ou durant le réglage du volume

SÉLECTION D'UN CANAL

Pour sélectionner un canal, tournez le bouton de sélection de canaux jusqu'au canal désiré. Une voix audible indique le canal sélectionné.

Chaque canal est doté d'une fréquence, d'un code de réduction d'interférence et de paramètres de balayage exclusifs.

CONVERSATION ET CONTRÔLE

Il est important de prendre connaissance du trafic avant d'émettre afin d'éviter de « parler par-dessus » un autre utilisateur qui émet déjà.

Pour ce faire, maintenez le bouton SB1(*) enfoncé pour accéder au trafic du canal. Si aucune activité n'est en cours, vous entendrez de la statique. Pour quitter, appuyez de nouveau sur le bouton SB1. Une fois le trafic du canal dégagé, commencez votre appel en appuyant sur le bouton PTT. Lors de la transmission, le voyant reste allumé en rouge fixe.

Remarque :

- Pour écouter toutes les activités sur un canal sélectionné, appuyez brièvement sur le bouton

SB1 pour régler le code CTCSS/DPL à 0. Cette fonction est appelée « Annulation CTCSS/DPL (réglé au mode SILENCIEUX) ».

- (*) Cela suppose que le bouton SB1 n'est pas programmé pour un autre mode.

RECEVOIR UN APPEL

1. Sélectionnez un canal en tournant le bouton sélecteur de canal jusqu'au canal désiré. Une voix audible indique le canal sélectionné.
2. Assurez-vous de relâcher le bouton PTT et écoutez la voix.
3. Le voyant reste allumé en rouge fixe lorsque la radio reçoit un appel.
4. Pour répondre, tenez la radio à la verticale, à une distance de 2,5 cm à 5 cm (de 1 po à 2 po) de vos lèvres. Appuyez sur le bouton PTT pour parler; relâchez-le pour écouter.

PORTÉE DE COMMUNICATION

PORTÉE DE COMMUNICATION		
Modèle	Industriel	Étages
	À l'intérieur des bâtiments industriels,	À l'intérieur des bâtiments à étages
UHF 4W	Jusqu'à 32 516 m ² (350 000 pi ²)	Jusqu'à 30 étages
VHF 5W	Jusqu'à 32 516 m ² (300 000 pi ²)	Jusqu'à 18 étages

Pour établir une bonne communication bidirectionnelle, le canal, la fréquence et le code de réduction de l'interférence doivent être identiques sur les deux radios. Ceci dépend du profil enregistré qui a été programmé sur la radio :

1. **Canal** : le canal actuellement utilisé par la radio, propre au modèle de radio.
2. **Fréquence** : La fréquence que la radio utilise pour la transmission et la réception.

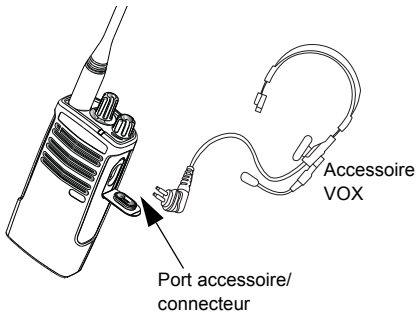
3. **Code de réduction de l'interférence** : Ces codes aident à réduire les interférences en offrant un choix de combinaisons de code.
4. **Code de brouillage** : Des codes qui permettent de brouiller les transmissions afin que toute personne qui n'est pas définie sur ce code ne puisse pas écouter.
5. **Bande passante** : Certaines fréquences comportent un espacement des canaux programmable qui doit correspondre à celui des autres radios pour assurer une qualité sonore optimale (applicable uniquement au modèle RDU4103).

Pour obtenir de plus amples détails sur la façon de configurer des fréquences et des codes CTCSS/DPL sur les canaux, reportez-vous à la section «Mode de configuration avancée» à la page 39.

VOYANTS DE LA RADIO

ÉTAT DE LA RADIO	VOYANT
Canal occupé	Allumé en orangé et en continu
Mode de clonage	Deux pulsations orange
Clonage en cours	Orange fixe
Erreur fatale à la mise sous tension	Un clignotement vert, un clignotement orange, un clignotement vert, puis répétition pendant 4 secondes
Batterie faible	Pulsation orange
Mise hors tension de batterie faible	Pulsation orange rapide
Surveillance	Voyant éteint
Mise sous tension	Rouge fixe pendant 2 secondes
Mode de programmation « inactif »/Mode de canal	Pulsation verte
Mode balayage	Rouge, pulsation rapide
Transmission (TX)/réception (RX)	Rouge fixe
Sélection de transmission sous alimentation faible	Orange fixe
Mode VOX/iVOX	Deux pulsations rouges

UTILISATION EN MAINS LIBRES/VOX



Les radios Motorola Solutions RDX Series™ peuvent fonctionner en mains libres (VOX) lorsqu'elles sont utilisées avec des accessoires VOX compatibles.

Avec accessoires VOX compatibles

Le paramètre par défaut pour le niveau de sensibilité VOX est désactivé (niveau « 0 »). Avant d'utiliser la fonction VOX, réglez le niveau VOX à un niveau autre que « 0 » depuis le logiciel de programmation client (CPS). Procédez ensuite aux étapes suivantes :

1. Éteignez la radio.
2. Ouvrez le couvercle d'accessoire.

3. Insérez fermement la fiche de l'accessoire audio dans le port d'accessoire.
4. Allumez la radio. Le voyant clignote deux fois en rouge.
5. Réduisez le volume de la radio AVANT de placer l'accessoire près de l'oreille.
6. Pour transmettre, parlez dans le microphone de l'accessoire et pour recevoir, arrêtez de parler.
7. La fonction VOX peut être temporairement désactivée en appuyant sur le bouton PTT ou en retirant l'accessoire audio.

La fonction VOX peut également être activée à l'aide du bouton (Menu) sans utiliser le CPS.

Remarque : Pour commander des accessoires, reportez-vous au :
www.motorolasolutions.com/RDX,
appelez le **1 800 461-6686** ou communiquez avec votre point de vente Motorola Solutions.

Mains libres sans accessoire (iVOX)

- Activez iVOX en appuyant sur le bouton PTT pendant la mise sous tension de la radio.
- Appuyez brièvement sur le bouton PTT pour réactiver la fonction iVOX.
- Un bref délai s'écoule entre le moment où vous commencez à parler et le moment où la radio transmet.

RÉGLAGE DE LA SENSIBILITÉ VOX/IVOX

La sensibilité de l'accessoire ou du microphone de la radio peut être ajustée pour répondre à différents environnements de fonctionnement. La sensibilité VOX peut être programmée depuis le CPS.

La valeur par défaut est DÉSACTIVÉ. Si vous désirez utiliser la fonction VOX, le niveau VOX doit être réglé à une valeur différente.

- 1 = niveau d'entrée audio élevé qui déclenchera la transmission
- 2 = sensibilité moyenne
- 3 = niveau d'entrée audio faible qui déclenchera la transmission

ACTIVATION DU MESSAGE VOCAL EN MODE UTILISATEUR

Appuyez brièvement sur le bouton SB1 lorsque vous allumez la radio pour activer ou désactiver le message vocal en mode utilisateur. (Le paramètre par défaut est réglé à ACTIVÉ.)

MODE DE TONALITÉ DE MISE SOUS TENSION

Pour activer ou désactiver le mode de tonalité de mise sous tension, appuyez simultanément sur les boutons SB1 et SB2 pendant deux ou trois secondes lorsque vous allumez la radio, jusqu'à ce que vous entendiez la tonalité programmée. Trois différentes tonalités de mise sous tension sont disponibles.

RÉINITIALISATION DES PARAMÈTRES PAR DÉFAUT

La réinitialisation des paramètres par défaut rétablira toutes les fonctions de la radio aux réglages par défaut établis en usine. Pour ce faire, appuyez simultanément sur les boutons PTT, SB2 et SB1 lorsque vous allumez la radio, jusqu'à ce que vous entendiez une tonalité aiguë.

GAIN DU MICROPHONE

La sensibilité du microphone peut être adaptée à différents utilisateurs ou environnements de fonctionnement.

Cette fonction peut être réglée uniquement à partir du CPS. Le réglage par défaut du microphone est réglé au niveau 2 (gain moyen).

REMARQUES

FONCTIONS DE PROGRAMMATION

Pour programmer facilement toutes les fonctions de votre radio, il est recommandé d'utiliser le logiciel de programmation client (CPS) et le câble de programmation.

Le logiciel du CPS peut être téléchargé gratuitement à l'adresse www.motorolasolutions.com/RDX.

MODE DE CONFIGURATION AVANCÉE

La configuration avancée est un mode de configuration qui permet la personnalisation de fonctions supplémentaires à partir du panneau avant de la radio.

Pour les modèles de radios sans affichage, la navigation est guidée par des messages vocaux audibles.

Lorsque la radio est réglée en mode de configuration avancée, vous êtes en mesure de lire et modifier quatre fonctions :

- la sélection de la fréquence,
- les codes (CTCSS/DPL),
- le balayage automatique,

- les canaux actifs, et
- l'activation, la désactivation et la programmation du canal météo.

La fonction de **sélection de fréquences** vous permet de choisir des fréquences dans une liste prédéfinie.

Le **code de réduction de l'interférence** (CTCSS/DPL) vous aide à réduire les interférences avec un choix de combinaisons de codes qui filtrent la statique, le bruit et les messages non souhaités.

La fonction de **balayage automatique** vous permet de définir un canal spécifique pour activer automatiquement le balayage chaque fois que vous activez ce canal.

La fonction de **canaux actifs** permet d'augmenter ou réduire la quantité de canaux actifs (dans la plage du nombre maximal de canaux permis).

La fonction de **programmation de la météo** vous permet de faire alterner la fonction de sélection de canal entre le canal de la radio bidirectionnelle et le canal météo. Sept fréquences de réception sont disponibles pour cette fonction.

Accès au mode de configuration avancée

Remarque : Avant de configurer les fonctions, assurez-vous que votre radio est réglée

au canal que vous souhaitez programmer. Vous pouvez le faire avant de passer en mode de configuration avancée ou à tout moment au cours du mode de configuration avancée en tournant le bouton sélecteur de canal jusqu'à ce que vous atteigniez le canal désiré.

Pour lire ou modifier des fréquences, des codes, le balayage automatique, les canaux actifs et le canal météo, mettez la radio en mode de configuration avancée en maintenant enfoncés les boutons PTT et SB1 simultanément pendant 3 à 5 secondes tout en allumant la radio, jusqu'à ce que vous entendiez une voix audible indiquant « Mode de programmation » et « Numéro de canal ». Le voyant commence à émettre une pulsation verte.

Remarque :

- Le mode de programmation « inactif » est l'étape où la radio attend que l'utilisateur commence le cycle de programmation.

Une fois en mode de programmation « inactif », vous serez en mesure d'entendre les paramètres de fréquences, de codes, de balayage automatique, de canaux actifs et du canal météo en appuyant

brèvement sur le bouton PTT pour naviguer dans les différentes fonctions programmables.

ENTRÉE DE VALEURS DE FRÉQUENCES

Le modèle RDU4100 comprend 89 fréquences, 27 fréquences pour RDV5100 et 2 pour RDU4103.

1. En mode de programmation « inactif », le numéro de canal devient la première valeur modifiable. Sélectionnez le canal désiré en utilisant le bouton sélecteur de canal. Une voix audible indique le canal sélectionné pour configuration. Appuyer brièvement sur le bouton PTT permet de naviguer dans les autres fonctions disponibles pour la configuration. Utilisez les boutons SB1 et SB2 pour modifier les valeurs. Une voix audible indique la valeur sélectionnée.

LECTURE DES VALEURS CTCSS/DPL

Naviguez parmi les fonctions disponibles pour la configuration en appuyant brièvement sur le bouton PTT, jusqu'à ce que vous entendiez le code actuel. La radio passe en mode de programmation des codes CTCSS/PL.

Entrez une nouvelle valeur de code à l'aide des boutons SB1 et SB2.

Les radios de série RDX comprennent jusqu'à 219 codes disponibles. Pour en savoir plus, consultez la section « Graphiques des fréquences et des codes » à la page 64.

LECTURE DES VALEURS DE ALAYAGE AUTOMATIQUE

Après avoir entendu les codes CTCSS/DPL, appuyez brièvement sur le bouton PTT pour passer au mode de balayage automatique.

Le balayage automatique comprend seulement deux valeurs :

- Activé
- Désactivé

CANAUX ACTIFS

En mode balayage automatique, appuyer brièvement sur le bouton PTT permet de passer à la fonction Canaux actifs.

Modifiez la quantité de canaux disponibles en utilisant les boutons SB1 et SB2.

PROGRAMMATION DU CANAL MÉTÉO

(NON APPLICABLE AU MODÈLE EDR4103)

Après avoir défini la quantité de canaux actifs, appuyez brièvement sur le bouton PTT pour passer à la fonction du canal météo.

Utilisez les boutons SB1 et SB2 pour activer/désactiver la fonction.

ENREGISTREMENT DES PARAMÈTRES

Lorsque vous êtes satisfait des réglages, vous pouvez soit :

- appuyer brièvement sur le bouton PTT pour continuer la programmation,
- maintenir le bouton PTT enfoncé pour enregistrer et revenir au mode de programmation « inactif » ou
- appuyer deux fois longuement sur le bouton PTT pour quitter le mode.

FAQ DU MODE DE PROGRAMMATION

2. J'ai été distrait pendant la programmation et j'ai oublié quelle fonction je programmais. Que dois-je faire?

Revenez au mode de programmation « inactif » et recommencez. Vous ne serez pas en mesure de revenir au mode de programmation (la radio n'offre pas d'autre moyen de vous permettre de connaître l'étape spécifique dans laquelle vous êtes dans le mode de programmation).

Par conséquent, vous pouvez :

- Appuyer longuement sur le bouton PTT. La radio reviendra au mode de programmation « inactif », ou
 - Éteindre la radio et entrer de nouveau en mode de programmation. (Reportez-vous à la «Accès au mode de configuration avancée» à la page 39 pour plus d'information)
3. J'essaie de programmer une valeur de fréquence (ou de code), mais la radio ne me laisse pas le faire. Elle est revenue à la valeur 0.

La radio ne vous permet pas de programmer une valeur qui n'est pas disponible dans le groupe de fréquences et de codes. Par exemple, si vous

essayez de programmer le code 220, la radio ne peut l'accepter parce que la valeur maximale permise est 219. Il en va de même pour les fréquences. Reportez-vous à la section «Graphiques des fréquences et des codes» à la page 74 pour vous assurer que vous programmez une valeur valide.

4. Je tente d'entrer en mode de programmation, mais que la radio ne me permet pas de le faire.

La radio est peut-être verrouillée au moyen du CPS pour refuser la programmation du panneau avant. Pour l'activer de nouveau, utilisez le CPS.

5. J'ai programmé la mauvaise valeur quand je programmais. Comment puis-je effacer ou reprogrammer la valeur?

Si vous avez programmé la mauvaise valeur, vous pouvez soit :

- Réinitialiser la radio. La radio revient au début chaque fois que vous atteignez la valeur maximale autorisée. Continuer à augmenter (en appuyant brièvement sur le bouton SB1) ou à réduire (en appuyant brièvement sur le bouton SB2) la valeur jusqu'à ce que vous obteniez la valeur souhaitée ou,
- Éteindre la radio et recommencer.

6. Je viens juste de programmer la valeur souhaitée. Comment puis-je quitter le mode de programmation?

Vous pouvez soit :

- Appuyer longuement sur le bouton PTT deux fois pour quitter si vous êtes en mode de programmation ou,
 - Appuyez longuement sur le bouton PTT une fois si vous êtes déjà en mode de programmation « inactif ».
7. J'ai terminé la programmation des fonctions de ce canal. Comment puis-je programmer un autre canal?

Appuyez brièvement sur le bouton PTT plusieurs fois jusqu'à ce que vous entendiez « numéro de canal ». Changez de canal en utilisant le bouton sélecteur de canal. Si vous souhaitez enregistrer les modifications, assurez-vous que vous êtes en mode de programmation « inactif » avant de changer le canal, sinon vous perdrez les modifications apportées.

EXEMPLES DE VALEURS DE PROGRAMMATION

Exemple de programmation d'une fréquence

En supposant que la valeur de fréquence actuelle est réglée sur le canal 1, avec la fréquence UHF par défaut réglée à « 02 » (équivalent à 464,5500 MHz), si vous désirez changer pour le numéro de fréquence = « 13 » (qui correspond à 461,1375 MHz), suivre cette séquence :

1. Entrez en mode de configuration avancée.
2. Appuyez brièvement sur le bouton PTT pour entrer en mode fréquence. La voix audible de la radio annonce que la valeur actuelle est « 2 ».
3. Appuyez sur le bouton SB1 onze fois pour augmenter la fréquence et vous entendrez le numéro de fréquence « un, trois » (13).
4. Appuyer longuement sur le bouton PTT. Le voyant DEL affiche une pulsation verte indiquant l'état En veille du mode de programmation.
5. Appuyez de nouveau longuement sur le bouton

PTT pour quitter le mode de programmation ou éteindre la radio.

Exemple de programmation d'un code

En supposant que la valeur de code actuelle est réglé à la valeur par défaut « 001 » et que vous désirez la changer pour le code CTCSS/DPL = 103. Suivez la séquence ci-dessous :

1. Entrez en mode de configuration avancée.
2. Appuyez brièvement deux fois sur le bouton PTT. La voix audible de la radio annonce « Numéro de code » (entrant en mode de sélection de la programmation CTCSS/DPL).
3. Maintenir enfoncé le bouton SB1 ou SB2 avance/recule la valeur à la dizaine la plus près. Lorsque vous relâchez le bouton, la voix audible de la radio annonce le premier, le deuxième et le troisième chiffres en entier. Continuez à appuyer sur le bouton SB1 ou bouton SB2 plusieurs fois jusqu'à ce que vous entendiez « 103 ».
4. Appuyer longuement sur le bouton PTT. Le voyant DEL affiche une pulsation verte

indiquant l'état En veille du mode de programmation.

5. Appuyez de nouveau longuement sur le bouton PTT pour quitter le mode de programmation ou éteindre la radio.

Exemple de programmation du balayage automatique

Le balayage automatique est la troisième fonction disponible dans le mode de programmation et peut être réglé à ACTIVÉ ou DÉSACTIVÉ sur un canal particulier.

Pour activer le balayage automatique :

1. Entrez en mode de configuration avancée et sélectionnez le canal de votre choix.
2. Appuyez brièvement sur le bouton PTT trois fois pour activer le mode de sélection de programmation des canaux actifs. La voix audible dans la radio annonce « Balayage automatique » et le paramètre (activé ou désactivé).
3. Pour changer le paramètre, appuyez sur le bouton SB1 ou SB2.
4. Appuyer longuement sur le bouton PTT. Le

voyant DEL affiche une pulsation verte indiquant l'état En veille du mode de programmation.

- Appuyez de nouveau longuement sur le bouton PTT pour quitter le mode de programmation ou éteindre la radio.

Exemple de programmation des canaux actifs

Les canaux actifs constituent le quatrième* mode de programmation. Il vous permet de modifier le nombre de canaux actifs que la radio est programmée pour prendre en charge.

Pour configurer les canaux actifs :

- Entrez en mode de configuration avancée et sélectionnez le canal de votre choix.
- Appuyez brièvement sur le bouton PTT quatre fois pour activer le mode de programmation des canaux actifs. La voix audible de la radio annonce « Canaux actifs » ainsi que la valeur actuelle.
- Appuyez brièvement sur le bouton SB1 ou SB2 jusqu'à ce que vous obteniez le nombre de canaux souhaité.

- Appuyer longuement sur le bouton PTT. Le voyant DEL affiche une pulsation verte indiquant l'état En veille du mode de programmation.
- Appuyez longuement sur le bouton PTT pour quitter le mode de programmation ou éteindre la radio.

Remarque : Pour le modèle RDU4103, il s'agit du cinquième menu

Exemple de programmation des canaux de météo (non valide pour le modèle RMU4103)

Les canaux de météo constituent le dernier mode de programmation. Ce mode vous permet de faire alterner la fonction du canal entre le mode radio bidirectionnelle et le mode d'alerte météo.

Pour définir les canaux au mode d'alerte météo :

- Entrez en mode de configuration avancée et sélectionnez le canal de votre choix.
- Appuyez brièvement sur le bouton PTT cinq fois pour activer le mode de programmation des canaux de météo.

3. Une voix audible annonce « Canal météo et fréquence utilisés » et donne des instructions sur la manière de modifier les valeurs. Reportez-vous au « Tableau des fréquences de canal météo » à la page 48 pour le tableau des fréquences.
4. Appuyez brièvement sur le bouton SB1 ou SB2 pour activer/désactiver la fonction.
5. Appuyer longuement sur le bouton PTT. Le voyant DEL affiche une pulsation verte indiquant l'état En veille du mode de programmation.
6. Appuyez de nouveau longuement sur le bouton PTT pour quitter le mode de programmation ou éteindre la radio.

AUTRES FONCTIONS DE PROGRAMMATION

Balayage

Le balayage vous permet de surveiller d'autres canaux pour détecter des conversations. Lorsque la radio détecte une transmission, elle arrête le balayage et reste sur le canal actif. Ceci vous permet d'écouter et de parler à des personnes sur ce canal sans devoir le changer manuellement. Si des transmissions sont actives sur un autre canal, vous n'entendez pas l'activité lorsque la radio aura cessé le balayage. Une fois l'activité sur le canal de transmission arrêtée, la radio attend 5 secondes avant de reprendre le balayage.

- Pour commencer le balayage, appuyez sur le bouton SB1 ou SB2.

Remarques : Le balayage doit être programmé sur le bouton SB1 ou SB2 à partir du CPS. Le paramètre par défaut du bouton SB2 est Balayage/ Suppression d'un canal nuisible.

- Pour arrêter le balayage, appuyez brièvement de nouveau sur le bouton SB1 ou SB2 (programmée pour le balayage).

- Si vous appuyez sur le bouton PTT pendant que la radio effectue le balayage, celle-ci transmettra sur le canal qui a été sélectionné avant l'activation du balayage. Si aucune transmission ne se produit dans les cinq secondes, le balayage reprend.
- Si vous voulez balayer un canal sans les codes de réduction d'interférence (CTCSS/DPL), réglez les paramètres du code pour les canaux à « 0 » dans le mode de sélection de programmation CTCSS/DPL.

Remarques : Chaque fois que la radio est réglée au mode de balayage, le voyant DEL clignote en pulsation rouge.

Modification de la liste de balayage

La liste de balayage peut être modifiée à l'aide du CPS. Pour plus d'information, reportez-vous à la section «Logiciel de programmation client (CPS)» à la page 48.

Suppression d'un canal nuisible

La suppression d'un canal nuisible vous permet de supprimer temporairement des canaux de la liste de balayage. Cette fonction est utile lorsque des conversations non pertinentes sur un canal

« nuisible » bloquent la fonction de balayage de la radio.

Pour supprimer un canal de la liste de balayage :

- Démarrez le mode balayage en appuyant brièvement sur le bouton SB1 ou SB2 (programmé pour le balayage).
- Attendez que la radio s'arrête au canal que vous voulez supprimer. Appuyez longuement sur le bouton SB2 pour le supprimer. Le canal ne peut être supprimé lorsque le balayage est activé (canal d'accueil).
- Le canal ne sera plus balayé jusqu'à ce que vous quittiez le mode de balayage en appuyant brièvement de nouveau sur le bouton SB1 ou SB2 (programmé pour le balayage) ou en éteignant et en rallumant la radio.

LOGICIEL DE PROGRAMMATION CLIENT (CPS)

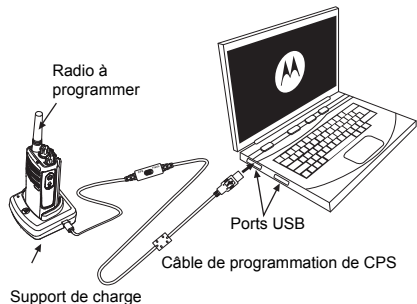


Figure 1: Configuration de la radio à partir du logiciel CPS

Le moyen le plus simple de programmer ou modifier les fonctions de votre radio est d'utiliser le logiciel de programmation client (CPS) et le câble de programmation CPS(*).

Le logiciel CPS peut être téléchargé en ligne gratuitement, à partir de :

www.motorolasolutions.com/RDX

Pour programmer la radio de série RM, branchez-la à l'aide du chargeur instantané et du câble de programmation du CPS, comme indiqué à la **Figure 1 à la page 48**. Faites basculer l'interrupteur du câble de programmation CPS au « **Mode CPS** ».

Le CPS vous permet de programmer des fréquences, des codes PL/DPL ainsi que d'autres fonctions telles que : la sélection de la bande passante, le temporisateur, la sélection de la puissance, la liste de balayage, les tonalités d'appel, le brouillage, la rafale en arrière, etc. Le CPS est un outil très utile, car il permet également de verrouiller le panneau avant de programmation de la radio ou de restreindre toute fonction spécifique à modifier (pour éviter l'effacement accidentel des valeurs programmées). Il fournit également une sécurité en offrant l'option de configurer un mot de passe pour la gestion du profil de la radio. Pour plus d'informations, reportez-vous à la section Tableau récapitulatif des fonctions à la fin du guide de l'utilisateur.

Remarque : (*) Le câble de programmation CPS : HKKN4027_ est un accessoire vendu séparément. Veuillez communiquer avec votre point de vente Motorola Solutions pour en savoir plus.

Minuterie de délai d'attente

Ce temporisateur détermine le temps de transmission continue de la radio avant qu'elle cesse automatiquement. Le réglage par défaut est de 60 secondes et peut être modifié à partir du CPS.

Sélection de l'alimentation

La sélection de l'alimentation vous permet de choisir entre la haute et la basse puissance de transmission par fréquence pour chaque canal. Les niveaux de puissance pour les radios RDX haute puissance sont 2/4 W pour UHF et 2/5 W pour VHF.

Tonalités d'appel

Les tonalités d'appel vous permettent de transmettre une tonalité audible à d'autres radios sur le même canal pour les prévenir que vous êtes sur le point de parler ou pour les avertir sans parler.

Pour utiliser cette fonction, les tonalités d'appel doivent avoir été programmées sur le bouton SB1 ou SB2, et une des trois tonalités préenregistrées doit être sélectionnée.

Brouillage

La fonction de brouillage permet de brouiller les transmissions afin que toute personne qui n'est pas définie sur ce code ne puisse pas écouter. La valeur

par défaut du brouillage est DÉACTIVÉ. Pour changer le code brouillage pendant le fonctionnement normal de la radio, la fonction de brouillage doit être programmée sur le bouton SB1 ou SB2.

Rafale en arrière

La rafale en arrière élimine les bruits indésirables (signal de silence résiduel) en cas de perte de détection de porteuse. Vous pouvez sélectionner des valeurs de 180 ou de 240 pour être compatible avec d'autres radios. La valeur par défaut est 180.

Remarques :

- Les fonctions décrites dans les pages précédentes ne sont que quelques-unes des fonctions qu'offre le CPS. Le CPS offre plus de possibilités. Pour obtenir de plus amples renseignements, consultez le fichier AIDE du CPS.
- Certaines des fonctions offertes avec le logiciel CPS peuvent varier selon le modèle de radio.

TEXTE-PAROLE (MODIFICATION DES ALIAS VOCAUX PRÉDÉFINIS)

Case à cocher Activation des messages vocaux prédéfinis par l'utilisateur

Cochez cette case pour activer la voix définie par l'utilisateur sur le canal sélectionné. L'utilisateur aura la possibilité soit d'utiliser le synthétiseur texte-parole afin de générer la voix automatisée, soit d'importer un fichier .wav contenant les données vocales.

Messages vocaux prédéfinis par l'utilisateur

Ce champ est utilisé par le synthétiseur texte-parole intégré au CPS pour générer des messages vocaux définis par l'utilisateur pour le canal sélectionné.

Remarque :

- La longueur de la chaîne ne peut pas dépasser 18 caractères.
- La chaîne ne peut contenir que des caractères ISO-8859-1.

Importer un fichier vocal

Ce champ permet à l'utilisateur de charger un fichier .wav préexistant à partir du disque dur local. Les huit premiers caractères du fichier .wav sont utilisés pour remplir le champ Nom du canal.

Remarque :

- Le fichier .wav doit être échantillonné à 8 kHz.
- Le fichier .wav ne doit pas dépasser 65 000 Ko de longueur.

Écoute des messages vocaux définis par l'utilisateur

Ce champ permet à l'utilisateur d'écouter le signal vocal généré à partir du synthétiseur texte-parole.

FONCTION MÉTÉO (NON APPLICABLE AU MODÈLE RDU4103)

La radio RDX peut être programmée pour utiliser et recevoir les canaux de météo qui sont diffusés par la National Weather Radio (NWR – États-Unis). Le système de la National Weather Radio est un réseau national de stations de radio (plus de 1000 stations aux États-Unis) qui diffusent en continu des informations météo pour le public. La NWR diffuse tous les types d'avertissements, de veilles et de prévisions météorologiques, ainsi que d'autres informations sur les risques. La NWR peut également diffuser des alertes qui ne sont pas relatives à la météo, comme des alertes de sécurité nationale, de catastrophes naturelles, environnementales et de sécurité publique, conjointement avec le système d'alerte d'urgence américain (EAS).

La fonction météo de la radio RDX peut détecter les avertissements et les alertes météo diffusés par la NWR. La radio RDX peut être programmée pour détecter la tonalité analogique ou le protocole numérique sur audio. La tonalité analogique est une tonalité de 1050 Hz (tonalité d'alarme d'avertissement) qui est diffusée pendant 10 secondes immédiatement avant le message d'avertissement par le transmetteur de la NWR. Lorsque la radio RDX détecte la tonalité d'alarme

d'avertissement, l'audio est réactivé et permet à l'utilisateur d'entendre le message d'alerte météo. Comme pour le protocole numérique sur audio, il s'agit d'une technologie plus récente appelée « messages de secteur spécifique codé » (MSSC, en anglais Specific Area Message Encoding – SAME), qui permet aux stations de radio météorologiques de recevoir des flux de données numériques à propos du type de phénomène météorologique, du moment où il doit se produire, de sa durée et de la zone touchée. Lorsque la radio RDX détecte ces avertissements spéciaux, celle-ci peut être programmée pour générer automatiquement une tonalité forte, activer le voyant DEL et afficher un état d'alerte à l'écran. Grâce à la technologie SAME, le mode météo de la radio RDX peut être programmé pour détecter le type d'avertissement ou de veille météo pour une ou plusieurs régions données.

Des informations supplémentaires relatives au système National Weather Radio, telles que des mises à jour du réseau, des cartes de couverture de l'émetteur et des codes d'événement SAME peuvent être trouvées sur Internet à l'adresse www.nws.noaa.gov/nwr/.

Mode d'alerte météo

Sélectionnez le mode d'alerte dans lequel la radio répondra aux alertes envoyées par le National Weather Service, qui sont transmises avant la diffusion de tout message concernant un événement menaçant la vie ou propriété.

Les options disponibles sont :

- Désactivé (par défaut) : désactive la fonction d'alerte météo.
- Tonalité d'avertissement : détecte les tonalités d'alarme d'avertissement (WAT).
- Alerte SAME : détecte les messages de secteur spécifique codé (SAME).

Numéro de fréquence	Valeur (MHz)
4	162,4750
5	162,5000
6	162,5250
7	162,5500

Tableau des fréquences de canal météo

Numéro de fréquence	Valeur (MHz)
1	162,4000
2	162,4250
3	162,4500

IL EXISTE DEUX MODES D'OPÉRATION DES ALERTES MÉTÉO :

7. En mode Canal météo, la radio est en sourdine jusqu'à ce qu'elle détecte la tonalité d'alarme ou le signal SAME. À la réception d'une tonalité d'alarme, la radio désactive la sourdine et permet à l'utilisateur d'entendre le message d'alerte météo.
8. En mode bidirectionnel (sur canal à deux voies), la fonction d'alertes météo devient une fonction spéciale de balayage. La radio balaye les signaux entre le canal à deux voies actuellement sélectionné et le canal météo choisi. Lorsque la radio détecte une tonalité d'alerte ou un signal SAME sur le canal météo, elle désactive la sourdine pour permettre à l'utilisateur d'entendre le message d'alerte météo. Pour la tonalité d'alerte, la radio reste en mode de réception jusqu'à ce que le signal météo devienne faible ou que l'utilisateur appuie sur le bouton PTT ou change le canal à l'aide du bouton du sélecteur de canal. Pour l'alerte SAME, la radio reste en mode de réception ou revient en mode bidirectionnel en fonction de la position du EOM activé.

Avertissement : La radio RDX ne détecte pas d'alerte météo pendant qu'elle reçoit ou transmet sur un canal à deux voies.

EOM activé

Cette fonctionnalité est uniquement disponible pour le mode d'alerte SAME et n'est en vigueur que lorsque la radio fonctionne en mode bidirectionnel ou canal météo. Lorsque la fonction est activée et la radio en mode bidirectionnel, celle-ci revient au canal bidirectionnel et poursuit la détection des alertes météo après avoir reçu un signal de fin de message (EOM). Dans le cas du canal météo, la radio désactive le son et poursuit la détection de nouvelles alertes SAME après avoir reçu le signal EOM. Lorsque la fonction est désactivée, la radio reste en mode de réception jusqu'à ce que le signal météo devienne faible ou que l'utilisateur appuie sur le bouton PTT ou change le canal à l'aide du bouton du sélecteur de canal.

Minuterie de nouvelle tonalité d'alerte

Sélectionnez un moment prédéfini pour que la radio émette la nouvelle tonalité d'alerte. Lorsque la radio reçoit un nouveau message d'alerte SAME, l'écran à DEL s'allume et la radio commence à émettre la

nouvelle tonalité d'alerte à la fin du message. Les utilisateurs ont la possibilité de configurer la durée pendant laquelle la tonalité d'alerte est entendue.

Les options disponibles sont :

- 0 - Indéfiniment, jusqu'à ce que l'utilisateur appuie sur un bouton ou change de canal, ou que le nouveau message d'alerte arrive à expiration.
- 5 minutes.
- 10 minutes.
- 30 minutes.

Remarque : La durée du message d'alerte est incorporée dans le message SAME. La radio RDX continue à afficher l'alerte jusqu'à l'heure d'expiration.

FILTRE DE TYPE D'ÉVÉNEMENT

La radio RDX est une radio météo programmable qui permet aux utilisateurs de choisir le type d'avertissements et de veilles météorologiques qui déclencheront une alarme. La radio peut être programmée pour autoriser ou bloquer un événement en fonction de son type.

Tous les événements

Lorsque cette case est cochée, la radio permet de recevoir tous les événements SAME.

Événement de test d'alarme

Quand l'alerte SAME est activée, la radio répond à n'importe quel événement de test. Lorsque cette option est sélectionnée, la radio alerte de la même manière que dans le cas des autres messages d'alerte SAME. Lorsque cette option n'est pas cochée, la radio affiche uniquement le message et active le voyant DEL d'alerte sans désactiver la sourdine. La radio ne doit pas faire entendre la nouvelle tonalité d'alerte à ce moment.

Remarque : Quelle que soit la manière dont l'utilisateur a programmé le filtre d'événements, certains événements critiques ne peuvent pas être bloqués.

Le National Weather Service diffuse un test d'alerte chaque semaine, le mercredi entre 11 h et midi. Les utilisateurs doivent utiliser ce test d'alerte pour s'assurer que leur radio fonctionne correctement. Voir aussi : le tableau des événements critiques.

AVERTISSEMENT

Lorsque cette case est cochée, la radio autorise tous les événements d'avertissement. Les événements d'avertissement sont des événements qui en eux-mêmes représentent une menace significative à la sécurité publique ou à la propriété.

Remarque : Quelle que soit la manière dont l'utilisateur a programmé le filtre d'événements, certains événements critiques ne peuvent pas être bloqués. Voir aussi : «Tableau des événements critiques» à la page 57

VEILLE

Lorsque cette case est cochée, la radio autorise tous les événements de veille. Les veilles sont des événements qui répondent à la classification d'un

avertissement, mais dont l'heure prévue, la probabilité d'occurrence ou l'emplacement sont incertains.

Remarque : Quelle que soit la manière dont l'utilisateur a programmé le filtre d'événements, certains événements critiques ne peuvent pas être bloqués. Voir aussi : «Tableau des événements critiques» à la page 57

URGENCE

Lorsque cette case est cochée, la radio autorise tous les événements d'urgence. Un événement d'urgence est un événement qui, par lui-même, ne risque pas de tuer ou de blesser, ni de causer des dommages matériels, mais qui peut indirectement être à l'origine d'autres événements susceptibles de provoquer une situation dangereuse.

Remarque : Quelle que soit la manière dont l'utilisateur a programmé le filtre d'événements, certains événements critiques ne peuvent pas être bloqués. Voir aussi : «Tableau des événements critiques» à la page 57

COMMUNIQUÉ

Lorsque cette case est cochée, la radio autorise tous les événements de communiqué. Un communiqué est un message contenant des informations de suivi pour un avertissement, une veille ou une urgence.

Remarque : Quelle que soit la manière dont l'utilisateur a programmé le filtre d'événements, certains événements critiques ne peuvent pas être bloqués. Voir aussi : «Tableau des événements critiques» à la page 57

FILTRE DE CODE D'ÉVÉNEMENT

Un événement SAME spécifique peut être autorisé ou bloqué. Un maximum de cinq codes d'événements peut être programmé.

BLOCAGE D'ÉVÉNEMENT

Lorsque cette option est cochée, les codes d'événements entrés ci-dessous sont bloqués.

Remarque : Quelle que soit la manière dont l'utilisateur a programmé le filtre d'événements, certains événements critiques ne peuvent pas être bloqués.

Voir aussi : «Tableau des événements critiques» à la page 57

CODE D'ÉVÉNEMENT

Le champ Code d'événement accepte le caractère générique (*). Les exemples ci-dessous représentent des formats de codes d'événements valides.

- « *** » - tous les événements
- FL « * » – FLA ou FLW
- FLA

Le champ laissé vide signifie « non programmé » et la radio l'ignorera sans faire quoi que ce soit.

Remarque : Quelle que soit la manière dont l'utilisateur a programmé le filtre d'événements, certains événements critiques ne peuvent pas être bloqués. Voir aussi : «Tableau des événements critiques» à la page 57

TABLEAU DES ÉVÉNEMENTS CRITIQUES

Abréviation	Description
BHW	Avertissement de danger biologique
CDW	Avertissement de danger civil
CEM	Message d'urgence civile
CHW	Avertissement de danger chimique
CWW	Avertissement d'eau contaminée
DBW	Avertissement de rupture de barrage
DEW	Avertissement de maladie infectieuse

Abréviation	Description
EAN	Notification d'action d'urgence
EAT	Fin d'action d'urgence
EQW	Avertissement de tremblement de terre
EVI	Évacuation immédiate
FCW	Avertissement de contamination des aliments
HMW	Avertissement de matériaux dangereux
HUW	Avertissement d'ouragan

Abréviation	Description
IEW	Avertissement d'évacuation immédiate
IFW	Avertissement d'incendie industriel
LAE	Urgence de zone locale
LEW	Avertissement pour les autorités
LSW	Avertissement de glissement de terrain
NHW	Avertissement de danger national
NUW	Avertissement de centrale nucléaire

Abréviation	Description
RHW	Avertissement de danger d'irradiation
SPW	Avertissement de mise à l'abri sur place
TOR	Avertissement de tornade
TOW	Avertissement de tornade
TRW	Avertissement de tempête tropicale
TSA	Veille de tsunami
TSW	Avertissement de tsunami

Abréviation	Description
VOW	Avertissement de volcan
WFW	Avertissement de feu incontrôlé

FILTRE GÉOGRAPHIQUE

Un maximum de 6 codes géographiques peut être programmé. Lorsque tous les champs sont désélectionnés, ou que l'un des codes géographiques est « TOUT » à la fois pour l'État et pour le comté (le code FIPS est « 000000 »), la radio ignore la vérification du filtre géographique.

Il existe deux méthodes pour entrer le code géographique :

- Sélection des codes de région et de comté
- Saisie du code FIPS directement (doit compter 6 chiffres)

ÉTAT

Sélectionnez l'État, le territoire ou le territoire outre-mer (zone marine) (SS) pour lequel la radio doit transmettre les alertes.

COMTÉ

Sélectionnez un comté, une province ou une région métropolitaine (CCC) pour lequel ou laquelle la radio doit transmettre les alertes.

FIPS

Le code FIPS (Federal Information Processing Standards) contient 6 chiffres qui représentent la valeur PSSCCC, où P est le code de région, SS est le code d'État et CCC est le code de comté.

Entrez ou modifiez un code FIPS spécifique lorsque nécessaire.

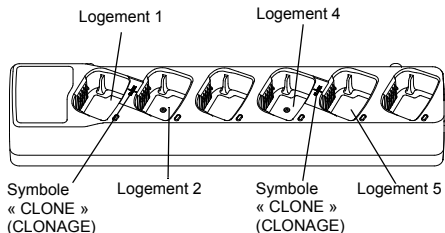
Vous trouverez plus d'information au sujet des FIPS à l'adresse www.nws.noaa.gov/nwr/indexnw.htm. Vous pouvez également appeler le numéro sans frais du National Weather Service - 1888-NWS-SAME (1-888-697-7263).

CLONAGE DE RADIOS

Vous pouvez cloner les profils de radio Série RDX d'une radio source vers une radio cible en utilisant l'une de ces trois méthodes :

- avec un chargeur multi-unités (MUC – accessoire en option),
- avec deux chargeurs à unité simple (SUC) et un câble de clonage de radio à radio (accessoire en option),
- à partir du CPS (logiciel à téléchargement gratuit)

Clonage avec un chargeur multi-unités (MUC)



Pour cloner des radios en utilisant le MUC, vous devez disposer d'au moins deux radios :

- une radio source (radio dont les profils doivent être clonés ou copiés) et
- une radio cible (radio vers laquelle les profils de la radio source seront clonés)

La radio source doit être placée dans le logement 1, 3 ou 5 et la radio cible, dans le logement 2, 4 ou 6 en utilisant l'une des paires de logements du MUC ci-dessous :

- 1 et 2 ou
- 3 et 4 ou
- 5 et 6 (*).

Durant le clonage, il n'est pas nécessaire que le chargeur MUC soit relié à une source d'alimentation; toutefois, TOUTES les radios doivent contenir une batterie chargée.

1. Allumez la radio cible et placez-la dans l'un des logements cibles du MUC.
2. Allumez la radio source selon la séquence ci-dessous :
 - Appuyez longuement sur les boutons

PTT et SB2 en même temps lorsque vous allumez la radio.

- Tenez ces boutons enfoncés pendant trois secondes jusqu'à ce que vous entendiez la tonalité audible de « Clonage ».

3. Placez la radio source dans le logement source apparié au logement cible choisi à l'étape 1. Appuyez sur le bouton SB1, puis relâchez-le.
4. Une fois le clonage terminé, la radio source émet une tonalité pour indiquer que le clonage est une « réussite » ou un « échec ». La tonalité de « réussite » ressemble à une tonalité qui paraît normale, tandis que le signal d'« échec » ressemble à un coup. Si la radio source est un modèle avec afficheur, l'écran affichera « Réussite » ou « Échec » (une tonalité sera entendue au bout de cinq secondes).
5. Lorsque vous avez terminé le processus de clonage, éteignez et rallumez les radios, ou encore, appuyez longuement sur le bouton PTT

pour quitter le mode de clonage.

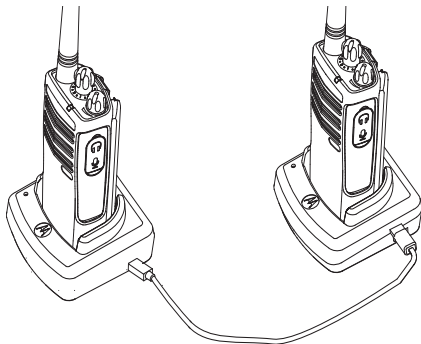
Pour obtenir de plus amples détails sur la façon de cloner des radios, consultez la feuille d'instructions fournie avec le MUC.

Pour commander le MUC, indiquez le numéro de pièce RLN6309_.

Remarques :

- Si le clonage échoue, reportez-vous à «Que faire si le clonage échoue?» à la page 63.
- Les radios cibles et les radios sources appariées doivent utiliser la même bande de fréquence pour assurer la réussite du clonage.
- Les numéros des logements du MUC doivent être lus de la gauche vers la droite, le logo Motorola Solutions étant tourné vers l'avant.

Clonage de la radio au moyen du câble de clonage de radio à radio (R2R) (accessoire en option)



Consignes d'utilisation

1. Avant de commencer le processus de clonage, assurez-vous d'avoir sous la main :
 - Une batterie entièrement chargée dans chaque radio.
 - Deux chargeurs pour appareil unique (SUC).

- Éteignez les radios et
 - assurez-vous que les deux radios sont du même modèle.
2. débranchez tous les câbles (câbles d'alimentation ou USB) des SUC.
 3. Branchez une extrémité du miniconnecteur USB du câble de clonage dans le premier SUC et l'autre extrémité, dans le second SUC.

Remarque : Pendant le processus de clonage, les SUC ne seront pas alimentés. Les batteries ne seront pas chargées. Seule la communication de données est établie entre les deux radios.

4. Allumez la radio cible et placez-la dans l'un des SUC.
5. Allumez la radio source selon la séquence ci-dessous :
 - Au moment de mettre la radio en marche, appuyez longuement sur les boutons PTT et SB2.
 - Attendez trois secondes avant de relâcher les boutons jusqu'à ce que vous entendiez une tonalité audible.

6. Placez la radio source dans son SUC, puis appuyez brièvement sur le bouton SB1.
 7. Une fois le clonage terminé, la radio source émet une tonalité pour indiquer que le clonage est une « réussite » ou un « échec ». La tonalité de « réussite » ressemble à une tonalité qui paraît normale, tandis que le signal d'« échec » ressemble à un coup. Si la radio source est un modèle avec afficheur, l'écran affichera « Réussite » ou « Échec » (une tonalité sera entendue au bout de cinq secondes).
 8. Lorsque vous avez terminé le processus de clonage, éteignez et rallumez les radios pour quitter le mode de clonage.
2. Vérifiez la connexion du câble de clonage des deux SUC.
 3. Assurez-vous que la batterie est bien insérée dans la radio.
 4. Assurez-vous qu'il n'y a pas de saleté dans le support de charge ou sur les bornes de la radio.
 5. Assurez-vous que la radio cible est bien allumée.
 6. Assurez-vous que la radio source est bien en mode de clonage.
 7. Assurez-vous que les deux radios ont la même bande de fréquence, qu'elles se trouvent dans la même région et qu'elles ont la même puissance de transmission.

Que faire si le clonage échoue?

La radio émet un signal d'échec audible pour indiquer que le clonage a échoué. En cas d'échec du clonage, suivez chacune des étapes ci-dessous avant de faire une nouvelle tentative de clonage.

1. Assurez-vous que les batteries des deux radios sont totalement chargées.

Remarque : Ce câble de clonage est conçu pour fonctionner uniquement avec des SUC RLN6175_ et RLN6304_ Motorola Solutions compatibles.

Pour commander un câble de clonage en option, indiquez le numéro de pièce RLN6303_. Pour plus d'informations sur les accessoires, reportez-vous à «Accessoires» à la page 90.

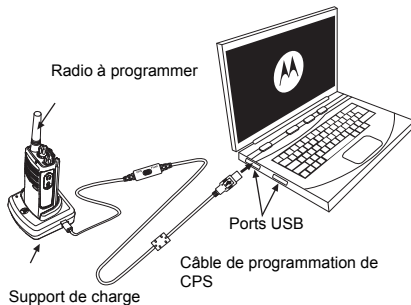
Clonage à partir du logiciel de programmation client (CPS)

Lorsque vous effectuez un clonage en utilisant cette méthode, vous avez besoin du logiciel CPS, d'un chargeur instantané et du câble de programmation CPS.

Pour commander le câble de programmation CPS, veuillez vous reporter au numéro de pièce RKN4155_.

Pour obtenir de plus amples renseignements au sujet du clonage à partir du CPS, veuillez consulter :

- le fichier d'aide CPS --> Contenu et index --> Clonage de radios ou
- le feuillet sur les accessoires pour le câble de programmation CPS.



REMARQUES

DÉPANNAGE

<i>Symptôme</i>	<i>Essayez ceci...</i>
Absence d'alimentation	<p>Rechargez ou remplacez la batterie au lithium-ion.</p> <p>Des températures de fonctionnement extrêmes peuvent diminuer l'autonomie de la batterie.</p> <p>Consultez la section «À propos de la batterie lithium-ion» à la page 18.</p>
Entente d'autres bruits ou conversations sur un canal	<p>Confirmez que le code de réduction d'interférence est programmé.</p> <p>La fréquence ou le code de réduction d'interférence peuvent être utilisés.</p> <p>Modifier les paramètres : modifiez les fréquences ou les codes sur toutes les radios.</p> <p>Assurez-vous que la radio est à la fréquence et au code appropriés au moment de la transmission.</p> <p>Consultez la section «Conversation et contrôle» à la page 31.</p>
Message brouillé	<p>Le code de brouillage peut être activé ou le réglage ne correspond pas aux paramètres des autres radios.</p>

Symptôme	Essayez ceci...
Qualité audio insuffisante	Les paramètres des radios peuvent ne pas concorder. Revérifiez les fréquences, les codes et les bandes passantes afin d'assurer qu'ils sont les mêmes pour toutes les radios.
Portée de communication limitée	<p>La présence de structures en acier ou en béton, de feuillage dense, de bâtiments ou de véhicules peuvent diminuer la portée de communication. Les radios doivent être en ligne directe pour obtenir une bonne qualité de transmission.</p> <p>La portée de communication de la radio est diminuée si vous la portez près du corps, par exemple, dans votre poche ou à votre ceinture. Changez l'emplacement de la radio. Pour accroître la portée et la couverture, vous pouvez réduire les obstacles et augmenter la puissance. Les radios UHF ont une meilleure couverture dans les bâtiments industriels et commerciaux.</p> <p>Le fait d'augmenter la puissance fournit une meilleure portée du signal et une pénétration accrue à travers les obstacles.</p> <p>Consultez la section «Conversation et contrôle» à la page 31.</p>

Symptôme	Essayez ceci...
Message non transmis ou reçu	<p>Assurez-vous de relâcher complètement le bouton PTT quand vous transmettez.</p> <p>Confirmez que les radios ont un canal, une fréquence, un code de réduction d'interférence et des paramètres de code de brouillage identiques. Reportez-vous à la «Conversation et contrôle» à la page 31 pour plus d'information.</p> <p>Rechargez, remplacez ou réinstallez les batteries. Reportez-vous à la section «À propos de la batterie lithium-ion» à la page 18.</p> <p>La présence d'obstacles ou l'utilisation à l'intérieur d'un bâtiment ou d'un véhicule peuvent être associées à de l'interférence. Changez d'emplacement. Reportez-vous à la section «Conversation et contrôle» à la page 31.</p> <p>Assurez-vous que la radio n'est pas en mode balayage. Reportez-vous à «Balayage» à la page 46 et à «Suppression d'un canal nuisible» à la page 47.</p>
Statique ou interférence excessive	<p>Les radios sont trop proches; elles doivent être éloignées d'au moins 1,5 m (5 pi).</p> <p>Les radios sont trop éloignées ou des obstacles gênent la transmission. Reportez-vous à la section «Conversation et contrôle» à la page 31.</p>
Batteries faibles	<p>Rechargez ou remplacez la batterie au lithium-ion.</p> <p>Des températures de fonctionnement extrêmes peuvent diminuer l'autonomie de la batterie.</p> <p>Reportez-vous à la section «À propos de la batterie lithium-ion» à la page 18.</p>

Symptôme	Essayez ceci...
Le voyant à DEL du chargeur ne clignote pas	<p>Vérifiez que la radio/batterie est correctement insérée dans le support de charge, que les bornes de la batterie et du chargeur sont propres et que la broche de charge est convenablement insérée.</p> <p>Reportez-vous à «Charge de la batterie» à la page 24 «Voyants DEL du chargeur instantané» à la page 26 et à «Installation de la batterie au lithium-ion (Li-Ion)» à la page 20.</p>
L'indicateur de batterie faible clignote, même si les batteries sont neuves	<p>Reportez-vous à «Installation de la batterie au lithium-ion (Li-Ion)» à la page 20 et à «À propos de la batterie lithium-ion» à la page 18.</p>
Impossible d'activer la fonction VOX	<p>La fonction VOX peut être réglée à DÉSACTIVÉE.</p> <p>Utilisez le CPS pour vous assurer que le niveau de sensibilité VOX n'est pas réglé à « 0 ».</p> <p>L'accessoire ne fonctionne pas ou n'est pas compatible.</p> <p>Reportez-vous à la section «Utilisation en mains libres/VOX» à la page 35.</p>

<i>Symptôme</i>	<i>Essayez ceci...</i>
<p>La batterie ne se charge pas, même si elle a été placée dans le support de charge pendant un long moment</p>	<p>Vérifiez que le support de charge est bien branché et compatible avec la source d'alimentation utilisée.</p> <p>Reportez-vous à «Charge de la batterie avec le support de charge pour unité simple DLR (SUC)» à la page 24 et à «Charge d'une batterie autonome» à la page 25.</p> <p>Vérifiez si les voyants à DEL du chargeur indiquant la présence d'un problème. Reportez-vous à la section «Voyants DEL du chargeur instantané» à la page 26.</p>
<p>Le clonage des messages vocaux définis par l'utilisateur ne fonctionne pas.</p>	<p>Vérifiez la plaque signalétique avant de la radio. Les radios avec une police de couleur orange ne prennent pas en charge les messages vocaux définis par l'utilisateur.</p>

Remarque : Si une valeur utilisée pour une fonction de la radio semble ne pas correspondre à la valeur par défaut ou à la valeur préprogrammée, vérifiez si un profil personnalisé a été programmé dans la radio à partir du CPS.

REMARQUES

UTILISATION ET ENTRETIEN



Utilisez un chiffon doux humide
pour nettoyer l'extérieur

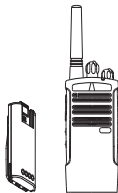


Ne plongez pas la
radio dans l'eau



N'utilisez jamais d'alcool
ni de détergents

Si la radio est immergée dans l'eau...



Éteignez la radio et
retirez les batteries



Séchez avec un
chiffon doux



N'utilisez pas la radio tant qu'elle n'est
pas complètement sèche

REMARQUES

GRAPHIQUES DES FRÉQUENCES ET DES CODES

RDX - TABLEAU DES FRÉQUENCES VHF

Les tableaux de cette section fournissent des renseignements relatifs aux fréquences et aux codes. Ces tableaux sont utiles lorsque vous utilisez les radios bidirectionnelles Motorola Solutions de série RDX avec d'autres radios professionnelles.

Fréquences VHF - BRUS

N° de fréquence	Fréquence (MHz)	Bande passante
1(*)	151,6250	12,5 kHz
2(*)	151,9550	12,5 kHz
3	152,8850	12,5 kHz
4	152,9150	12,5 kHz
5	151,7000	12,5 kHz
6	151,7600	12,5 kHz
7	152,9450	12,5 kHz
8	151,8350	12,5 kHz
9	151,8050	12,5 kHz
10(*)	151,5125	12,5 kHz
11	151,6550	12,5 kHz
12(*)	151,6850	12,5 kHz
13	151,7150	12,5 kHz
14	151,7450	12,5 kHz

N° de fréquence	Fréquence (MHz)	Bande passante
15(*)	151,7750	12,5 kHz
16	151,8650	12,5 kHz
17	151,8950	12,5 kHz
18	151,9250	12,5 kHz
19	152,9000	12,5 kHz
20(*)	154,4900	12,5 kHz
21(*)	154,5150	12,5 kHz
22	154,5275	12,5 kHz
23	154,5400	12,5 kHz
24	153,0050	12,5 kHz
25	154,5475	12,5 kHz
26	158,4000	12,5 kHz
27	158,4075	12,5 kHz

Remarque : Fréquences par défaut (*)

Remarque : (*) Avertissement, fréquence de réception seulement

Fréquences VHF par défaut des radios RDX à 10 canaux - RDV5100

Canal	N° de fréquence	Fréquence (MHz)	N° de code	Code	Bande passante
1	1	151,6250	1	67,0 Hz	12,5 kHz
2	1	151,6250	4	77,0 Hz	12,5 kHz
3	1	151,6250	8	88,5 Hz	12,5 kHz
4	1	151,6250	29	179,9 Hz	12,5 kHz
5	1	151,6250	0	-	12,5 kHz
6	2	151,9550	1	67,0 Hz	12,5 kHz
7	2	151,9550	6	82,5 Hz	12,5 kHz
8	WC	162,4000	10	67,0 Hz	25,0 kHz
9	2	151,9550	29	179,9 Hz	12,5 kHz
10	2	151,9550	0	-	12,5 kHz

Remarques : WC = Fréquence de canal météo

RDX - TABLEAU DES FRÉQUENCES UHF

RDX - Fréquences UHF

N° de fréquence	Fréquence (MHz)	Bande passante
1	464,5000	12,5 kHz
2	464,5500	12,5 kHz
*3	467,7625	12,5 kHz
*4	467,8125	12,5 kHz
*5	467,8500	12,5 kHz
*6	467,8750	12,5 kHz
*7	467,9000	12,5 kHz
*8	467,9250	12,5 kHz
9	461,0375	12,5 kHz
10	461,0625	12,5 kHz
11	461,0875	12,5 kHz
12	461,1125	12,5 kHz
13	461,1375	12,5 kHz
14	461,1625	12,5 kHz

N° de fréquence	Fréquence (MHz)	Bande passante
15	461,1875	12,5 kHz
16	461,2125	12,5 kHz
17	461,2375	12,5 kHz
18	461,2625	12,5 kHz
19	461,2875	12,5 kHz
20	461,3125	12,5 kHz
21	461,3375	12,5 kHz
22	461,3625	12,5 kHz
*23	462,7625	12,5 kHz
*24	462,7875	12,5 kHz
*25	462,8125	12,5 kHz
*26	462,8375	12,5 kHz
*27	462,8625	12,5 kHz
*28	462,8875	12,5 kHz

RDX - Fréquences UHF (suite)

N° de fréquence	Fréquence (MHz)	Bande passante
*29	462,9125	12,5 kHz
30	464,4875	12,5 kHz
31	464,5125	12,5 kHz
32	464,5375	12,5 kHz
33	464,5625	12,5 kHz
34	466,0375	12,5 kHz
35	466,0625	12,5 kHz
36	466,0875	12,5 kHz
37	466,1125	12,5 kHz
38	466,1375	12,5 kHz
39	466,1625	12,5 kHz
40	466,1875	12,5 kHz
41	466,2125	12,5 kHz
42	466,2375	12,5 kHz
43	466,2625	12,5 kHz
44	466,2875	12,5 kHz
45	466,3125	12,5 kHz
46	466,3375	12,5 kHz

N° de fréquence	Fréquence (MHz)	Bande passante
47	466,3625	12,5 kHz
*48	467,7875	12,5 kHz
*49	467,8375	12,5 kHz
*50	467,8625	12,5 kHz
*51	467,8875	12,5 kHz
*52	467,9125	12,5 kHz
53	469,4875	12,5 kHz
54	469,5125	12,5 kHz
55	469,5375	12,5 kHz
56	469,5625	12,5 kHz
57	462,1875	12,5 kHz
58	462,4625	12,5 kHz
59	462,4875	12,5 kHz
60	462,5125	12,5 kHz
61	467,1875	12,5 kHz
62	467,4625	12,5 kHz
63	467,4875	12,5 kHz
64	467,5125	12,5 kHz

RDX - Fréquences UHF (suite)

N° de fréquence	Fréquence (MHz)	Bande passante
65	451,1875	12,5 kHz
66	451,2375	12,5 kHz
67	451,2875	12,5 kHz
68	451,3375	12,5 kHz
69	451,4375	12,5 kHz
70	451,5375	12,5 kHz
71	451,6375	12,5 kHz
72	452,3125	12,5 kHz
73	452,5375	12,5 kHz
74	452,4125	12,5 kHz
75	452,5125	12,5 kHz
76	452,7625	12,5 kHz
77	452,8625	12,5 kHz
78	456,1875	12,5 kHz
79	456,2375	12,5 kHz
80	456,2875	12,5 kHz
81	456,3375	12,5 kHz
82	456,4375	12,5 kHz

N° de fréquence	Fréquence (MHz)	Bande passante
82	456,4375	12,5 kHz
83	456,5375	12,5 kHz
84	456,6375	12,5 kHz
85	457,3125	12,5 kHz
86	457,4125	12,5 kHz
87	457,5125	12,5 kHz
88	457,7625	12,5 kHz
89	457,8625	12,5 kHz
90	468,2125	12,5 kHz
91	468,2625	12,5 kHz
92	468,3125	12,5 kHz
93	468,3625	12,5 kHz
94	468,4125	12,5 kHz
95	468,4625	12,5 kHz
96	468,5125	12,5 kHz
97	468,5625	12,5 kHz
98	468,6125	12,5 kHz
99	468,6625	12,5 kHz

Remarque : (*) Fréquence limitée à une puissance maximale de sortie de 2W.

RDU4100 - TABLEAU DES FRÉQUENCES UHF PAR DÉFAUT

Fréquences par défaut des radios RDX à 10 canaux - RDU4100

Canal	N° de fréquence	Fréquence (MHz)	Code n°	Code	Bande passante
1	1	464,5000	1	67,0 Hz	12,5 kHz
2	1	464,5000	4	77,0 Hz	12,5 kHz
3	1	464,5000	8	88,5 Hz	12,5 kHz
4	1	464,5000	29	179,9 Hz	12,5 kHz
5	1	464,5000	0	-	12,5 kHz
6	2	464,5500	1	67,0 Hz	12,5 kHz
7	2	464,5500	6	82,5 Hz	12,5 kHz
8	WC	162,4000	10	67,0 Hz	25,0 kHz
9	2	464,5500	29	179,9 Hz	12,5 kHz
10	2	464,5500	0	-	12,5 kHz

Remarque : WC = Fréquence de canal météo

RDU4103 - TABLEAU DES FRÉQUENCES UHF PAR DÉFAUT

Fréquences par défaut des radios RDX à 10 canaux - RDU4103

Canal	N° de fréquence	Fréquence (MHz)	Code n°	Code	Bande passante
1	1	458,6625	1	67,0 Hz	12,5 kHz
2	2	469,2625	1	67,0 Hz	12,5 kHz
3	1	458,6625	2	71,9 Hz	12,5 kHz
4	2	469,2625	2	71,9 Hz	12,5 kHz
5	1	458,6625	3	74,4 Hz	12,5 kHz
6	2	469,2625	3	74,4 Hz	12,5 kHz
7	1	458,6625	4	77,0 Hz	12,5 kHz
8	2	469,2625	4	77,0 Hz	12,5 kHz
9	1	458,6625	5	79,7 Hz	12,5 kHz
10	2	469,2625	5	79,7 Hz	12,5 kHz

Remarque : WC = Fréquence de canal météo

CODES CTCSS ET PL/DPL

Codes CTCSS

CTCSS	Hz
1	67,0
2	71,9
3	74,4
4	77,0
5	79,7
6	82,5
7	85,4
8	88,5
9	91,5
10	94,8
11	97,4
12	100,0
13	103,5

CTCSS	Hz
14	107,2
15	110,9
16	114,8
17	118,8
18	123
19	127,3
20	131,8
21	136,5
22	141,3
23	146,2
24	151,4
25	156,7
26	162,2

CTCSS	Hz
27	167,9
28	173,8
29	179,9
30	186,2
31	192,8
32	203,5
33	210,7
34	218,1
35	225,7
36	233,6
37	241,8
38	250,3
122 (*)	69,3

Remarque : (*) Nouveau code CTCSS.

Codes PL/DPL

DPL	Code
39	23
40	25
41	26
42	31
43	32
44	43
45	47
46	51
47	54
48	65
49	71
50	72
51	73
52	74
53	114
54	115

DPL	Code
55	116
56	125
57	131
58	132
59	134
60	143
61	152
62	155
63	156
64	162
65	165
66	172
67	174
68	205
69	223
70	226

DPL	Code
71	243
72	244
73	245
74	251
75	261
76	263
77	265
78	271
79	306
80	311
81	315
82	331
83	343
84	346
85	351
86	364

Codes PL/DPL (suite)

DPL	Code
87	365
88	371
89	411
90	412
91	413
92	423
93	431
94	432
95	445
96	464
97	465
98	466
99	503
100	506
101	516
102	532
103	546

DPL	Code
104	565
105	606
106	612
107	624
108	627
109	631
110	632
111	654
112	662
113	664
114	703
115	712
116	723
117	731
118	732
119	734
120	743

DPL	Code
121	754
123	645
124	PL personnalisé
125	PL personnalisé
126	PL personnalisé
127	PL personnalisé
128	PL personnalisé
129	PL personnalisé
130	DPL 39 inversé
131	DPL 40 inversé
132	DPL 41 inversé
133	DPL 42 inversé
134	DPL 43 inversé
135	DPL 44 inversé
136	DPL 45 inversé
137	DPL 46 inversé
138	DPL 47 inversé

DPL	Code
139	DPL 48 inversé
140	DPL 49 inversé
141	DPL 50 inversé
142	DPL 51 inversé
143	DPL 52 inversé
144	DPL 53 inversé
145	DPL 54 inversé
146	DPL 55 inversé
147	DPL 56 inversé
148	DPL 57 inversé
149	DPL 58 inversé
150	DPL 59 inversé
151	DPL 60 inversé
152	DPL 61 inversé
153	DPL 62 inversé
154	DPL 63 inversé
155	DPL 64 inversé

Codes PL/DPL (suite)

DPL	Code
156	DPL 65 inversé
157	DPL 66 inversé
158	DPL 67 inversé
159	DPL 68 inversé
160	DPL 69 inversé
161	DPL 70 inversé
162	DPL 71 inversé
163	DPL 72 inversé
164	DPL 73 inversé
165	DPL 74 inversé
166	DPL 75 inversé
167	DPL 76 inversé
168	DPL 77 inversé
169	DPL 78 inversé
170	DPL 79 inversé
171	DPL 80 inversé
172	DPL 81 inversé

DPL	Code
173	DPL 82 inversé
174	DPL 83 inversé
175	DPL 84 inversé
176	DPL 85 inversé
177	DPL 86 inversé
178	DPL 87 inversé
179	DPL 88 inversé
180	DPL 89 inversé
181	DPL 90 inversé
182	DPL 91 inversé
183	DPL 92 inversé
184	DPL 93 inversé
185	DPL 94 inversé
186	DPL 95 inversé
187	DPL 96 inversé
188	DPL 97 inversé
189	DPL 98 inversé

Codes PL/DPL (suite)

DPL	Code
190	DPL 99 inversé
191	DPL 100 inversé
192	DPL 101 inversé
193	DPL 102 inversé
194	DPL 103 inversé
195	DPL 104 inversé
196	DPL 105 inversé
197	DPL 106 inversé
198	DPL 107 inversé
199	DPL 108 inversé

DPL	Code
200	DPL 109 inversé
201	DPL 110 inversé
202	DPL 111 inversé
203	DPL 112 inversé
204	DPL 113 inversé
205	DPL 114 inversé
206	DPL 115 inversé
207	DPL 116 inversé
208	DPL 117 inversé
209	DPL 118 inversé

DPL	Code
210	DPL 119 inversé
211	DPL 120 inversé
212	DPL 121 inversé
213	DPL 123 inversé
214	DPL personnalisé
215	DPL personnalisé
216	DPL personnalisé
217	DPL personnalisé
218	DPL personnalisé
219	DPL personnalisé

GARANTIE LIMITÉE DE MOTOROLA SOLUTIONS POUR LES ÉTATS-UNIS ET LE CANADA

Ce que couvre la garantie

Sous réserve des exclusions définies ci-après, Motorola Solutions, Inc. garantit que ses téléphones, téléavertisseurs et radios bidirectionnelles pour usage grand public et professionnel (à l'exclusion des radios pour usage commercial, gouvernemental ou industriel) qui utilisent le service radio familial (FRS) ou le service radio mobile général, les accessoires de marque Motorola Solutions ou certifiés par Motorola Solutions qui sont vendus pour être utilisés avec ces produits (« accessoires ») et les logiciels de Motorola Solutions contenus sur un CD ou autre support tangible qui sont vendus pour être utilisés avec ces produits (« logiciels ») sont exempts de défaut de matériau et de fabrication dans des conditions normales d'utilisation grand public pour la ou les périodes précisées ci-dessous.

Cette garantie limitée est une garantie exclusive au consommateur, et elle s'applique de la manière suivante aux nouveaux produits, accessoires et logiciels de Motorola Solutions achetés par des consommateurs aux États-Unis, qui sont accompagnés de la présente garantie écrite :

Produits et accessoires

Produits couverts par la garantie	Durée de la couverture
Produits et accessoires tels que définis ci-dessus, sous réserve d'autres dispositions dans la présente garantie.	Un (1) an à compter de la date d'achat par le premier utilisateur final du produit, sous réserve d'autres dispositions dans la présente garantie.
Accessoires et étuis décoratifs. Couvercles, cadrans, boîtiers PhoneWrap™ et étuis décoratifs.	Garantie limitée à vie pour la durée d'appartenance au premier acheteur du produit.
Accessoires pour radios bidirectionnelles d'usage commercial	Un (1) an à compter de la date d'achat par le premier utilisateur du produit.
Produits et accessoires réparés ou remplacés.	Durée restante de la garantie d'origine ou quatre-vingt-dix (90) jours à compter de la date du retour effectué par le client, selon la période la plus longue.

Exclusions

Usure normale. L'entretien périodique, les réparations et le remplacement de pièces rendus nécessaires par l'usure normale ne sont pas couverts par la garantie.

Batteries. La garantie limitée ne s'applique qu'aux batteries dont la capacité de charge complète tombe en dessous de 80 % de leur capacité nominale et aux batteries qui fuient.

Usage anormal et abusif. Les défauts et les dommages qui résultent de : (a) l'utilisation ou le rangement inappropriés, l'usage anormal ou abusif, les accidents ou la négligence comme les dommages physiques (fissures, égratignures, etc.) à la surface du produit découlant d'une mauvaise utilisation; (b) le contact avec des liquides, l'eau, la pluie, l'humidité extrême ou une forte transpiration, le sable, la saleté ou toute chose semblable, la chaleur extrême ou la nourriture; (c) l'utilisation de produits ou d'accessoires à des fins commerciales ou à toutes fins soumettant le produit ou l'accessoire à un usage ou des conditions hors du commun; et (d) tout autre acte dont Motorola n'est pas responsable ne sont pas couverts par la garantie.

Utilisation de produits et accessoires non fabriqués par Motorola Solutions. Les défauts ou dommages résultant de l'utilisation de produits, d'accessoires, de logiciels ou de tout autre périphérique non certifié ou de marque autre que Motorola Solutions ne sont pas couverts par la garantie.

Réparations ou modifications non autorisées. Les défauts ou dommages résultant de la réparation, de l'essai, de l'ajustement, de l'installation, de l'entretien, de l'altération ou de la modification, de quelque manière que ce soit, par toute entité autre que Motorola Solutions ou ses centres de service autorisés ne sont pas couverts par la garantie.

Produits altérés. Les Produits ou Accessoires dont : (a) le numéro de série ou l'étiquette de date a été enlevé, altéré ou oblitéré; (b) le sceau est brisé ou affiche des signes évidents de manipulation; (c) les numéros de série des cartes ne correspondent pas, et (d) les pièces ou le boîtier sont de marque autre ou non conformes à Motorola Solutions ne sont pas couverts par la garantie.

Services de communication. Les défauts, dommages ou défaillances du produit, de l'accessoire ou du logiciel causés par tout service de communication ou signal auquel vous êtes abonné ou que vous utilisez avec le produit, l'accessoire ou le logiciel, ne sont pas couverts par la garantie.

Logiciels

Produits couverts par la garantie	Durée de la couverture
<p>Logiciels. S'applique uniquement aux défauts matériels du support contenant la copie du logiciel (p. ex. CD-ROM ou disquette).</p>	<p>Quatre-vingt-dix (90) jours à compter de la date d'achat.</p>

Exclusions

Logiciel contenu sur un support matériel. Motorola Solutions ne garantit pas que ce logiciel satisfera vos exigences ou qu'il fonctionnera en association avec des applications matérielles ou logicielles fournies par des tiers ni que le fonctionnement des produits logiciels se déroulera sans interruption et sans erreur ni que les anomalies présentes dans le logiciel seront corrigées.

Logiciel NON contenu sur un support matériel. Tout logiciel non fourni sur support matériel (p. ex. les logiciels téléchargés à partir d'Internet) est offert « tel quel » et sans garantie.

QUI EST COUVERT?

Cette garantie s'applique uniquement au premier acheteur final et n'est pas transférable.

SERVICE DE GARANTIE OU AUTRES RENSEIGNEMENTS

Adressez-vous à votre point de vente Motorola Solutions.

AVIS DE DROITS D'AUTEUR DU LOGICIEL

Les produits Motorola Solutions décrits dans le présent manuel peuvent inclure un logiciel, sauvegardé dans la mémoire des semi-conducteurs ou ailleurs, et dont les droits d'auteur appartiennent à Motorola Solutions ou à un tiers. La législation américaine et d'autres pays protège certains droits exclusifs que possèdent Motorola Solutions et les fournisseurs tiers de logiciels sur des logiciels protégés par le droit d'auteur, tels que le droit exclusif de distribuer ou de reproduire le logiciel protégé par le droit d'auteur. Par conséquent, tout logiciel protégé par le droit d'auteur et qui est compris dans les produits Motorola Solutions ne peut être modifié, désassemblé, distribué ou reproduit de quelque façon que ce soit dans la mesure prévue par la loi. De plus, l'achat de produits Motorola Solutions ne signifie pas accorder, directement ou implicitement, par préclusion ou autre moyen, une quelconque licence en vertu des droits d'auteur, des brevets ou des applications brevetées de Motorola Solutions ou d'un fournisseur tiers de logiciels, sauf la licence d'utilisation normale, non exclusive, sans droit

d'auteur et prévue par la loi lors de la vente d'un produit.

AVIS RELATIF AUX BREVETS

Ce produit est protégé par un ou plusieurs des brevets déposés aux États-Unis suivants :

5896277 5894292 5864752 5699006 5742484
D408396 D399821 D387758 D389158 5894592
5893027 5789098 5734975 5861850 D395882
D383745 D389827 D389139 5929825 5926514
5953640 6071640 D413022 D416252 D416893
D433001

ASSURANCES DÉCOULANT DES LOIS SUR L'EXPORTATION

Ce produit est régi par les règlements sur l'exportation des États-Unis d'Amérique. Les gouvernements des États-Unis d'Amérique peuvent restreindre l'exportation ou la réexportation de ce produit vers certaines destinations. Pour de plus amples informations, veuillez communiquer avec le département du Commerce des États-Unis.

ACCESSOIRES

ANTENNE

N° de pièce	Description
RAN4031	Antenne courte UHF 438 à 470 MHz
RAN4041	Antenne hélicoïdale VHF (146 à 174 MHz)
RAN4033	Antenne tronquée UHF (438 à 470 MHz)

ACCESSOIRES AUDIO

N° de pièce	Description
HKLN4601	Oreillette de surveillance BR
53815	Casque avec microphone monté sur tige BR

N° de pièce	Description
HMN4606	Microphone haut-parleur distant BR
53865	Écouteurs avec microphone monté sur tige pivotant
HKLN4599	Écouteurs avec microphone intégré pivotant
HKLN4604	Oreillette BR

BATTERIE

N° de pièce	Description
RLN6308	Batterie au lithium-ion haute capacité
RLN6351	Pile standard aux ions de lithium

CÂBLES

N° de pièce	Description
RLN6303	Câble de clonage radio à radio
RKN4155	Câble de programmation de CPS

CHARGEURS

N° de pièce	Description
RLN6304	Trousse de chargement rapide ACCY – Amériques (*)
RLN6309	Ensemble de chargeur multi-unités (MUC) – Amérique du Nord
RLN6175	Chargeur instantané standard

ACCESSOIRES DE TRANSPORT

N° de pièce	Description
RLN6307	Pince de ceinture à ressort
RLN6302	Étuis de transport en cuir rigide

APPLICATIONS LOGICIELLES

N° de pièce	Description
RVN5147	Logiciel CPS (programmation client)

ADAPTATEURS C.A. À BROCHES POUR BLOCS D'ALIMENTATION

N° de pièce	Description
RLN6349	Adaptateur c.a. à broches pour Amérique du Nord

BLOCS D'ALIMENTATION

N° de pièce	Description
RPN4054	Bloc d'alimentation standard fixe américain
RPN4058	Bloc d'alimentation c.a. à broches à échange standard
PMPN4005	Bloc d'alimentation c.a. à broches à échange rapide

Remarque : Certains accessoires peuvent être ou ne pas être disponibles au moment de l'achat. Pour obtenir les informations les plus récentes sur les accessoires, veuillez communiquer avec votre détaillant Motorola Solutions ou visiter le www.motorolasolutions.com/RDX.

(*) L'ensemble de charge rapide pour les Amériques comprend un bloc d'alimentation, un support de chargeur et les adaptateurs c.a. à broches.

REMARQUES



MOTOROLA SOLUTIONS

Motorola Solutions, Inc.
1301 E. Algonquin Rd.
Schaumburg, IL 60196-1078, U.S.A.
<http://www.motorolasolutions.com>

MOTOROLA, MOTO, MOTOROLA SOLUTIONS and the Stylized M logo are trademarks or registered trademarks of Motorola Trademark Holdings, LLC and are used under license. All other trademarks are the property of their respective owners.

© 2016 Motorola Solutions, Inc.
All rights reserved.



MN002895A01-AB

